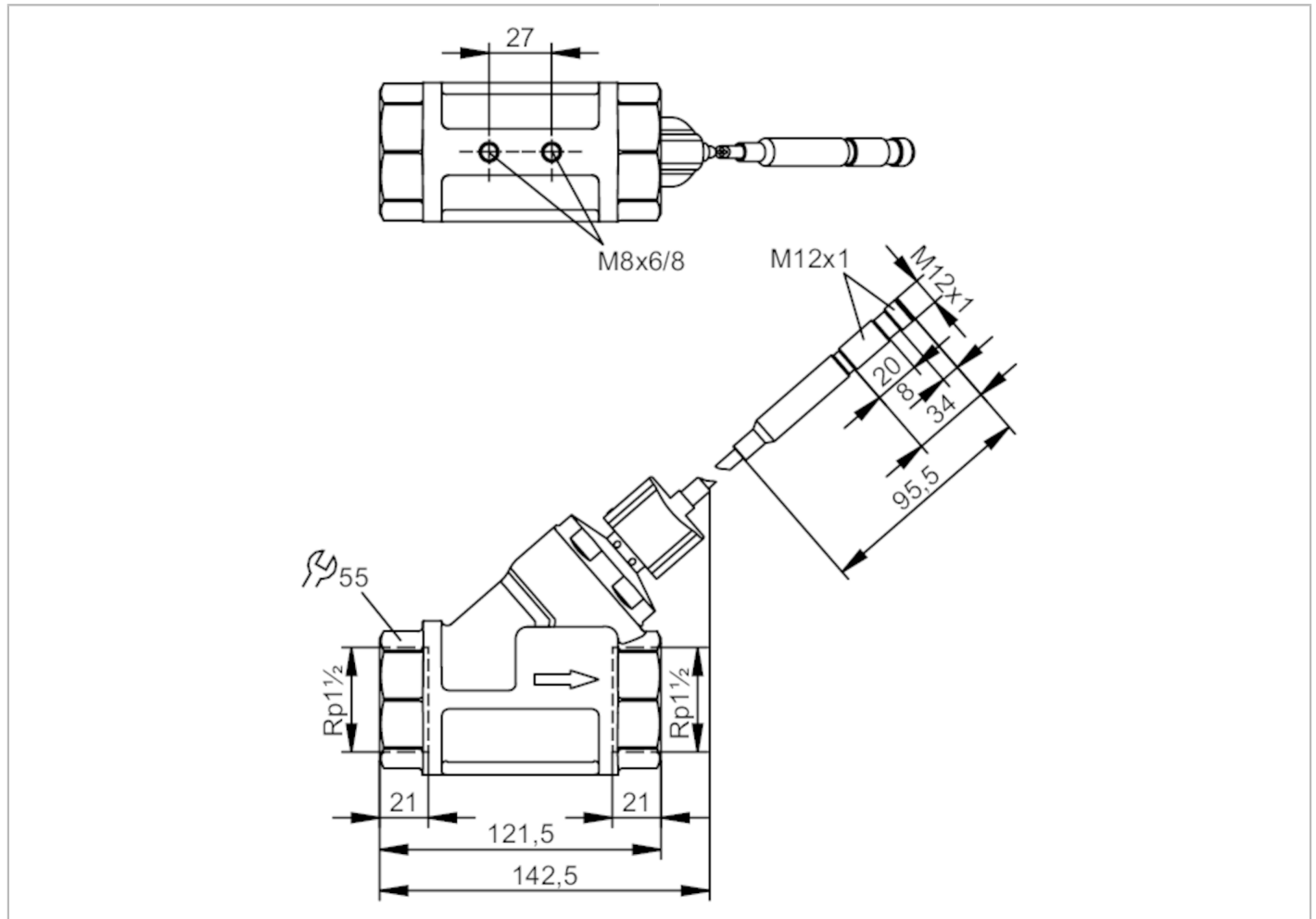


# SBT657



## Flow transmitters with fast response time

SBT32XKX10KG/O/US



Product characteristics		
Measuring range	[l/min]	4...200
Process connection		Rp 1 1/2
Application		
Media		Liquids; water; glycol solutions
Medium temperature	[°C]	10...180
Pressure rating	[bar]	25
Pressure rating	[MPa]	2.5
Note on pressure rating		static
Electrical data		
Operating voltage tolerance	[%]	-15...10
Operating voltage	[V]	24 DC; (to SELV/PELV)
Current consumption	[mA]	< 35
Protection class		III
Reverse polarity protection		yes
Outputs		
Output signal		analog signal

# SBT657



## Flow transmitters with fast response time

SBT32XKX10KG/O/US

Analog current output	[mA]	4...20
Max. load	[Ω]	500
Short-circuit protection		yes
Overload protection		yes
<b>Measuring/setting range</b>		
Measuring range	[l/min]	4...200
<b>Accuracy / deviations</b>		
Repeatability		1
	[% of the final value]	
Measuring error		± 5
	[% of the final value]	
<b>Reaction times</b>		
Response time	[s]	< 0.01
<b>Operating conditions</b>		
Ambient temperature	[°C]	0...60
Storage temperature	[°C]	-15...80
Protection		IP 65; IP 67
<b>Tests / approvals</b>		
EMC	DIN EN 61000-6-2	
	DIN EN 61000-6-3	
Shock resistance	DIN EN 60068-2-27	20 g (11 ms)
Vibration resistance	DIN EN 60068-2-6	5 g (10...2000 Hz)
MTTF	[years]	393
<b>Mechanical data</b>		
Weight	[g]	2423.7
Material		brass white bronze coated; PPS; copper alloy; aluminum anodized; PEI; silicone; O-ring: EPDM; FKM
Materials (wetted parts)		stainless steel (1.4401 / 316); stainless steel (1.4301 / 304); brass; brass chemically nickel-plated; PPS; O-ring: FKM; magnet: Metalllegierung nickel-plated; Two-component adhesive
Process connection		Rp 1 1/2
Switching cycles mechanical		10 million
<b>Remarks</b>		
Remarks		Recommendation Use 200 micron filtration All data refer to water (20 °C).
Pack quantity		1 pcs.

# SBT657



## Flow transmitters with fast response time

SBT32XKX10KG/O/US

### Electrical connection

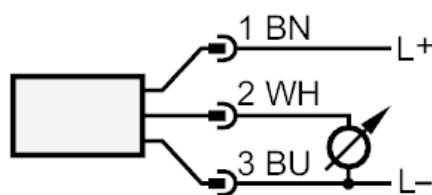
Cable: 0.3 m, silicone

### Electrical connection - plug

Connector: 1 x M12; coding: A



### Connection

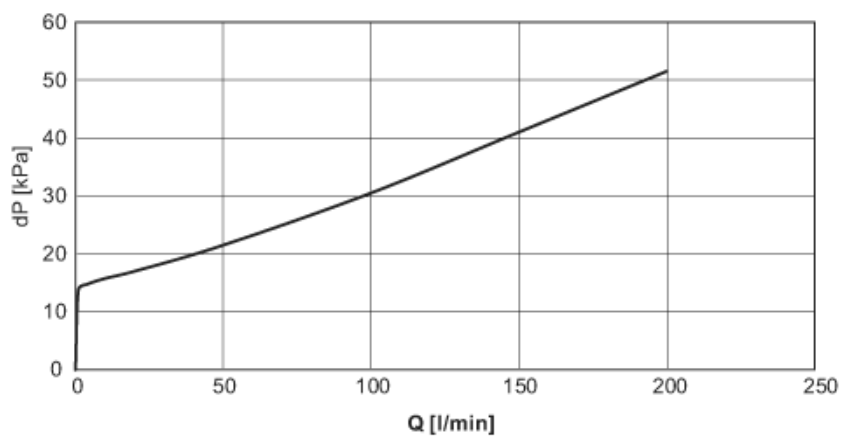


Colors to DIN EN 60947-5-2

Core colors :

BN = brown  
BU = blue  
WH = white

### Diagrams and graphs



dP Pressure loss

Q volumetric flow quantity