

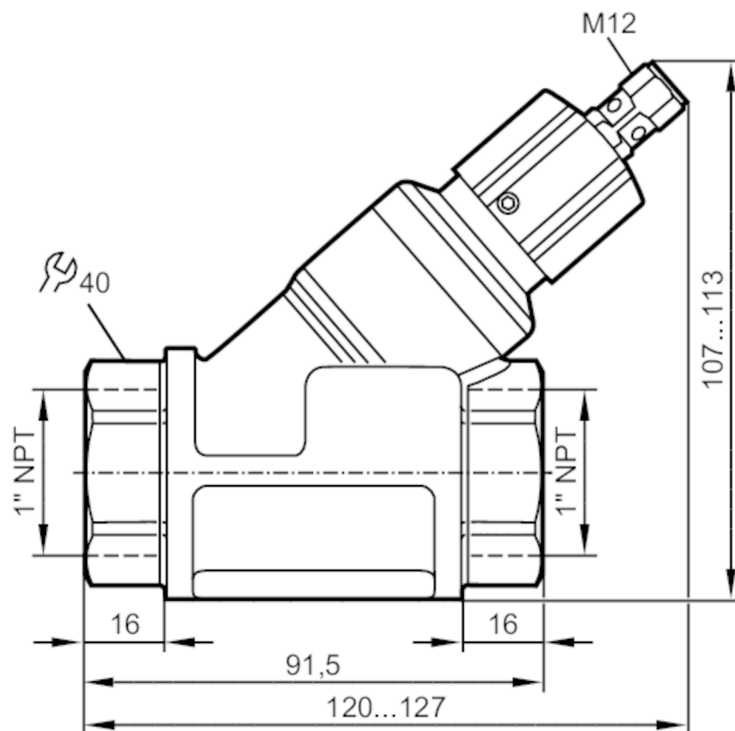
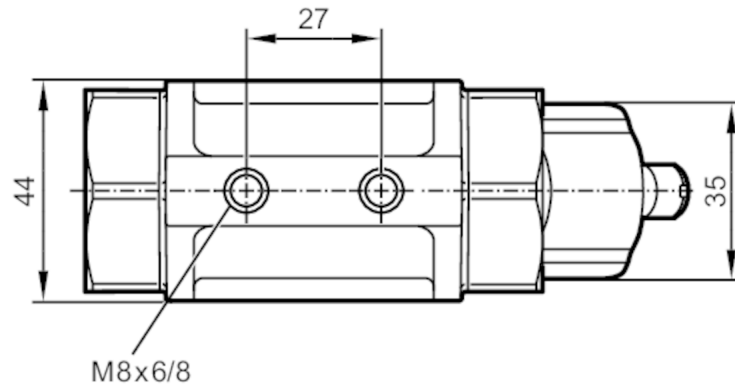
# SBN346



## Flow sensor with fast response time

SBY11BF0BPKG/US

Please note the changed housing design!



### Product characteristics

Number of inputs and outputs	Number of digital outputs: 1
Process connection	1" NPT

### Application

Media	Liquids; water; glycol solutions; Coolants
Medium temperature [°F]	32...185
Pressure rating [bar]	25
Pressure rating [MPa]	2.5

# SBN346



## Flow sensor with fast response time

SBY11BF0BPKG/US

Electrical data		
Operating voltage [V]	10...30 DC; (to SELV/PELV)	
Current consumption [mA]	< 15	
Protection class	III	
Reverse polarity protection	yes	
Inputs / outputs		
Number of inputs and outputs	Number of digital outputs: 1	
Outputs		
Total number of outputs	1	
Output signal	switching signal	
Electrical design	PNP	
Number of digital outputs	1	
Output function	normally open	
Max. voltage drop switching output DC [V]	2.5	
Permanent current rating of switching output DC [mA]	100	
Short-circuit protection	yes	
Overload protection	yes	
Measuring/setting range		
Setting range [gpm]	1.32...26.4	
Accuracy / deviations		
Repeatability [% of the final value]	1	
Hysteresis [gpm]	0,8...1,58	
Measuring error [% of the final value]	± 5	
Reaction times		
Response time [s]	< 0.01	
Operating conditions		
Ambient temperature [°F]	32...140	
Storage temperature [°F]	5...176	
Protection	IP 65; IP 67	
Tests / approvals		
EMC	DIN EN 61000-6-2	
	DIN EN 61000-6-3	
Shock resistance	DIN EN 60068-2-27	20 g (11 ms)
Vibration resistance	DIN EN 60068-2-6	5 g (10...2000 Hz)
MTTF [years]		3318
Mechanical data		
Weight [g]		1088.45
Material	brass chemically nickel-plated; PPS; aluminum anodized; PA	
Materials (wetted parts)	stainless steel (1.4310 / 301); stainless steel (1.4301 / 304); PBT; brass chemically nickel-plated; PP; PPS; Polyolefin; O-ring: FKM	

# SBN346



## Flow sensor with fast response time

SBY11BF0BPKG/US

Process connection	1" NPT
Switching cycles mechanical	10 million

### Displays / operating elements

Display	Switching status	4 x LED, yellow
---------	------------------	-----------------

### Accessories

Items supplied	Allen key
----------------	-----------

### Remarks

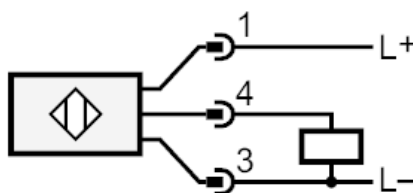
Remarks	Caution Do not turn the cap beyond the maximum value of the setting range. All data refer to water (68 °F).
Notes	Please note the changed housing design!
Pack quantity	1 pcs.

### Electrical connection

Connector: 1 x M12; coding: A



### Connection



### Diagrams and graphs

Pressure loss	<p>dP Pressure loss Q volumetric flow quantity</p>
---------------	--