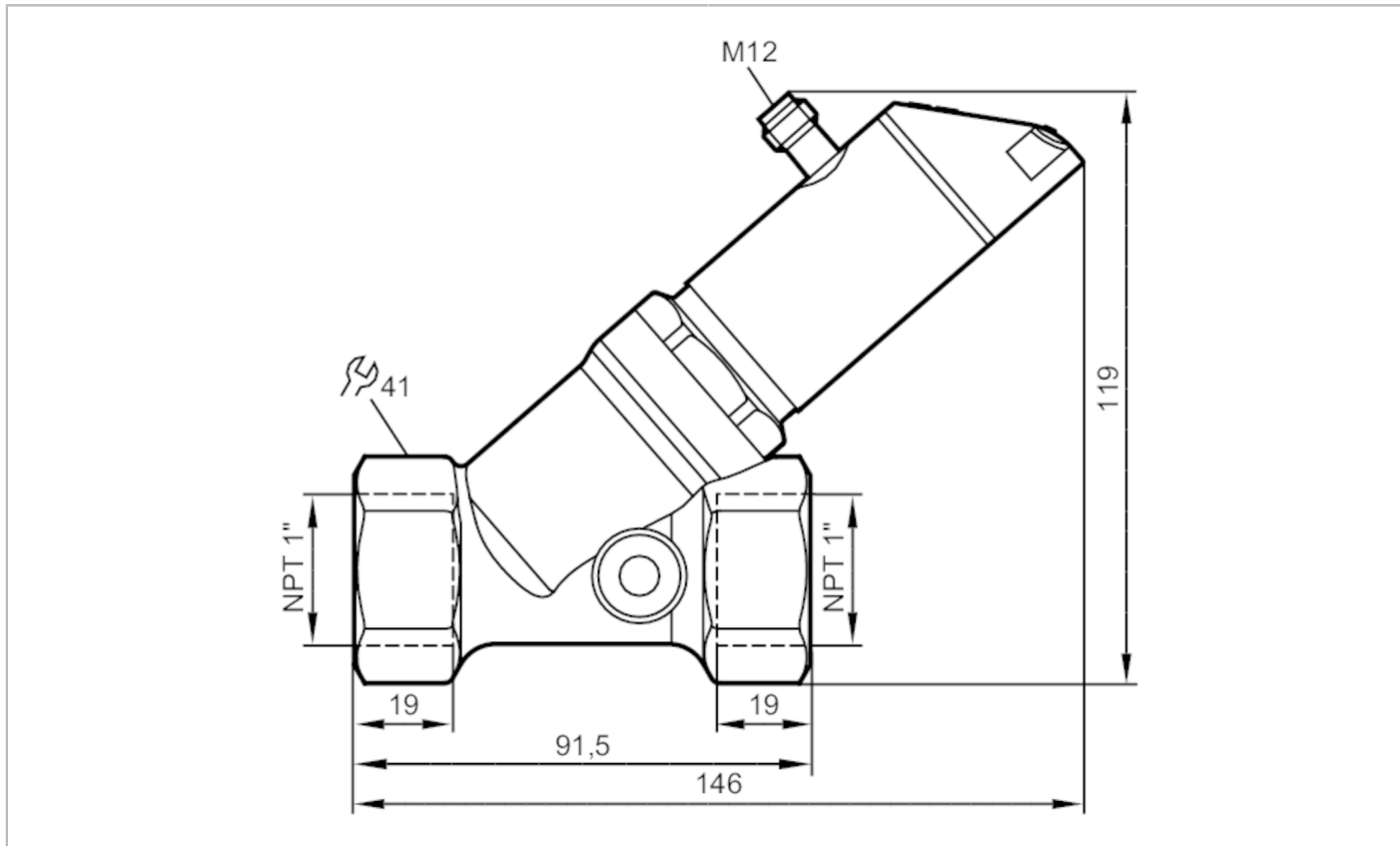


SBN246



Flow meter with fast response and display

SBN11IF0FRKG



Product characteristics	
Number of inputs and outputs	Number of digital outputs: 2; Number of analog outputs: 1
Measuring range [gph]	30...1620
Process connection	threaded connection 1" NPT
Application	
System	gold-plated contacts
Application	for industrial applications
Media	Liquids; water; glycol solutions; Coolants
Note on media	oil 1 with viscosity: 10 mm ² /s (104 °F) oil 2 with viscosity: 46 mm ² /s (104 °F)
Medium temperature [°F]	14...212
Pressure rating [bar]	25
Pressure rating [MPa]	2.5
MAWP (for applications according to CRN) [bar]	25
Electrical data	
Operating voltage [V]	18...30 DC; (to SELV/PELV)
Current consumption [mA]	< 50
Protection class	III
Reverse polarity protection	yes
Power-on delay time [s]	< 3



Flow meter with fast response and display

SBN11IF0FRKG

Inputs / outputs	
Number of inputs and outputs	Number of digital outputs: 2; Number of analog outputs: 1
Outputs	
Total number of outputs	2
Output signal	switching signal; analog signal; frequency signal; IO-Link; (configurable)
Number of digital outputs	2
Output function	normally open / closed; (configurable)
Max. voltage drop switching output DC [V]	2
Permanent current rating of switching output DC [mA]	150; (per output 2 x 200 (...140 °F); 2 x 250 (...104 °F))
Switching cycles (mechanical)	10 million
Number of analog outputs	1
Analog current output [mA]	4...20
Max. load [Ω]	500
Short-circuit protection	yes
Overload protection	yes
Frequency of the output [Hz]	0...10000
Measuring/setting range	
Measuring range [gph]	30...1620
Display range	0...1940 gph 0...32.4 gpm
Resolution	10 gph 0.1 gpm
Set point SP	10...1620 gph 0.2...27 gpm
Reset point rP	0...1610 gph 0...26.8 gpm
Frequency end point, FEP	110...1620 gph 1.8...27 gpm
In steps of	10 gph 0.1 gpm
Frequency at the end point FRP [Hz]	10...10000
Measuring dynamics	1:50
Temperature monitoring	
Measuring range [°F]	14...212
Display range [°F]	-26...252
Resolution [°F]	2
Set point SP [°F]	16...212
Reset point rP [°F]	14...210
In steps of [°F]	2
Frequency start point, FSP [°F]	14...172
Frequency end point, FEP [°F]	54...212
Frequency at the end point FRP [Hz]	10...10000
Accuracy / deviations	
Flow monitoring	
Accuracy (in the measuring range)	± (4 % MW + 1 % MEW); (Q > 2 l/min; medium and operating temperature: +71,6 °F ± 4K)
Repeatability	± 1 % MEW



Flow meter with fast response and display

SBN11IF0FRKG

Temperature monitoring		
Temperature drift		0,9802 °F / K
Accuracy	[K]	3 K (77 °F; Q > 1 l/min)
Reaction times		
Flow monitoring		
Response time	[s]	0.01
Damping process value dAP	[s]	0...5
Damping for the analog output dAA	[s]	0...5
Temperature monitoring		
Dynamic response T05 / T09	[s]	T09 = 120 (Q > 1 l/min)
Software / programming		
Parameter setting options	hysteresis / window; normally open / closed; switching logic; current output; medium selection; damping for the switching output / analog output; display can be rotated and switched off; standard unit of measurement; process value color	
Interfaces		
Communication interface	IO-Link	
Transmission type	COM2 (38,4 kBaud)	
IO-Link revision	1.1	
SDCI standard	IEC 61131-9 CDV	
Profiles	Smart Sensor: Process Data Variable; Device Identification	
SIO mode	yes	
Required master port class	A	
Process data analog	2	
Process data binary	2	
Min. process cycle time	[ms]	5
Supported DeviceIDs	Type of operation	DeviceID
	default	568
Operating conditions		
Ambient temperature	[°F]	32...140
Note on ambient temperature	medium temperature < 176 °F medium temperature < 212 °F: 32...104 °F	
Storage temperature	[°F]	5...176
Protection	IP 65; IP 67	
Tests / approvals		
EMC	DIN EN 61000-6-2	
	DIN EN 61000-6-3	
Shock resistance	DIN EN 60068-2-27	20 g (11 ms)
Vibration resistance	DIN EN 60068-2-6	5 g (10...2000 Hz)
MTTF	[years]	145
UL approval	UL approval number	I006
Pressure equipment directive	sound engineering practice; can be used for group 2 fluids; group 1 fluids on request	
Mechanical data		
Weight	[g]	1088.9

SBN246



Flow meter with fast response and display

SBN11IF0FRKG

Material	stainless steel (1.4404 / 316L); PBT+PC-GF30; PBT-GF20; PC; brass chemically nickel-plated
Materials (wetted parts)	stainless steel (1.4401 / 316); stainless steel (1.4404 / 316L); brass (2.0371); brass chemically nickel-plated; PPS; O-ring: FKM
Process connection	threaded connection 1" NPT

Displays / operating elements

Display	Display unit	3 x LED, green
	Switching status	2 x LED, yellow
	Measured values	alphanumeric display, red/green 4-digit
	Programming	alphanumeric display, 4-digit

Remarks

Remarks	Use of 200 micron filtration is recommended.
	All data refer to water (68 °F).
	MW = Measured value
	MEW = Final value of the measuring range

Pack quantity	1 pcs.
---------------	--------

Electrical connection

Connector: 1 x M12; coding: A; Contacts: gold-plated



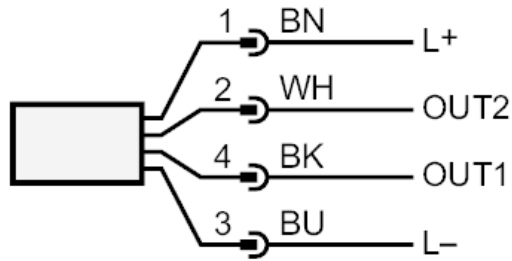
SBN246



Flow meter with fast response and display

SBN11IF0FRKG

Connection



OUT1:

- Switching output Volumetric flow quantity monitoring
- Switching output Temperature monitoring
- Frequency output Volumetric flow quantity monitoring
- Frequency output Temperature monitoring
- IO-Link

OUT2:

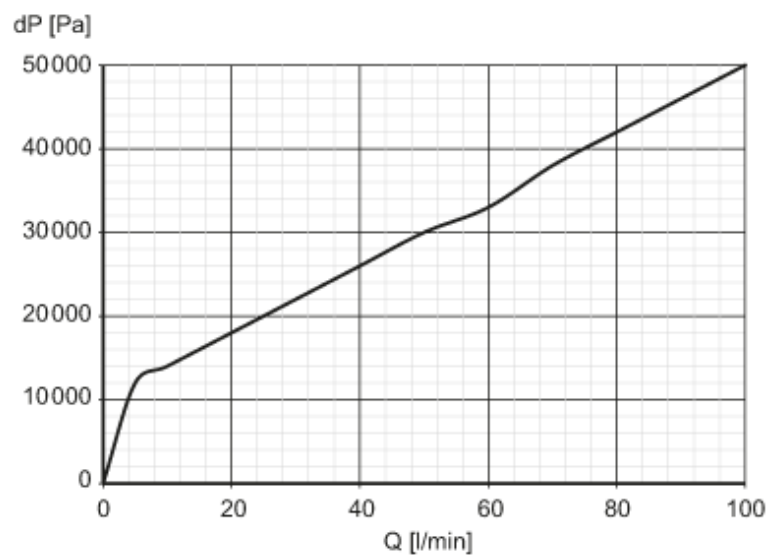
- Switching output Volumetric flow quantity monitoring
 - Switching output Temperature monitoring
 - analog output Volumetric flow quantity monitoring
 - analog output Temperature monitoring
- Colors to DIN EN 60947-5-2

Core colors :

- BK = black
- BN = brown
- BU = blue
- WH = white

Diagrams and graphs

Pressure loss



dP Pressure loss

Q volumetric flow quantity