

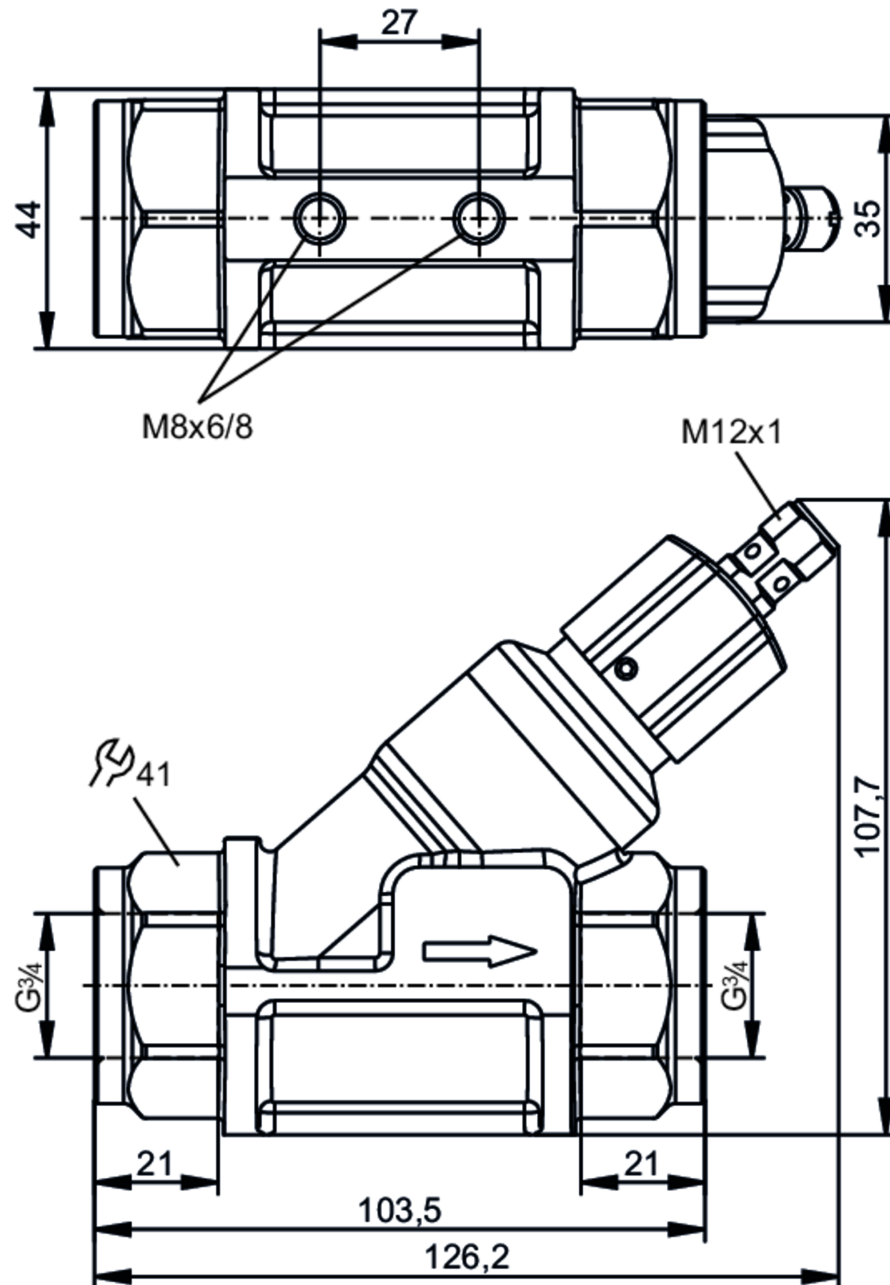
SBG346



Flow sensor with fast response time

SBY11BF0BPKG/US

Please note the changed housing design!



Product characteristics

Number of inputs and outputs	Number of digital outputs: 1
Process connection	threaded connection G 3/4

Application

Media	Liquids; water; glycol solutions; Coolants
Medium temperature [°C]	0...85
Pressure rating [bar]	25
Pressure rating [MPa]	2.5

SBG346



Flow sensor with fast response time

SBY11BF0BPKG/US

Electrical data	
Operating voltage [V]	10...30 DC; (to SELV/PELV)
Current consumption [mA]	< 15
Protection class	III
Reverse polarity protection	yes
Inputs / outputs	
Number of inputs and outputs	Number of digital outputs: 1
Outputs	
Total number of outputs	1
Output signal	switching signal
Electrical design	PNP
Number of digital outputs	1
Output function	normally open
Max. voltage drop switching output DC [V]	2.5
Permanent current rating of switching output DC [mA]	100
Short-circuit protection	yes
Overload protection	yes
Measuring/setting range	
Setting range [l/min]	5...100
Accuracy / deviations	
Repeatability [% of the final value]	1
Hysteresis [l/min]	3...6
Measuring error [% of the final value]	± 5
Reaction times	
Response time [s]	< 0.01
Operating conditions	
Ambient temperature [°C]	0...60
Storage temperature [°C]	-15...80
Protection	IP 65; IP 67
Tests / approvals	
EMC	DIN EN 61000-6-2
	DIN EN 61000-6-3
Shock resistance	DIN EN 60068-2-27 20 g (11 ms)
Vibration resistance	DIN EN 60068-2-6 5 g (10...2000 Hz)
MTTF [years]	3318
Mechanical data	
Weight [g]	1071.3
Material	brass chemically nickel-plated; PPS; aluminum anodized; PA
Materials (wetted parts)	stainless steel (1.4310 / 301); stainless steel (1.4301 / 304); PBT; brass chemically nickel-plated; PP; PPS; Polyolefin; O-ring: FKM

SBG346



Flow sensor with fast response time

SBY11BF0BPKG/US

Process connection	threaded connection G 3/4
Switching cycles mechanical	10 million

Displays / operating elements

Display	Switching status	4 x LED, yellow
---------	------------------	-----------------

Accessories

Items supplied	Allen key
----------------	-----------

Remarks

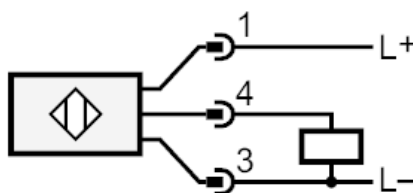
Remarks	Caution Do not turn the cap beyond the maximum value of the setting range. All data refer to water (20 °C).
Notes	Please note the changed housing design!
Pack quantity	1 pcs.

Electrical connection

Connector: 1 x M12; coding: A



Connection



SBG346

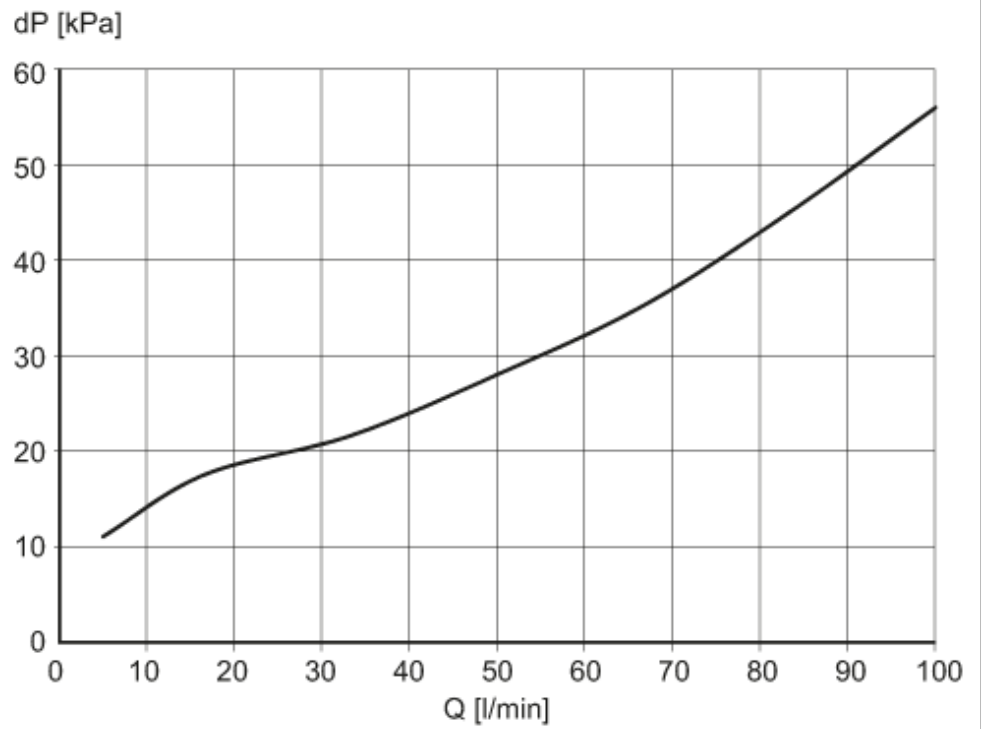


Flow sensor with fast response time

SBY11BF0BPKG/US

Diagrams and graphs

Pressure loss



dP Pressure loss

Q volumetric flow quantity