

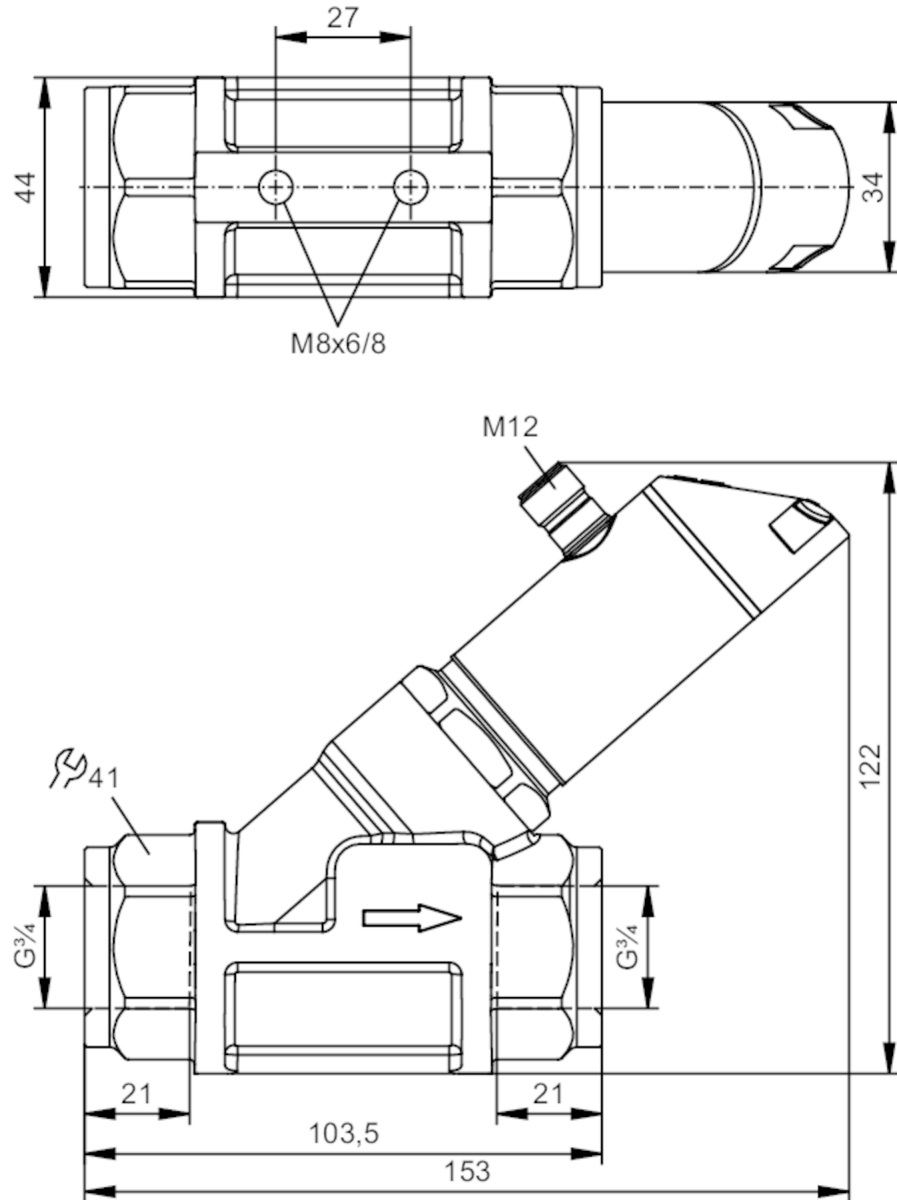
SBG246



Flow meter with fast response and display

SBG34IF0FRKG

Please note the changed housing design!



Product characteristics

Number of inputs and outputs	Number of digital outputs: 2; Number of analog outputs: 1	
Measuring range	2...100 l/min	0.12...6 m ³ /h
Process connection	threaded connection G 3/4	

Application

System	gold-plated contacts
Application	for industrial applications
Media	Liquids; water; glycol solutions; Coolants

SBG246



Flow meter with fast response and display

SBG34IF0FRKG

Note on media	oil 1 with viscosity: 10 mm ² /s (40 °C)	
	oil 2 with viscosity: 46 mm ² /s (40 °C)	
Medium temperature [°C]	-10...100	
Pressure rating [bar]	25	
Pressure rating [MPa]	2.5	
MAWP (for applications according to CRN) [bar]	25	
Electrical data		
Operating voltage [V]	18...30 DC; (to SELV/PELV)	
Current consumption [mA]	< 50	
Protection class	III	
Reverse polarity protection	yes	
Power-on delay time [s]	< 3	
Inputs / outputs		
Number of inputs and outputs	Number of digital outputs: 2; Number of analog outputs: 1	
Outputs		
Total number of outputs	2	
Output signal	switching signal; analog signal; frequency signal; IO-Link; (configurable)	
Number of digital outputs	2	
Output function	normally open / closed; (configurable)	
Max. voltage drop switching output DC [V]	2	
Permanent current rating of switching output DC [mA]	150; (per output 2 x 200 (...60 °C); 2 x 250 (...40 °C))	
Switching cycles (mechanical)	10 million	
Number of analog outputs	1	
Analog current output [mA]	4...20	
Max. load [Ω]	500	
Short-circuit protection	yes	
Overload protection	yes	
Frequency of the output [Hz]	0...10000	
Measuring/setting range		
Measuring range	2...100 l/min	0.12...6 m ³ /h
Display range	0...120 l/min	0...7.2 m ³ /h
Resolution	0.5 l/min	0.05 m ³ /h
Set point SP	1...100 l/min	0.05...6 m ³ /h
Reset point rP	0...99 l/min	0...5.95 m ³ /h
Frequency end point, FEP	6.5...100 l/min	0.4...6 m ³ /h
In steps of	0.5 l/min	0.05 m ³ /h
Frequency at the end point FRP [Hz]	10...10000	
Measuring dynamics	1:50	
Temperature monitoring		
Measuring range [°C]	-10...100	
Display range [°C]	-32...122	

SBG246



Flow meter with fast response and display

SBG34IF0FRKG

Resolution	[°C]	1
Set point SP	[°C]	-9...100
Reset point rP	[°C]	-10...99
In steps of	[°C]	1
Frequency start point, FSP	[°C]	-10...78
Frequency end point, FEP	[°C]	12...100
Frequency at the end point FRP	[Hz]	10...10000

Accuracy / deviations

Flow monitoring		
Accuracy (in the measuring range)		$\pm (4 \% MW + 1 \% MEW)$; ($Q > 2 \text{ l/min}$; medium and operating temperature: $+22 \text{ °C} \pm 4\text{K}$)
Repeatability		$\pm 1 \% MEW$
Temperature monitoring		
Temperature drift		0,029 °C / K
Accuracy	[K]	3 K (25°C; $Q > 1 \text{ l/min}$)

Reaction times

Flow monitoring		
Response time	[s]	0.01
Damping process value dAP	[s]	0...5
Damping for the analog output dAA	[s]	0...5
Temperature monitoring		
Dynamic response T05 / T09	[s]	T09 = 120 ($Q > 1 \text{ l/min}$)

Software / programming

Parameter setting options	hysteresis / window; normally open / closed; switching logic; current/frequency output; medium selection; damping for the switching output / analog output; display can be rotated and switched off; standard unit of measurement; process value color	
---------------------------	--------------------------------------------------------------------------------------------------------------------------------------------------------------------------------------------------------------------------------------------------------	--

Interfaces

Communication interface	IO-Link	
Transmission type	COM2 (38,4 kBaud)	
IO-Link revision	1.1	
SDCI standard	IEC 61131-9 CDV	
Profiles	Smart Sensor: Process Data Variable; Device Identification	
SIO mode	yes	
Required master port class	A	
Process data analog	2	
Process data binary	2	
Min. process cycle time	[ms]	5
Supported DeviceIDs	Type of operation	DeviceID
	default	563

Operating conditions

Ambient temperature	[°C]	0...60
Note on ambient temperature	medium temperature < 80 °C medium temperature < 100 °C: 0...40 °C	

SBG246



Flow meter with fast response and display

SBG34IF0FRKG

Storage temperature	[°C]	-15...80
Protection		IP 65; IP 67

Tests / approvals

EMC	DIN EN 61000-6-2	
	DIN EN 61000-6-3	
Shock resistance	DIN EN 60068-2-27	20 g (11 ms)
Vibration resistance	DIN EN 60068-2-6	5 g (10...2000 Hz)
MTTF	[years]	145
UL approval	UL approval number	I006
Pressure equipment directive	sound engineering practice; can be used for group 2 fluids; group 1 fluids on request	

Mechanical data

Weight	[g]	1488.75
Material	stainless steel (1.4404 / 316L); PBT+PC-GF30; PBT-GF20; PC; brass chemically nickel-plated	
Materials (wetted parts)	stainless steel (1.4401 / 316); stainless steel (1.4404 / 316L); brass (2.0371); brass chemically nickel-plated; PPS; O-ring: FKM	
Process connection	threaded connection G 3/4	

Displays / operating elements

Display	Display unit	3 x LED, green
	Switching status	2 x LED, yellow
	Measured values	alphanumeric display, red/green 4-digit
	Programming	alphanumeric display, 4-digit

Remarks

Remarks	Use of 200 micron filtration is recommended. All data refer to water (20 °C). MW = Measured value MEW = Final value of the measuring range
Notes	Please note the changed housing design!
Pack quantity	1 pcs.

Electrical connection

Connector: 1 x M12; coding: A; Contacts: gold-plated



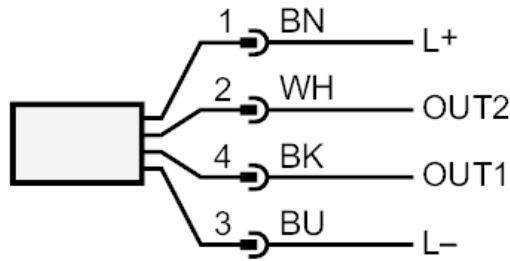
SBG246



Flow meter with fast response and display

SBG34IF0FRKG

Connection



OUT1:

- Switching output Volumetric flow quantity monitoring
- Switching output Temperature monitoring
- Frequency output Volumetric flow quantity monitoring
- Frequency output Temperature monitoring
- IO-Link

OUT2:

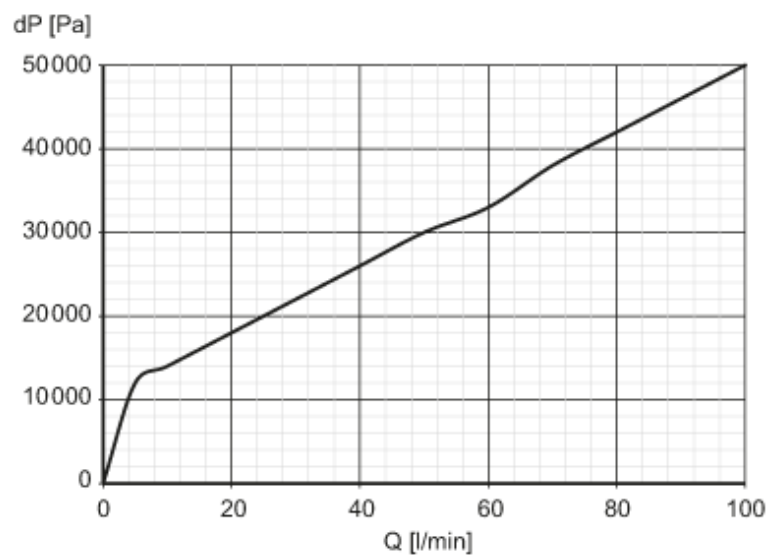
- Switching output Volumetric flow quantity monitoring
 - Switching output Temperature monitoring
 - analog output Volumetric flow quantity monitoring
 - analog output Temperature monitoring
- Colors to DIN EN 60947-5-2

Core colors :

- BK = black
BN = brown
BU = blue
WH = white

Diagrams and graphs

Pressure loss



dP Pressure loss

Q volumetric flow quantity