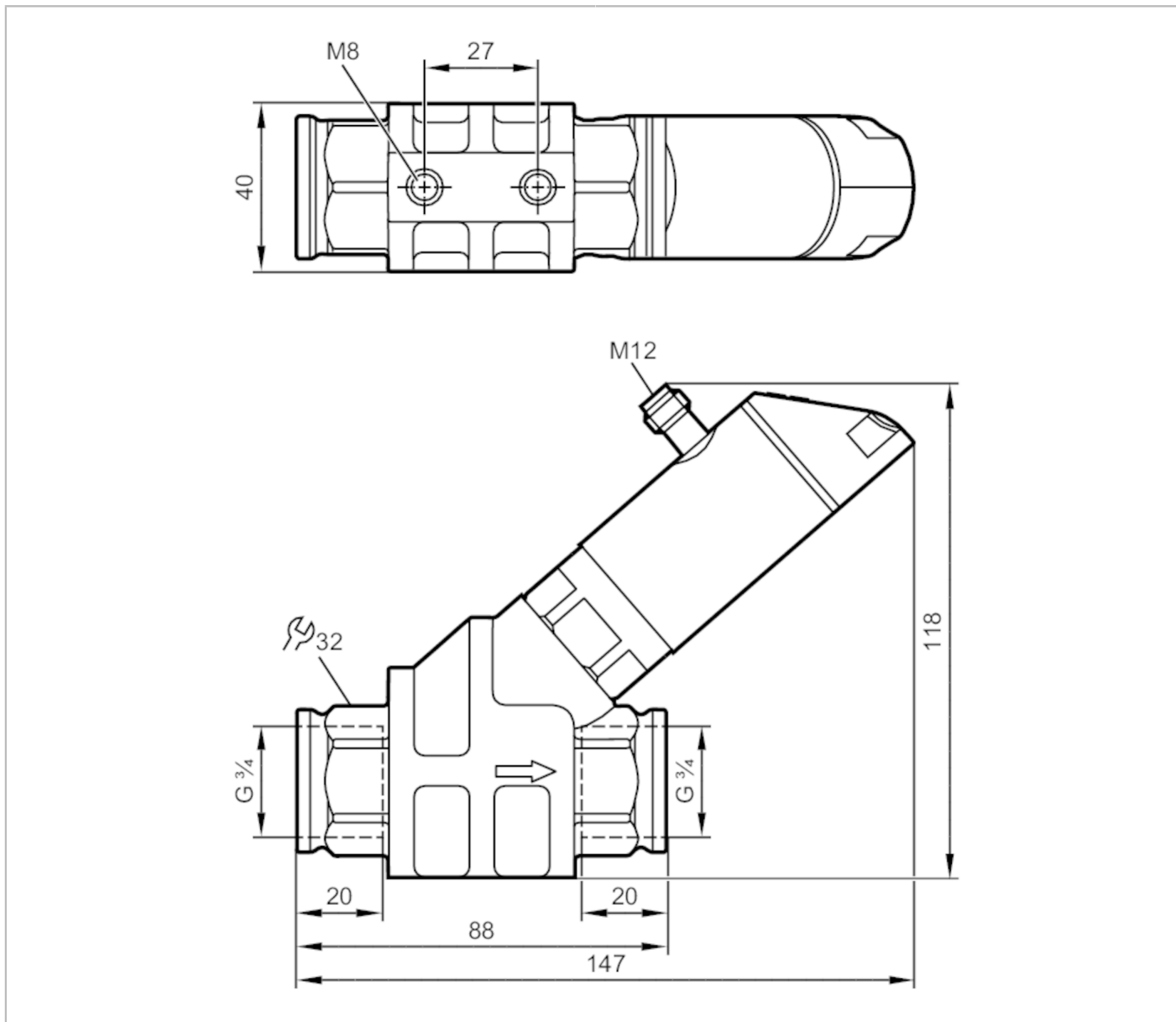


SB3233



Flow meter with fast response and display

SBG34KL0FRKG



Product characteristics				
Measuring range	0.5...25 l/min	0.03...1.5 m ³ /h	8...396.5 gph	0.13...6.6 gpm
Process connection	threaded connection G 3/4 Internal thread			
Application				
System	gold-plated contacts			
Media	Liquids; oils (viscosity 68 mm ² /s at 40 °C)			
Medium temperature	[°C]	-10...100		
Pressure rating	[bar]	100		
Pressure rating	[MPa]	10		
Note on pressure rating	at medium temperature >70°C: 80 bar / 8 MPa			
Electrical data				
Operating voltage	[V]	18...30 DC; (to SELV/PELV)		



Flow meter with fast response and display

SBG34KL0FRKG

Current consumption	[mA]	< 50
Protection class		III
Reverse polarity protection		yes
Power-on delay time	[s]	< 3

Outputs		
Total number of outputs		2
Output signal		switching signal; analog signal; frequency signal; IO-Link
Output function		configurable
Max. voltage drop switching output DC	[V]	2
Max. current load per output	[mA]	150; (200: ...60 °C; Ambient temperature; 250: ...40 °C; Ambient temperature)
Analog current output	[mA]	4...20
Max. load	[Ω]	500
Short-circuit protection		yes
Overload protection		yes
Frequency of the output	[Hz]	0...10000

Measuring/setting range				
Measuring range	0.5...25 l/min	0.03...1.5 m³/h	8...396.5 gph	0.13...6.6 gpm
Display range	0...30 l/min	0...1.8 m³/h	0...475.5 gph	0...7.93 gpm
Resolution	0.01 l/min	0.001 m³/h	0.1 gph	0.01 gpm
Set point SP	0.16...25 l/min	0.01...1.5 m³/h	2.5...396 gph	0.04...6.6 gpm
Reset point rP	0...24.84 l/min	0...1.49 m³/h	0...393.5 gph	0...6.56 gpm
Frequency end point, FEP	1.66...25 l/min	0.1...1.5 m³/h	26.5...396 gph	0.44...6.6 gpm
In steps of	0.02 l/min	0.002 m³/h	0.5 gph	0.01 gpm
Frequency at the end point FRP	[Hz]		10...10000	
In steps of	[Hz]		10	
Measuring dynamics			1:50	

Temperature monitoring		
Measuring range	-10...100 °C	14...212 °F
Display range	-32...122 °C	-25.6...251.6 °F
Resolution	0.1 °C	0.1 °F
Set point SP	-9.3...100 °C	15.2...212 °F
Reset point rP	-10...99.3 °C	14...210.8 °F
In steps of	0.1 °C	0.2 °F
Frequency start point, FSP	-10...78 °C	14...172.4 °F
Frequency end point, FEP	12...100 °C	53.6...212 °F
Frequency at the end point FRP	[Hz]	10...10000
In steps of	[Hz]	10

Accuracy / deviations	
Flow monitoring	
Accuracy (in the measuring range)	± 5 % MEW; (Q > 1 l/min; 20...70 °C Medium temperature)
Repeatability	± 1 % MEW



Flow meter with fast response and display

SBG34KL0FRKG

Temperature monitoring		
Temperature drift		0,029 °C / K
Accuracy	[K]	3 K (25°C; Q > 1 l/min)
Reaction times		
Flow monitoring		
Response time	[s]	0.01
Damping process value dAP	[s]	0...5
In steps of	[s]	0.1
Damping for the analog output dAA	[s]	0...5
In steps of	[s]	0.1
Temperature monitoring		
Dynamic response T05 / T09	[s]	T09 = 120 (Q > 1 l/min)
Software / programming		
Parameter setting options	hysteresis / window; normally open / closed; switching logic; current/frequency output; damping for the switching output / analog output; display can be rotated and switched off; standard unit of measurement; process value color; calibration factor	
Interfaces		
Communication interface	IO-Link	
Transmission type	COM2 (38,4 kBaud)	
IO-Link revision	1.1	
SDCI standard	IEC 61131-9 CDV	
Profiles	Smart Sensor: Process Data Variable; Device Identification, Device Diagnosis	
SIO mode	yes	
Required master port class	A	
Process data analog	2	
Process data binary	2	
Min. process cycle time	[ms]	3.2
Supported DeviceIDs	Type of operation	DeviceID
	default	1044
Operating conditions		
Ambient temperature	[°C]	0...60
Note on ambient temperature	medium temperature < 80 °C medium temperature < 100 °C: 0...40 °C	
Storage temperature	[°C]	-15...80
Protection	IP 65; IP 67	
Tests / approvals		
EMC	DIN EN 61000-6-2	
	DIN EN 61000-6-3	
Shock resistance	DIN EN 60068-2-27	20 g (11 ms)
Vibration resistance	DIN EN 60068-2-6	5 g (10...2000 Hz)
MTTF	[years]	145
UL approval	UL approval number	I005
	File number UL	E174189
Pressure equipment directive	sound engineering practice	

SB3233



Flow meter with fast response and display

SBG34KL0FRKG

Mechanical data	
Weight [g]	995.5
Material	stainless steel (1.4404 / 316L); PBT+PC-GF30; PBT-GF20; PC; brass chemically nickel-plated
Materials (wetted parts)	stainless steel (1.4401 / 316); stainless steel (1.4404 / 316L); brass (2.0371); brass chemically nickel-plated; PPS; O-ring: FKM
Process connection	threaded connection G 3/4 Internal thread
Switching cycles mechanical	10 million

Displays / operating elements		
Display	Display unit	6 x LED, green
	Switching status	2 x LED, yellow
	Measured values	alphanumeric display, red/green alternating indication 4-digit
	Programming	alphanumeric display, 4-digit

Remarks	
Remarks	Use of 200 micron filtration is recommended.
	All data refer to oil with the following nominal viscosity: 68 mm ² /s, 40 °C
	MW = Measured value
	MEW = Final value of the measuring range
Pack quantity	1 pcs.

Electrical connection

Connector: 1 x M12; coding: A; Contacts: gold-plated

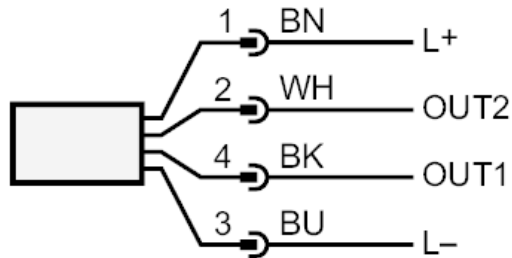




Flow meter with fast response and display

SBG34KL0FRKG

Connection



OUT1:

- Switching output Volumetric flow quantity monitoring
- Switching output Temperature monitoring
- Frequency output Volumetric flow quantity monitoring
- Frequency output Temperature monitoring
- IO-Link

OUT2:

- Switching output Volumetric flow quantity monitoring
 - Switching output Temperature monitoring
 - analog output Volumetric flow quantity monitoring
 - analog output Temperature monitoring
- Colors to DIN EN 60947-5-2

Core colors :

- BK = black
- BN = brown
- BU = blue
- WH = white

Diagrams and graphs

