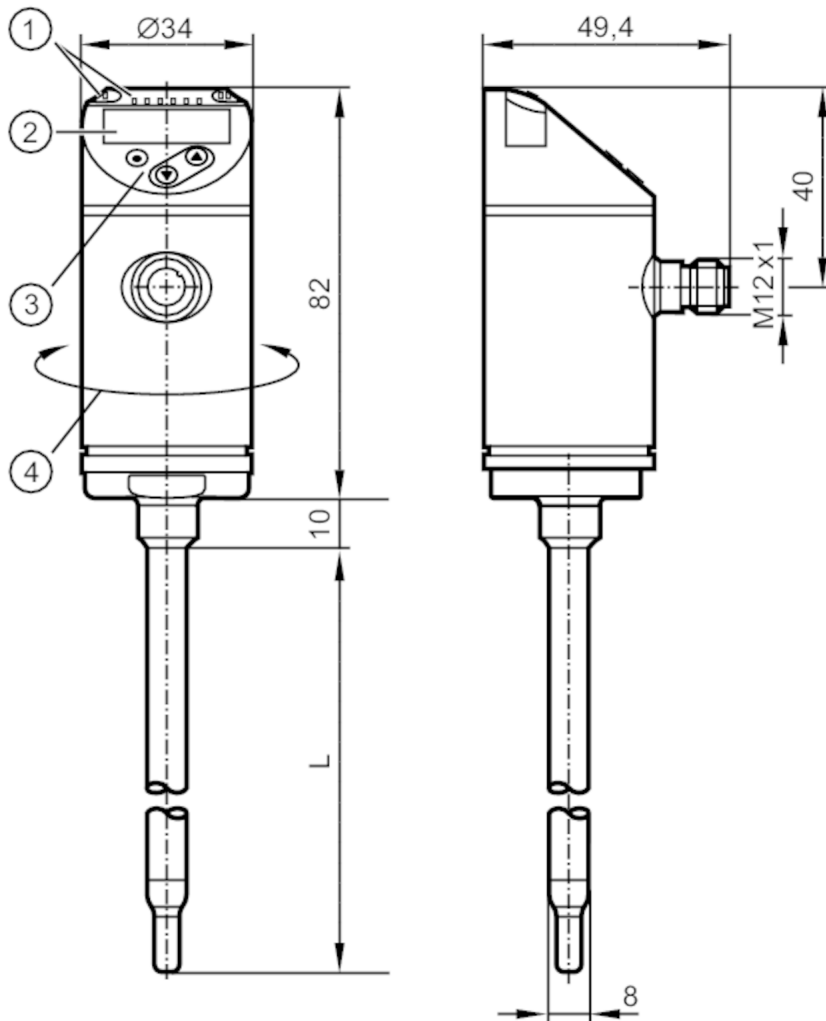


# SA4300



## Flow sensor

SAEXXXBFRKG/US-100



- L 200 mm
- 1 LEDs Display unit / Switching status
- 2 alphanumeric display 4-digit red/green
- 3 Programming buttons
- 4 upper part of the housing can be rotated 345°

ACS CE CRN EC 1935/2004 FCM KTW/W270 Reg31

### Product characteristics

Number of inputs and outputs	Number of digital outputs: 2; Number of analog outputs: 1
Process connection	$\varnothing 8$ mm

### Application

System	gold-plated contacts
Media	water; glycol solutions; air; oils
Note on media	low-viscosity oils with viscosity: $\leq 40$ mm <sup>2</sup> /s (40 °C) high-viscosity oils with viscosity: $> 40$ mm <sup>2</sup> /s (40 °C)
Medium temperature [°C]	-20...100
Pressure rating [bar]	50
Pressure rating [MPa]	5
MAWP (for applications according to CRN) [bar]	50

# SA4300



## Flow sensor

SAEXXXBFRKG/US-100

Electrical data		
Operating voltage	[V]	18...30 DC
Current consumption	[mA]	< 100
Protection class		III
Reverse polarity protection		yes
Power-on delay time	[s]	10
Inputs / outputs		
Number of inputs and outputs		Number of digital outputs: 2; Number of analog outputs: 1
Outputs		
Total number of outputs		2
Output signal		switching signal; analog signal; frequency signal; IO-Link; (configurable)
Electrical design		PNP/NPN
Number of digital outputs		2
Output function		normally open / closed; (configurable)
Max. voltage drop switching output DC	[V]	2.5
Permanent current rating of switching output DC	[mA]	250
Number of analog outputs		1
Analog current output	[mA]	4...20; (scalable)
Max. load	[Ω]	350
Short-circuit protection		yes
Type of short-circuit protection		yes (non-latching)
Overload protection		yes
Frequency of the output	[Hz]	0...1000
Measuring/setting range		
Probe length L	[mm]	200
Operating mode		relative; absolutely liquid; absolutely gaseous; (absolute: reference measurement recommended; Factory setting: relative)
Temperature monitoring		
Measuring range	[°C]	-20...100
Resolution	[°C]	0.2
Liquid media - absolute operating mode		
Setting range	[m/s]	0.04...3
Greatest sensitivity	[m/s]	0.04...3
Liquid media - relative operating mode		
Setting range	[m/s]	0.04...6
Greatest sensitivity	[m/s]	0.04...3
Gases - operating mode "absolute"		
Setting range	[m/s]	0...100
Greatest sensitivity	[m/s]	30...100
Gases - operating mode "relative"		
Setting range	[m/s]	0...200

# SA4300



## Flow sensor

SAEXXXBFRKG/US-100

Greatest sensitivity	[m/s]	30...100								
<b>Accuracy / deviations</b>										
Temperature drift	[cm/s x 1/K]	0,003 m/s x 1/K (< 20 °C; > 70 °C)								
Max. temperature gradient of medium	[K/min]	100								
<b>Absolute operating mode</b>										
Repeatability		0,05 m/s; (water; Flow velocity: 0,05...3 m/s)								
<b>Relative operating mode</b>										
Accuracy		± (7 % MW + 2 % MEW); (for relative mode in the range of maximum sensitivity under the following conditions:; water: 20...70 °C; inlet length: 1.5 m; DN25 (DIN 2448); mounting position according to instructions; Accuracy can differ for other media and mounting positions.)								
Repeatability		0,05 m/s; (water; Flow velocity: 0,05...3 m/s)								
<b>Temperature monitoring</b>										
Temperature drift		± 0,005 K/°C								
Accuracy	[K]	± 0,3 / ± 1; (water; Flow velocity: 0,3...3 m/s / air; Flow velocity: > 10 m/s)								
<b>Reaction times</b>										
Response time	[s]	0.5; (T09; water; glycol: 0,8 s; air: 7 s; oil: 1,8 s; each T09)								
<b>Temperature monitoring</b>										
Dynamic response T05 / T09	[s]	1,5 (T09); (water; Flow velocity: 0,3...3 m/s)								
<b>Software / programming</b>										
Parameter setting options		hysteresis / window; normally open / closed; switching logic; current/frequency output; medium selection; Damping; Teach function; display can be rotated and switched off; standard unit of measurement; process value color								
<b>Interfaces</b>										
Communication interface		IO-Link								
Transmission type		COM2 (38,4 kBaud)								
IO-Link revision		1.1								
SDCI standard		IEC 61131-9								
Profiles		Smart Sensor: Process Data Variable; Device Identification, Device Diagnosis								
SIO mode		yes								
Required master port class		A								
Process data analog		2								
Process data binary		2								
Min. process cycle time	[ms]	3								
Supported DeviceIDs		<table border="1"> <thead> <tr> <th>Type of operation</th> <th>DeviceID</th> </tr> </thead> <tbody> <tr> <td>Factory setting / ModE = (REL)</td> <td>533</td> </tr> <tr> <td>ModE = (GAS)</td> <td>547</td> </tr> <tr> <td>ModE = (LIQU)</td> <td>540</td> </tr> </tbody> </table>	Type of operation	DeviceID	Factory setting / ModE = (REL)	533	ModE = (GAS)	547	ModE = (LIQU)	540
Type of operation	DeviceID									
Factory setting / ModE = (REL)	533									
ModE = (GAS)	547									
ModE = (LIQU)	540									
<b>Operating conditions</b>										
Ambient temperature	[°C]	-40...80								
Storage temperature	[°C]	-40...100								
Protection		IP 65; IP 67								
<b>Tests / approvals</b>										
EMC		DIN EN 60947-5-9								

# SA4300



## Flow sensor

SAEXXXBFRKG/US-100

Shock resistance	DIN EN 60068-2-27	50 g (11 ms)
Vibration resistance	DIN EN 60068-2-6	2 g (10...2000 Hz)
MTTF [years]		180
UL approval	UL approval number	I017
	File number UL	E174189

### Mechanical data

Weight [g]	345.5
Material	stainless steel (1.4404 / 316L); PBT-GF20; PBT-GF30
Materials (wetted parts)	stainless steel (1.4404 / 316L)
Process connection	Ø 8 mm

### Displays / operating elements

Display	Display unit	6 x LED, green (% , m/s, l/min, m <sup>3</sup> /h, °C, 10 <sup>3</sup> )
	Switching status	2 x LED, yellow
	Measured values	alphanumeric display, red/green 4-digit

### Remarks

Remarks	MW = Measured value
	MEW = Final value of the measuring range
Pack quantity	1 pcs.

### Electrical connection

Connector: 1 x M12; coding: A; Contacts: gold-plated



# SA4300



## Flow sensor

SAEXXXBFRKG/US-100

### Connection



Colors to DIN EN 60947-5-2

#### OUT1:

- Switching output Volumetric flow quantity monitoring
- Frequency output Volumetric flow quantity monitoring
- IO-Link

#### OUT2:

- Switching output Volumetric flow quantity monitoring
- Switching output Temperature monitoring
- analog output Volumetric flow quantity monitoring
- analog output Temperature monitoring
- Frequency output Volumetric flow quantity monitoring
- Frequency output Temperature monitoring
- Input External Teach

Core colors :

- BK = black
- BN = brown
- BU = blue
- WH = white