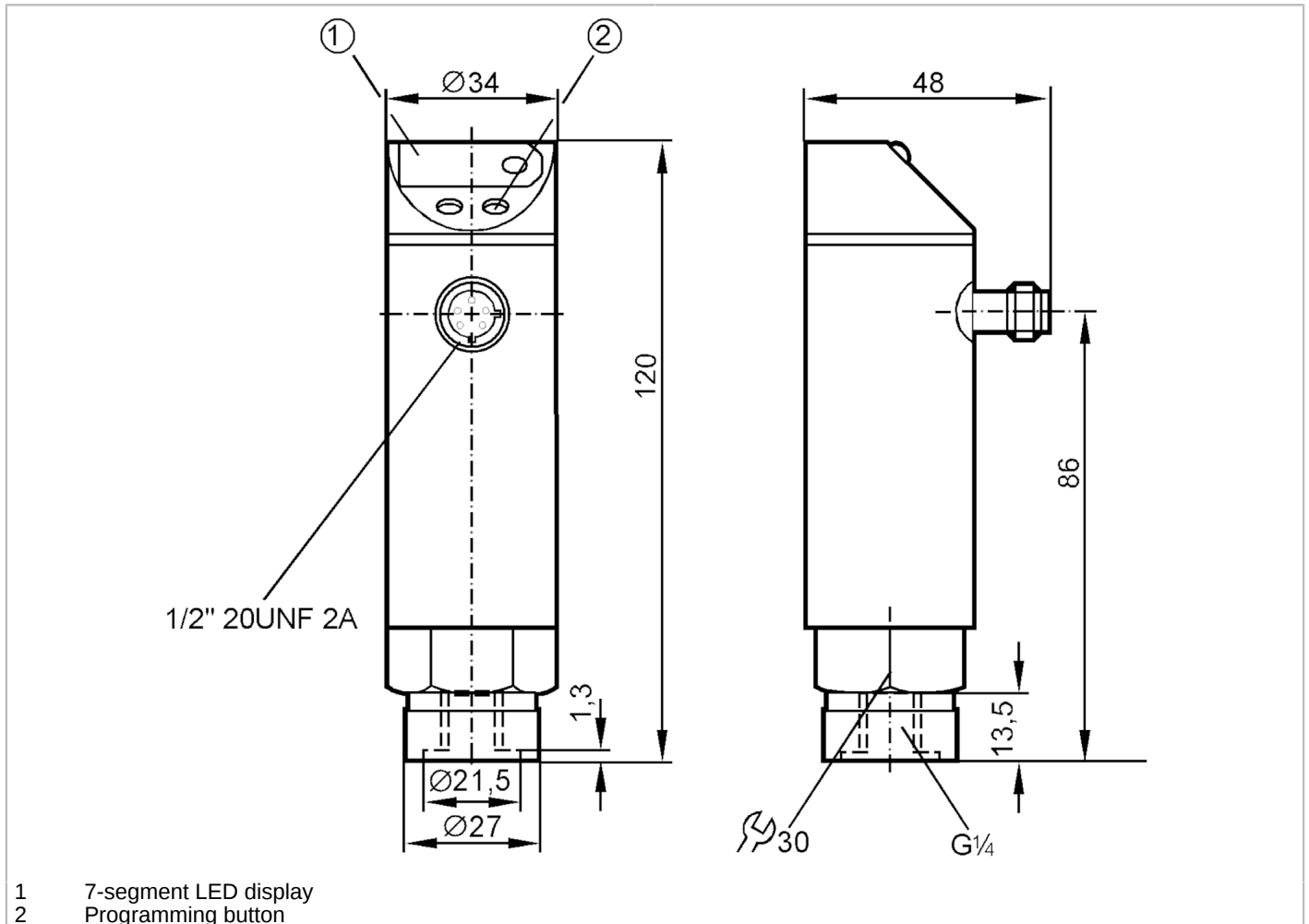


# PY9920



## Pressure sensor with display

PN-400-SBR14-HFBOW/LS/ IV



### Product characteristics

Number of inputs and outputs	Number of digital outputs: 1		
Measuring range	0...400 bar	0...5800 psi	0...40 MPa
Process connection	threaded connection G 1/4 Internal thread		

### Application

Medium temperature	[°C]	-25...80		
Min. bursting pressure		1000 bar	14500 psi	100 MPa
Pressure rating		600 bar	8700 psi	60 MPa

### Electrical data

Operating voltage tolerance	[%]	5...10		
Operating voltage	[V]	85...265 AC		
Nominal voltage AC	[V]	< 250		
Current consumption	[mA]	< 10		
Min. insulation resistance	[MΩ]	100; (500 V DC)		
Protection class		II		
Reverse polarity protection		no		
Power-on delay time	[s]	0.2		

# PY9920



## Pressure sensor with display

PN-400-SBR14-HFBOW/LS/ /V


Integrated watchdog	yes		
<b>Inputs / outputs</b>			
Number of inputs and outputs	Number of digital outputs: 1		
<b>Outputs</b>			
Total number of outputs	1		
Output signal	switching signal		
Electrical design	Triac		
Number of digital outputs	1		
Output function	normally open / closed; (configurable)		
Max. voltage drop switching output AC [V]	2		
Permanent current rating of switching output AC [mA]	250; ((...70 °C) 1000 (...60 °C) 1500 (...45 °C) 2500 (...20 °C))		
Switching frequency AC [Hz]	< 160		
Short-circuit proof	no		
Overload protection	no		
<b>Measuring/setting range</b>			
Measuring range	0...400 bar	0...5800 psi	0...40 MPa
Set point SP	4...400 bar	60...5800 psi	0.4...40 MPa
Reset point rP	2...398 bar	30...5770 psi	0.2...39.8 MPa
In steps of	1 bar	10 psi	0.1 MPa
<b>Accuracy / deviations</b>			
Switch point accuracy [% of the span]	< ± 1,0		
Repeatability [% of the span]	< ± 0,1; (with temperature fluctuations < 10 K)		
Linearity deviation [% of the span]	< ± 0,5		
Hysteresis deviation [% of the span]	< ± 0,1		
Long-term stability [% of the span]	< ± 0,1; (per year)		
Temperature coefficient zero point [% of the span / 10 K]	< ± 0,2; (-25...80 °C)		
Temperature coefficient span [% of the span / 10 K]	< ± 0,3; (-25...80 °C)		
<b>Reaction times</b>			
Delay time programmable dS, dr [s]	0, 0,2,...10, 11,...50		
Damping process value dAP [s]	0...4		
<b>Software / programming</b>			
Adjustment of the switch point	Programming button		
Parameter setting options	hysteresis / window; normally open / closed; switch-on/switch-off delay; Damping; adaptation of displayed values; display can be rotated and switched off; Display unit		

# PY9920



## Pressure sensor with display

PN-400-SBR14-HFBOW/LS/ /V

Operating conditions		
Ambient temperature	[°C]	-25...80
Storage temperature	[°C]	-40...100
Protection		IP 67
Tests / approvals		
EMC	EN 61000-4-2 ESD	4 kV CD / 8 kV AD
	EN 61000-4-3 HF radiated	10 V/m
	EN 61000-4-4 Burst	2 kV
	EN 61000-4-6 HF conducted	10 V
Shock resistance	DIN IEC 68-2-27	50 g (11 ms)
Vibration resistance	DIN IEC 68-2-6	20 g (10...2000 Hz)
MTTF	[years]	224.58
Pressure equipment directive		sound engineering practice; can be used for group 2 fluids; group 1 fluids on request
Mechanical data		
Weight	[g]	387
Material		FKM; PA; PBT; PC; stainless steel (1.4301 / 304)
Materials (wetted parts)		stainless steel (1.4305 / 303); ceramics; FKM
Min. pressure cycles		100 million
Process connection		threaded connection G 1/4 Internal thread
Restrictor element integrated		yes
Displays / operating elements		
Display	Switching status	LED, red
	Function display	7-segment LED display
	Measured values	7-segment LED display
Display unit		bar; psi; MPa
Electrical connection		
Required protection		miniature fuse to IEC60127-2 sheet 1; ≤ 5 A; fast acting
Remarks		
Remarks		n.c. = not used
Pack quantity		1 pcs.
Electrical connection		
Connector: 1 x 1/2"; coding: C		
		

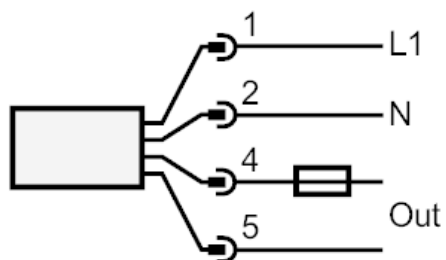
# PY9920



## Pressure sensor with display

PN-400-SBR14-HFBOW/LS/ IV

### Connection



Note miniature fuse to IEC60127-2 sheet 1  $\leq 5$  A fast acting