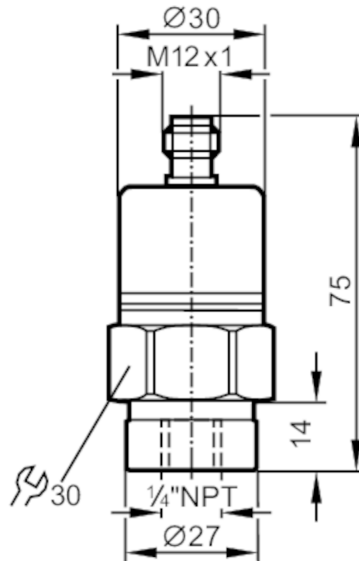


# PX9224



## Pressure transmitter with ceramic measuring cell

PA-010PRBN14-C-DVG/US/ IV



### Product characteristics

|                              |  |
|------------------------------|--|
| Number of inputs and outputs | Number of analog outputs: 1                  |
| Measuring range [psi]        | 0...100                                      |
| Process connection           | threaded connection 1/4" NPT Internal thread |

### Application

|                              |                             |
|------------------------------|-----------------------------|
| System                       | gold-plated contacts        |
| Application                  | for industrial applications |
| Media                        | liquids and gases           |
| Medium temperature [°C]      | -25...90                    |
| Min. bursting pressure [psi] | 2175                        |
| Pressure rating [psi]        | 1087                        |
| Type of pressure             | relative pressure           |

### Electrical data

|                                 |                 |
|---------------------------------|-----------------|
| Operating voltage [V]           | 10...30 DC      |
| Current consumption [mA]        | < 18            |
| Min. insulation resistance [MΩ] | 100; (500 V DC) |
| Protection class                | III             |
| Reverse polarity protection     | yes             |

### Inputs / outputs

|                              |                             |
|------------------------------|-----------------------------|
| Number of inputs and outputs | Number of analog outputs: 1 |
|------------------------------|-----------------------------|

### Outputs

|                          |               |
|--------------------------|---------------|
| Total number of outputs  | 1             |
| Output signal            | analog signal |
| Number of analog outputs | 1             |

# PX9224



## Pressure transmitter with ceramic measuring cell

PA-010PRBN14-C-DVG/US/ IV

|                                    |                           |   |
|------------------------------------|---------------------------|---|
| Analog voltage output              | [V]                       | 1...5   |
| Min. load resistance               | [Ω]                       | 2000  |
| Overload protection                |                           | yes   |
| <b>Measuring/setting range</b>     |                           |   |
| Measuring range                    | [psi]                     | 0...100   |
| <b>Accuracy / deviations</b>       |                           |   |
| Repeatability                      | [% of the span]           | < 0,1; (with temperature fluctuations < 10 K)   |
| Characteristics deviation          | [% of the span]           | < ± 0,25 (BFSL) / < ± 0,5 (LS); (BFSL = Best Fit Straight Line; LS = limit value setting) |
| Long-term stability                | [% of the span]           | < ± 0,05; (per 6 months)  |
| Temperature coefficient zero point | [% of the span / 10 K]    | 0,2; (0...80 °C)  |
| Temperature coefficient span       | [% of the span / 10 K]    | 0,2; (0...80 °C)  |
| <b>Reaction times</b>              |                           |   |
| Step response time analog output   | [ms]                      | 3   |
| <b>Operating conditions</b>        |                           |   |
| Ambient temperature                | [°C]                      | -25...80  |
| Storage temperature                | [°C]                      | -40...100   |
| Protection                         |                           | IP 65   |
| <b>Tests / approvals</b>           |                           |   |
| EMC                                | EN 61000-4-2 ESD          | 4 kV CD / 8 kV AD   |
|                                    | EN 61000-4-3 HF radiated  | 30 V/m  |
|                                    | EN 61000-4-4 Burst        | 2 kV  |
|                                    | EN 61000-4-6 HF conducted | 10 V  |
|                                    | radiation of interference | according to the automotive directive 2004/104/EC / CISPR 25                              |
|                                    | noise immunity            | according to the automotive directive 2004/104/EC / ISO 11452-2                           |
|                                    | HF radiated               | 100 V/m   |
|                                    | pulse resistance          | ISO 7637-2 / severity level 3   |
| Shock resistance                   | DIN IEC 68-2-27           | 50 g (11 ms)  |
| Vibration resistance               | DIN IEC 68-2-6            | 20 g (10...2000 Hz)   |
| MTTF                               | [years]                   | 550   |
| Pressure equipment directive       |                           | sound engineering practice; can be used for group 2 fluids; group 1 fluids on request     |
| <b>Mechanical data</b>             |                           |   |
| Weight                             | [g]                       | 222   |
| Material                           |                           | stainless steel (1.4404 / 316L); FKM; PA; EPDM/X  |
| Materials (wetted parts)           |                           | stainless steel (1.4305 / 303); ceramics; FKM   |
| Min. pressure cycles               |                           | 100 million   |
| Process connection                 |                           | threaded connection 1/4" NPT Internal thread  |
| Restrictor element integrated      |                           | no (can be retrofitted)   |

# PX9224



## Pressure transmitter with ceramic measuring cell

PA-010PRBN14-C-DVG/US/ IV

### Remarks

Pack quantity

1 pcs.

### Electrical connection

Connector: 1 x M12; coding: A; Contacts: gold-plated



### Connection

