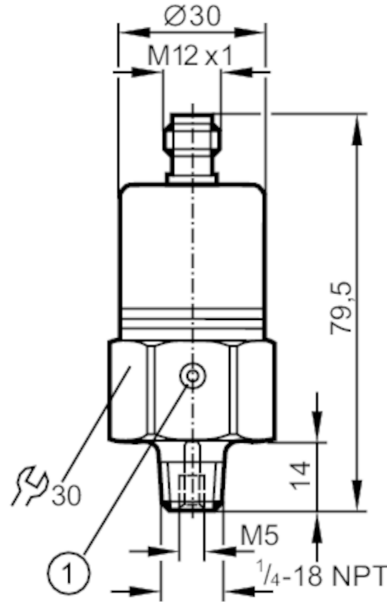


# PX9134



## Pressure transmitter with ceramic measuring cell

PA-020PRBN14-B-DVG/US/ IV



1 ventilation



### Product characteristics

Number of inputs and outputs	Number of analog outputs: 1
Measuring range [psi]	0...200
Process connection	threaded connection 1/4" NPT external thread Internal thread:M5

### Application

System	gold-plated contacts
Application	for industrial applications
Media	liquids and gases
Medium temperature [°C]	-25...90
Min. bursting pressure [psi]	2175
Pressure rating [psi]	1087
Type of pressure	relative pressure

### Electrical data

Operating voltage [V]	16...32 DC
Current consumption [mA]	< 18
Min. insulation resistance [MΩ]	100; (500 V DC)
Protection class	III
Reverse polarity protection	yes

### Inputs / outputs

Number of inputs and outputs	Number of analog outputs: 1
------------------------------	-----------------------------

### Outputs

Total number of outputs	1
Output signal	analog signal

# PX9134



## Pressure transmitter with ceramic measuring cell

PA-020PRBN14-B-DVG/US/ IV

Number of analog outputs		1
Analog voltage output	[V]	0...10
Min. load resistance	[Ω]	2000
Overload protection		yes

### Measuring/setting range

Measuring range	[psi]	0...200
-----------------	-------	---------

### Accuracy / deviations

Repeatability	[% of the span]	< 0,1; (with temperature fluctuations < 10 K)
Characteristics deviation	[% of the span]	< ± 0,35 (BFSL) / < ± 0,75 (LS); (BFSL = Best Fit Straight Line; LS = limit value setting)
Long-term stability	[% of the span]	< ± 0,05; (per 6 months)
Temperature coefficient zero point	[% of the span / 10 K]	0,15; (0...80 °C)
Temperature coefficient span	[% of the span / 10 K]	0,2; (0...80 °C)

### Reaction times

Step response time analog output	[ms]	3
----------------------------------	------	---

### Operating conditions

Ambient temperature	[°C]	-25...80
Storage temperature	[°C]	-40...100
Protection		IP 65

### Tests / approvals

EMC	EN 61000-4-2 ESD	4 kV CD / 8 kV AD
	EN 61000-4-3 HF radiated	30 V/m
	EN 61000-4-4 Burst	2 kV
	EN 61000-4-6 HF conducted	10 V
	radiation of interference	according to the automotive directive 2004/104/EC / CISPR 25
	noise immunity	according to the automotive directive 2004/104/EC / ISO 11452-2
	HF radiated	100 V/m
pulse resistance	ISO 7637-2 / severity level 3	
Shock resistance	DIN IEC 68-2-27	50 g (11 ms)
Vibration resistance	DIN IEC 68-2-6	20 g (10...2000 Hz)
MTTF	[years]	550
Pressure equipment directive		sound engineering practice; can be used for group 2 fluids; group 1 fluids on request

### Mechanical data

Weight	[g]	212.5
Material		stainless steel (1.4404 / 316L); FKM; PA; EPDM/X
Materials (wetted parts)		stainless steel (1.4305 / 303); ceramics; FKM
Min. pressure cycles		100 million
Process connection		threaded connection 1/4" NPT external thread Internal thread:M5
Restrictor element integrated		no (can be retrofitted)

# PX9134



## Pressure transmitter with ceramic measuring cell

PA-020PRBN14-B-DVG/US/ IV

### Remarks

Pack quantity

1 pcs.

### Electrical connection

Connector: 1 x M12; coding: A; Contacts: gold-plated



### Connection

