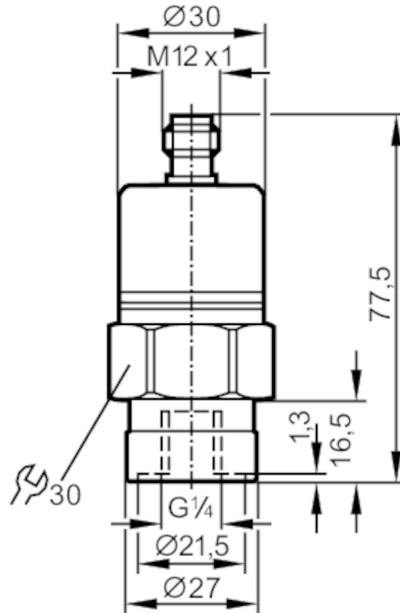


PX9020



Pressure transmitter with ceramic measuring cell

PA-400-SBR14-B-DVG/US/ IV



Product characteristics

Number of inputs and outputs	Number of analog outputs: 1
Measuring range [bar]	0...400
Process connection	threaded connection G 1/4 Internal thread

Application

System	gold-plated contacts
Application	for industrial applications
Media	liquids and gases
Conditionally suitable for	For gaseous media the application is limited to max. 25 bar.
Medium temperature [°C]	-25...90; (on request: -40...90 °C)
Min. bursting pressure [bar]	1000
Pressure rating [bar]	600
Type of pressure	relative pressure

Electrical data

Operating voltage [V]	10...30 DC
Current consumption [mA]	< 18
Min. insulation resistance [MΩ]	100; (500 V DC)
Protection class	III
Reverse polarity protection	yes

Inputs / outputs

Number of inputs and outputs	Number of analog outputs: 1
------------------------------	-----------------------------

Outputs

Total number of outputs	1
Output signal	analog signal

PX9020



Pressure transmitter with ceramic measuring cell

PA-400-SBR14-B-DVG/US/ IV

Number of analog outputs		1
Analog voltage output [V]		0.5...4.5
Min. load resistance [Ω]		2000
Overload protection		yes
Measuring/setting range		
Measuring range [bar]		0...400
Accuracy / deviations		
Repeatability [% of the span]		< 0,1; (with temperature fluctuations < 10 K)
Characteristics deviation [% of the span]		< \pm 0,25 (BFSL) / < \pm 0,5 (LS); (BFSL = Best Fit Straight Line; LS = limit value setting)
Long-term stability [% of the span]		< \pm 0,05; (per 6 months)
Temperature coefficient zero point [% of the span / 10 K]		0,4; (0...80 °C)
Temperature coefficient span [% of the span / 10 K]		0,4; (0...80 °C)
Reaction times		
Step response time analog output [ms]		3
Operating conditions		
Ambient temperature [°C]		-25...80
Storage temperature [°C]		-40...100
Protection		IP 68; IP 69K
Tests / approvals		
EMC	EN 61000-4-2 ESD	4 kV CD / 8 kV AD
	EN 61000-4-3 HF radiated	30 V/m
	EN 61000-4-4 Burst	2 kV
	EN 61000-4-6 HF conducted	10 V
Shock resistance	DIN IEC 68-2-27	50 g (11 ms)
Vibration resistance	DIN IEC 68-2-6	20 g (10...2000 Hz)
MTTF [years]		550
Pressure equipment directive		sound engineering practice; can be used for group 2 fluids; group 1 fluids on request
Mechanical data		
Weight [g]		221.5
Material		stainless steel (1.4404 / 316L); FKM; PA; EPDM/X
Materials (wetted parts)		stainless steel (1.4305 / 303); ceramics; FKM
Min. pressure cycles		100 million
Process connection		threaded connection G 1/4 Internal thread
Restrictor element integrated		yes
Remarks		
Pack quantity		1 pcs.

PX9020



Pressure transmitter with ceramic measuring cell

PA-400-SBR14-B-DVG/US/ IV

Electrical connection

Connector: 1 x M12; coding: A; Contacts: gold-plated



Connection

