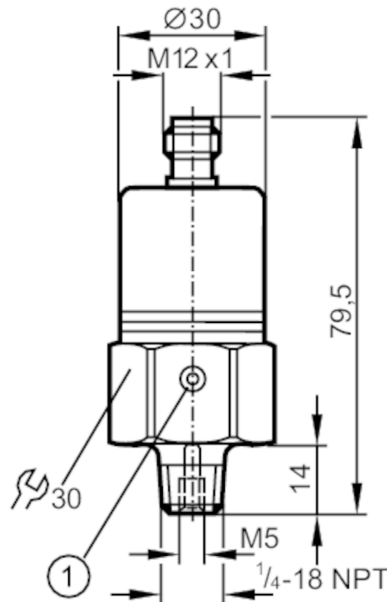


# PX3289



## Pressure transmitter with ceramic measuring cell

PA-,10BRBN14-A-ZVG/US/ IV



1 ventilation



### Product characteristics

Number of inputs and outputs	Number of analog outputs: 1				
Measuring range	0...0.1 bar	0...100 mbar	0...1.45 psi	0...40.16 inH2O	0...10 kPa
Process connection	threaded connection 1/4" NPT external thread Internal thread:M5				

### Application

System	gold-plated contacts				
Application	for industrial applications				
Media	liquids and gases				
Medium temperature [°C]	-25...90; (on request: -40...90 °C)				
Min. bursting pressure	30000 mbar	435 psi	12030 inH2O	3000 kPa	
Pressure rating	4000 mbar	58 psi	1606 inH2O	400 kPa	
Type of pressure	relative pressure				

### Electrical data

Operating voltage [V]	9.6...32 DC				
Min. insulation resistance [MΩ]	100; (500 V DC)				
Protection class	III				
Reverse polarity protection	yes				

### Inputs / outputs

Number of inputs and outputs	Number of analog outputs: 1				
------------------------------	-----------------------------	--	--	--	--

### Outputs

Total number of outputs	1				
Output signal	analog signal				
Number of analog outputs	1				
Analog current output [mA]	4...20				

# PX3289



## Pressure transmitter with ceramic measuring cell

PA-,10BRBN14-A-ZVG/US/ IV

Max. load	[Ω]	720; (U <sub>b</sub> = 24 V; (U <sub>b</sub> - 9,6 V) / 20 mA)				
Overload protection		yes				
<b>Measuring/setting range</b>						
Measuring range		0...0.1 bar	0...100 mbar	0...1.45 psi	0...40.16 inH <sub>2</sub> O	0...10 kPa
<b>Accuracy / deviations</b>						
Repeatability	[% of the span]	< 0,2; (with temperature fluctuations < 10 K)				
Characteristics deviation	[% of the span]	< ± 0,5 (BFSL) / < ± 1 (LS); (BFSL = Best Fit Straight Line; LS = limit value setting)				
Long-term stability	[% of the span]	< ± 0,1; (per 6 months)				
Temperature coefficient zero point	[% of the span / 10 K]	< ± 0,5; (0...80 °C)				
Temperature coefficient span	[% of the span / 10 K]	< ± 0,5; (0...80 °C)				
<b>Reaction times</b>						
Step response time analog output	[ms]	3				
<b>Operating conditions</b>						
Ambient temperature	[°C]	-25...80				
Storage temperature	[°C]	-40...100				
Protection		IP 68				
<b>Tests / approvals</b>						
EMC	EN 61000-4-2 ESD	4 kV CD / 8 kV AD				
	EN 61000-4-3 HF radiated	30 V/m				
	EN 61000-4-4 Burst	2 kV				
	EN 61000-4-6 HF conducted radiation of interference	10 V according to the automotive directive 2004/104/EC				
	CISPR 25 noise immunity	according to the automotive directive 2004/104/EC				
	ISO 11452-2 HF radiated	100 V/m				
	ISO 7637-2 pulse	severity level 3				
Shock resistance	DIN EN 60068-2-27	50 g (11 ms)				
	DIN EN 61373	Category 3				
Vibration resistance	DIN EN 60068-2-6	20 g (10...2000 Hz)				
	DIN EN 61373	Category 2				
MTTF	[years]	555				
UL approval		File number UL	E174189			
Pressure equipment directive		sound engineering practice; can be used for group 2 fluids; group 1 fluids on request				
<b>Mechanical data</b>						
Weight	[g]	210.1				
Material		stainless steel (1.4404 / 316L); FKM; PA; EPDM/X				
Materials (wetted parts)		stainless steel (1.4305 / 303); ceramics; FKM				
Min. pressure cycles		100 million				
Tightening torque	[Nm]	50; (recommended tightening torque; Depends on lubrication, seal and pressure rating)				

# PX3289



## Pressure transmitter with ceramic measuring cell

PA-,10BRBN14-A-ZVG/US/ IV

Process connection	threaded connection 1/4" NPT external thread Internal thread:M5
Restrictor element integrated	no (can be retrofitted)

### Remarks

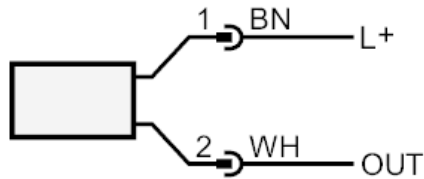
Pack quantity	1 pcs.
---------------	--------

### Electrical connection

Connector: 1 x M12; coding: A; Contacts: gold-plated



### Connection



OUT            analog output  
                 Colors to DIN EN 60947-5-2  
                 Core colors :  
BN =            brown  
WH =            white