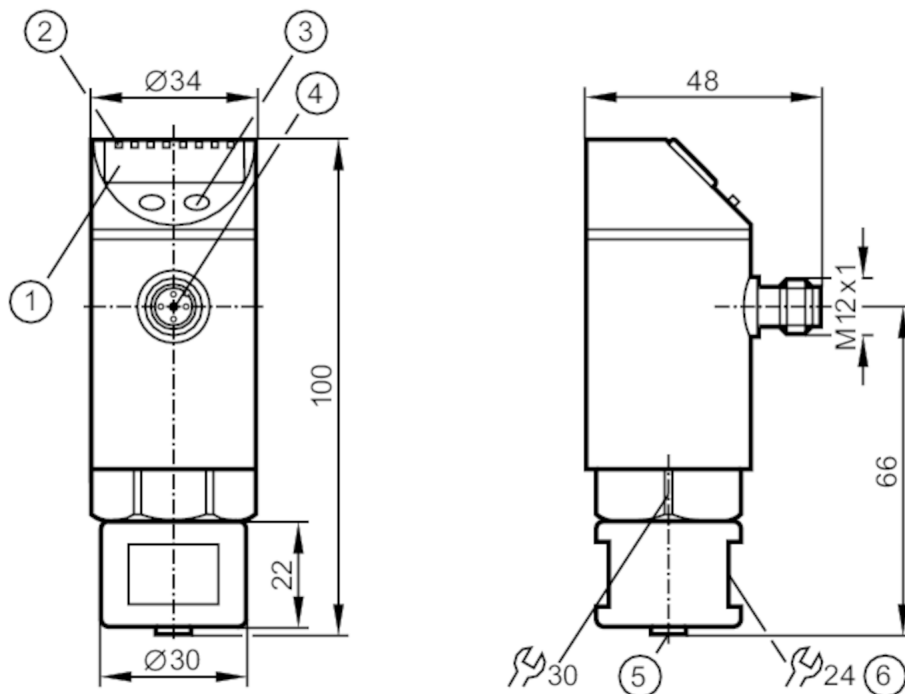


PP2001



Programming/display unit

PP-PRG- /QFRKG/US/ /



- 1 alphanumeric display 4-digit
- 2 LEDs Display unit / Switching status
- 3 Programming button
- 4 connection for voltage supply and output signals
- 5 connection for sensor
- 6 Mounting nut



Application

System	gold-plated contacts
Application	for industrial applications

Electrical data

Operating voltage [V]	18...32 DC
Current consumption [mA]	< 40
Min. insulation resistance [MΩ]	100; (500 V DC)
Protection class	III
Reverse polarity protection	yes
Power-on delay time [s]	1.5...10; (depending on the connected sensor)

Outputs

Max. voltage drop switching output DC [V]	2
Permanent current rating of switching output DC [mA]	250
Short-circuit protection	yes
Type of short-circuit protection	yes (non-latching)
Overload protection	yes

PP2001



Programming/display unit

PP-PRG- /QFRKG/US/ /

Reaction times

Max. measuring/display cycle [ms]	200
-----------------------------------	-----

Software / programming

Parameter setting options	depending on the connected sensor
---------------------------	-----------------------------------

Operating conditions

Ambient temperature [°C]	-25...80
Storage temperature [°C]	-40...100
Protection	IP 67; (for unit with screwed-on connectors)

Tests / approvals

EMC	EN 61000-4-2 ESD	4 kV CD / 8 kV AD
	EN 61000-4-3 HF radiated	10 V/m
	EN 61000-4-4 Burst	2 kV
	EN 61000-4-6 HF conducted	10 V
Shock resistance	DIN IEC 68-2-27	50 g (11 ms)
Vibration resistance	DIN IEC 68-2-6	20 g (10...2000 Hz)
MTTF [years]		229

Mechanical data

Weight [g]	333.5
Dimensions [mm]	100 x 34 x 48
Material	stainless steel (1.4404 / 316L); CO-PC; PBT; FKM

Displays / operating elements

Display	Display unit	6 x LED, green
	Switching status	2 x LED, yellow
	Function display	alphanumeric display, 4-digit
	Measured values	alphanumeric display, 4-digit

Accessories

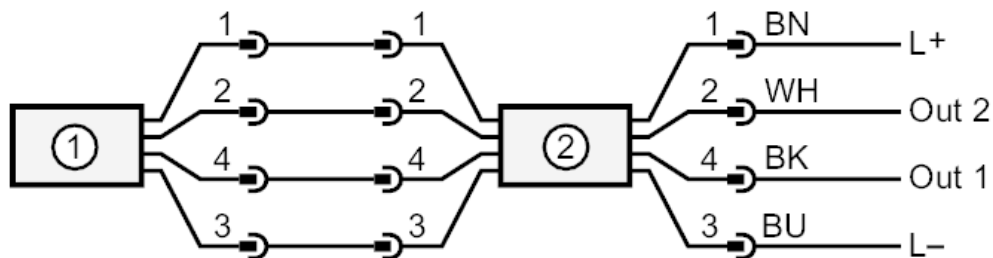
Items supplied	Patchcords: 0,8 m, for parameter setting in the offline mode
----------------	--

Remarks

Pack quantity	1 pcs.
---------------	--------

Electrical connection

Connection



1 = sensor
2 = PP2001

PP2001



Programming/display unit

PP-PRG- /QFRKG/US/ /

Connector: 1 x M12; Contacts: gold-plated
