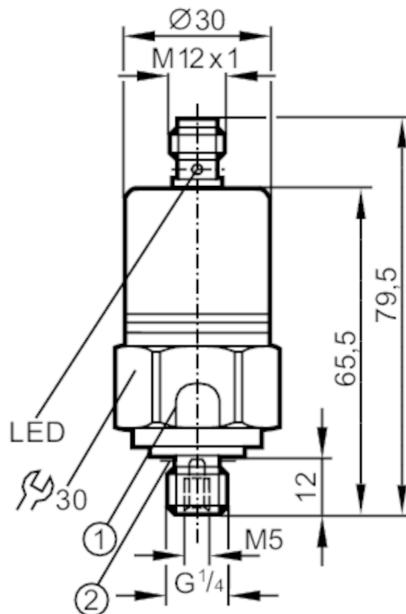


PP0520



Pressure switch with ceramic measuring cell

PP-400-SBG14-QFNKG/US/ IV



- 1 Pressure relief mechanism
No mechanical force must be exerted on the pressure relief mechanism.
- 2 sealing



Product characteristics

Number of inputs and outputs	Number of digital outputs: 2		
Measuring range	0...400 bar	0...5800 psi	0...40 MPa
Process connection	threaded connection G 1/4 external thread Internal thread:M5		

Application

Application	for industrial applications		
Media	liquids and gases		
Conditionally suitable for	use in gases at pressures > 25 bar only on request		
Medium temperature [°C]	-25...90		
Min. bursting pressure	1000 bar	14500 psi	100 MPa
Pressure rating	600 bar	8700 psi	60 MPa
Type of pressure	relative pressure		

Electrical data

Operating voltage [V]	9.6...36 DC; (communication mode: 18...32)		
Current consumption [mA]	< 45		
Min. insulation resistance [MΩ]	100; (500 V DC)		
Protection class	III		
Reverse polarity protection	yes		
Power-on delay time [s]	0.3		

Inputs / outputs

Number of inputs and outputs	Number of digital outputs: 2		
------------------------------	------------------------------	--	--

Outputs

Total number of outputs	2		
-------------------------	---	--	--

PP0520



Pressure switch with ceramic measuring cell

PP-400-SBG14-QFNKG/US/ IV

Output signal	switching signal
Electrical design	NPN
Number of digital outputs	2
Output function	normally open / closed; (configurable)
Max. voltage drop switching output DC [V]	2
Permanent current rating of switching output DC [mA]	250
Switching frequency DC [Hz]	170
Short-circuit protection	yes
Type of short-circuit protection	yes (non-latching)
Overload protection	yes

Measuring/setting range			
Measuring range	0...400 bar	0...5800 psi	0...40 MPa
Set point SP	4...400 bar	60...5790 psi	0.4...40 MPa
Reset point rP	2...398 bar	30...5760 psi	0.2...39.8 MPa
In steps of	2 bar	30 psi	0.2 MPa
Factory setting		SP1 = 100 bar	rP1 = 92 bar
		SP2 = 300 bar	rP2 = 292 bar
		OUT1 = Hno	OUT2 = Hno

Accuracy / deviations	
Switch point accuracy [% of the span]	< ± 0,5
Repeatability [% of the span]	< ± 0,1; (with temperature fluctuations < 10 K)
Characteristics deviation [% of the span]	< ± 0,25 (BFSL) / < ± 0,5 (LS); (BFSL = Best Fit Straight Line; LS = limit value setting)
Hysteresis deviation [% of the span]	< ± 0,1
Long-term stability [% of the span]	< ± 0,1; (per year)
Temperature coefficient zero point [% of the span / 10 K]	< ± 0,2; (0...80 °C)
Temperature coefficient span [% of the span / 10 K]	< ± 0,2; (0...80 °C)

Reaction times	
Response time [ms]	< 3
Damping process value dAP in steps [s]	0,003 - 0,006 - 0,010 - 0,017 - 0,060 - 0,125 - 0,250 - 0,500

Operating conditions	
Ambient temperature [°C]	-25...85
Storage temperature [°C]	-40...100
Protection	IP 68; (7 days / 1 m water depth / 0.1 bar)

PP0520



Pressure switch with ceramic measuring cell

PP-400-SBG14-QFNKG/US/ IV

Tests / approvals		
EMC	noise immunity	EN 61000-6-2
	EN 61000-4-2 ESD	4 kV contact discharge / 15 kV air discharge
	EN 61000-4-3 HF radiated	20 V/m
	EN 61000-4-4 Burst	4 kV coupling clamp
	EN 61000-4-5 Surge	0,5 kV supply / 1 kV signal for DC units
	EN 61000-4-6 HF conducted	30 V
Shock resistance	DIN IEC 60068-2-27 / DIN IEC 60068-2-29	1000 g
	DIN EN 61373	Category 3
Vibration resistance	DIN IEC 68-2-6	20 g (10...2000 Hz)
	DIN EN 60068-2-64	14 g
	DIN EN 61373	Category 2
MTTF [years]		309
Pressure equipment directive	sound engineering practice; can be used for group 2 fluids; group 1 fluids on request	

Mechanical data		
Weight [g]		216
Material	stainless steel (1.4301 / 304); FKM; EPDM/X; PA	
Materials (wetted parts)	stainless steel (1.4305 / 303); ceramics; FKM	
Min. pressure cycles		100 million
Process connection	threaded connection G 1/4 external thread Internal thread:M5	
Restrictor element integrated		yes

Displays / operating elements		
Display	Power	2 x LED, green
	Switching status	2 x LED, yellow
Teach function		yes

Remarks		
Pack quantity		1 pcs.

Electrical connection

Connector: 1 x M12; coding: A



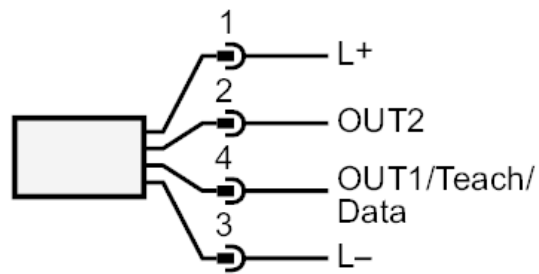
PP0520



Pressure switch with ceramic measuring cell

PP-400-SBG14-QFNKG/US/ IV

Connection



OUT1	Switching output
OUT2	Switching output
	Diagnostic output