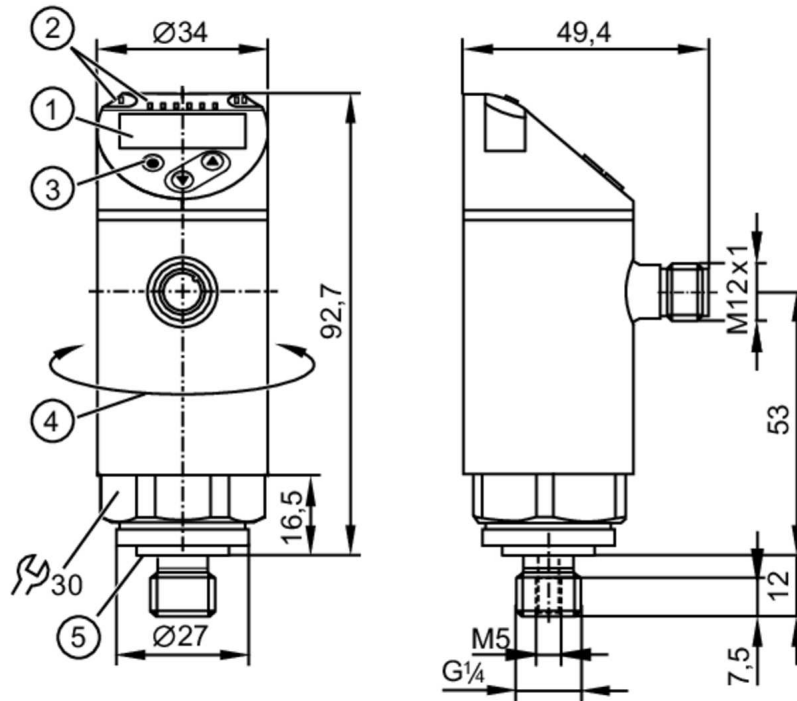


PN7514



Pressure sensor with display

PN-016-REG14-QFRKG/US/ IV



- 1 alphanumeric display 4-digit red/green
- 2 LEDs Display unit / Switching status
- 3 Programming button
- 4 upper part of the housing can be rotated 345°
- 5 sealing



Product characteristics

Number of inputs and outputs	Number of digital outputs: 2		
Measuring range	-1...16 bar	-14.6...232 psi	-0.1...1.6 MPa
Process connection	threaded connection G 1/4 external thread Internal thread:M5		

Application

System	gold-plated contacts		
Measuring element	ceramic-capacitive pressure measuring cell		
Application	for industrial applications		
Media	liquids and gases		
Medium temperature [°C]	-25...80		
Min. bursting pressure	150 bar	2200 psi	15 MPa
Pressure rating	85 bar	1250 psi	8.5 MPa
Vacuum resistance [mbar]	-1000		
Type of pressure	relative pressure; vacuum		

Electrical data

Operating voltage [V]	18...30 DC; (to SELV/PELV)		
Current consumption [mA]	< 35		
Min. insulation resistance [MΩ]	100; (500 V DC)		
Protection class	III		
Reverse polarity protection	yes		

PN7514



Pressure sensor with display

PN-016-REG14-QFRKG/US/ IV

Power-on delay time [s]	< 0.3
Integrated watchdog	yes

Inputs / outputs

Number of inputs and outputs	Number of digital outputs: 2
------------------------------	------------------------------

Outputs

Total number of outputs	2
Output signal	switching signal; IO-Link; (configurable)
Electrical design	PNP/NPN
Number of digital outputs	2
Output function	normally open / closed; (configurable)
Max. voltage drop switching output DC [V]	2.5
Permanent current rating of switching output DC [mA]	150; (200 (...60 °C) 250 (...40 °C))
Switching frequency DC [Hz]	< 170
Short-circuit protection	yes
Type of short-circuit protection	yes (non-latching)
Overload protection	yes

Measuring/setting range

Measuring range	-1...16 bar	-14.6...232 psi	-0.1...1.6 MPa
Set point SP	-0.87...16 bar	-12.6...232.1 psi	-0.087...1.6 MPa
Reset point rP	-0.95...15.92 bar	-13.8...230.9 psi	-0.095...1.592 MPa
Min. difference between SP and rP	0.08 bar	1.2 psi	0.008 MPa
In steps of	0.01 bar	0.1 psi	0.001 MPa

Accuracy / deviations

Switch point accuracy [% of the span]	< ± 0,5
Repeatability [% of the span]	< ± 0,1; (with temperature fluctuations < 10 K)
Characteristics deviation [% of the span]	< ± 0,25 (BFSL) / < ± 0,5 (LS); (BFSL = Best Fit Straight Line; LS = limit value setting)
Hysteresis deviation [% of the span]	< ± 0,25
Long-term stability [% of the span]	< ± 0,05; (per 6 months)
Temperature coefficient zero point [% of the span / 10 K]	< ± 0,2; (0...80 °C)
Temperature coefficient span [% of the span / 10 K]	< ± 0,2; (0...80 °C)

Reaction times

Response time [ms]	< 3
Delay time programmable dS, dr [s]	0...50
Damping process value dAP [s]	0...4



Pressure sensor with display

PN-016-REG14-QFRKG/US/ IV

Software / programming		
Parameter setting options	hysteresis / window; normally open / closed; switching logic; switch-on/switch-off delay; Damping; Display unit	
Interfaces		
Communication interface	IO-Link	
Transmission type	COM2 (38,4 kBaud)	
IO-Link revision	1.1	
SDCI standard	IEC 61131-9	
Profiles	Smart Sensor ED2: Digital Measuring Sensor (0x000A), Identification and Diagnosis (0x4000)	
SIO mode	yes	
Required master port class	A; (when pin 2 not connected: B)	
Min. process cycle time [ms]	3	
IO-Link resolution pressure [bar]	0.02	
IO-Link process data (cyclical)	Function	bit length
	pressure	16
	device status	4
	binary switching information	2
IO-Link functions (acyclical)	application specific tag	
Supported DeviceIDs	Type of operation	DeviceID
	default	1197
Note	For further information please see the IODD PDF file at "Downloads"	
Operating conditions		
Ambient temperature [°C]	-25...80	
Storage temperature [°C]	-40...100	
Protection	IP 65; IP 67	
Tests / approvals		
EMC	DIN EN 61000-6-2	
	DIN EN 61000-6-3	
Shock resistance	DIN EN 60068-2-27	50 g (11 ms)
Vibration resistance	DIN EN 60068-2-6	20 g (10...2000 Hz)
MTTF [years]		249
UL approval	UL approval number	J001
	File number UL	E174189
Pressure equipment directive	sound engineering practice; can be used for group 2 fluids; group 1 fluids on request	
Mechanical data		
Weight [g]	268	
Material	stainless steel (1.4404 / 316L); PBT+PC-GF30; PBT-GF20; PC	
Materials (wetted parts)	stainless steel (1.4404 / 316L); Al2O3 (ceramics); FKM	
Min. pressure cycles	100 million	
Tightening torque [Nm]	25...35; (recommended tightening torque; Depends on lubrication, seal and pressure rating)	
Process connection	threaded connection G 1/4 external thread Internal thread:M5	
Restrictor element integrated	no (can be retrofitted)	

PN7514



Pressure sensor with display

PN-016-REG14-QFRKG/US/ IV

Displays / operating elements

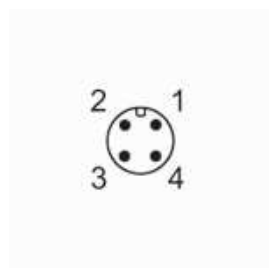
Display	Display unit	3 x LED, green (bar, psi, MPa)
	Switching status	2 x LED, yellow
	Measured values	alphanumeric display, red/green 4-digit

Remarks

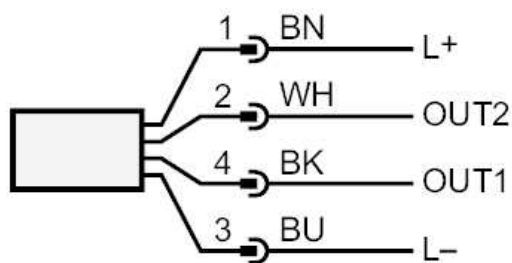
Pack quantity	1 pcs.
---------------	--------

Electrical connection

Connector: 1 x M12; coding: A; Contacts: gold-plated



Connection



- OUT1 Switching output
 IO-Link
- OUT2 Switching output
 Colors to DIN EN 60947-5-2
 Core colors :
- BK = black
- BN = brown
- BU = blue
- WH = white