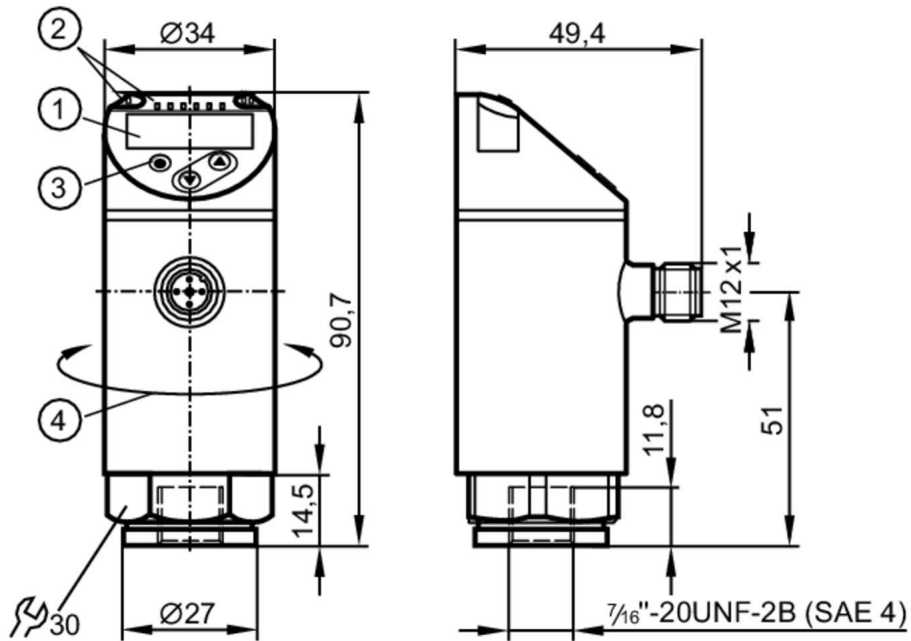


PN7392



Pressure sensor with display

PN-100-SEU76-QFRKG/US/ IV



- 1 alphanumeric display 4-digit red/green
- 2 LEDs Display unit / Switching status
- 3 Programming button
- 4 upper part of the housing can be rotated 345°



Product characteristics

Number of inputs and outputs	Number of digital outputs: 2		
Measuring range	0...100 bar	0...1450 psi	0...10 MPa
Process connection	threaded connection 7/16" - 20 UNF Internal thread		

Application

System	gold-plated contacts		
Measuring element	ceramic-capacitive pressure measuring cell		
Application	for industrial applications		
Media	Liquids		
Conditionally suitable for	use in gases at pressures > 25 bar only on request		
Medium temperature [°C]	-25...80		
Min. bursting pressure	650 bar	9400 psi	65 MPa
Pressure rating	300 bar	4350 psi	30 MPa
Type of pressure	relative pressure		

Electrical data

Operating voltage [V]	18...30 DC; (to SELV/PELV)		
Current consumption [mA]	< 35		
Min. insulation resistance [MΩ]	100; (500 V DC)		
Protection class	III		
Reverse polarity protection	yes		
Power-on delay time [s]	0.3		

PN7392



Pressure sensor with display

PN-100-SEU76-QFRKG/US/ IV

Integrated watchdog	yes		
Inputs / outputs			
Number of inputs and outputs	Number of digital outputs: 2		
Outputs			
Total number of outputs	2		
Output signal	switching signal; IO-Link; (configurable)		
Electrical design	PNP/NPN		
Number of digital outputs	2		
Output function	normally open / closed; (configurable)		
Max. voltage drop switching output DC [V]	2.5		
Permanent current rating of switching output DC [mA]	150; (200 (...60 °C) 250 (...40 °C))		
Switching frequency DC [Hz]	< 170		
Short-circuit protection	yes		
Type of short-circuit protection	yes (non-latching)		
Overload protection	yes		
Measuring/setting range			
Measuring range	0...100 bar	0...1450 psi	0...10 MPa
Factory setting / CMPT = 2			
Set point SP	1...100 bar	10...1450 psi	0.1...10 MPa
Reset point rP	0.5...99.5 bar	5...1445 psi	0.05...9.95 MPa
Min. difference between SP and rP	0.5 bar	10 psi	0.05 MPa
In steps of	0.5 bar	5 psi	0.05 MPa
Status_B High Resolution / CMPT = 3			
Set point SP	0.8...100 bar	12...1450 psi	0.08...10 MPa
Reset point rP	0.3...99.5 bar	5...1443 psi	0.03...9.95 MPa
Min. difference between SP and rP	0.5 bar	8 psi	0.05 MPa
In steps of	0.1 bar	1 psi	0.01 MPa
Accuracy / deviations			
Switch point accuracy [% of the span]	< ± 0,5		
Repeatability [% of the span]	< ± 0,1; (with temperature fluctuations < 10 K)		
Characteristics deviation [% of the span]	< ± 0,25 (BFSL) / < ± 0,5 (LS); (BFSL = Best Fit Straight Line; LS = limit value setting)		
Hysteresis deviation [% of the span]	< ± 0,25		
Long-term stability [% of the span]	< ± 0,05; (per 6 months)		
Temperature coefficient zero point [% of the span / 10 K]	< ± 0,2; (-0...80 °C)		
Temperature coefficient span [% of the span / 10 K]	< ± 0,2; (-0...80 °C)		

PN7392



Pressure sensor with display

PN-100-SEU76-QFRKG/US/ IV

Reaction times									
Delay time programmable dS, dr [s]	0...50								
Software / programming									
Parameter setting options	hysteresis / window; normally open / closed; switching logic; switch-on/switch-off delay; Damping; Display unit								
Interfaces									
Communication interface	IO-Link								
Transmission type	COM2 (38,4 kBaud)								
IO-Link revision	1.1								
SDCI standard	IEC 61131-9								
SIO mode	yes								
Required master port class	A; (when pin 2 not connected: B)								
Supported DeviceIDs	<table border="1"> <thead> <tr> <th>Type of operation</th> <th>DeviceID</th> </tr> </thead> <tbody> <tr> <td>Factory setting / CMPT = 2</td> <td>452</td> </tr> <tr> <td>Status_B High Resolution / CMPT = 3</td> <td>629</td> </tr> </tbody> </table>	Type of operation	DeviceID	Factory setting / CMPT = 2	452	Status_B High Resolution / CMPT = 3	629		
Type of operation	DeviceID								
Factory setting / CMPT = 2	452								
Status_B High Resolution / CMPT = 3	629								
Note	For further information please see the IODD PDF file at "Downloads"								
Factory setting / CMPT = 2									
Profiles	Smart Sensor: Process Data Variable; Device Identification, Device Diagnosis								
Min. process cycle time [ms]	2.3								
IO-Link resolution pressure [bar]	0.1								
IO-Link resolution pressure [MPa]	0.01								
IO-Link process data (cyclical)	<table border="1"> <thead> <tr> <th>Function</th> <th>bit length</th> </tr> </thead> <tbody> <tr> <td>pressure</td> <td>14</td> </tr> <tr> <td>binary switching information</td> <td>2</td> </tr> </tbody> </table>	Function	bit length	pressure	14	binary switching information	2		
Function	bit length								
pressure	14								
binary switching information	2								
IO-Link functions (acyclical)	application specific tag								
Status_B High Resolution / CMPT = 3									
Profiles	Smart Sensor ED2: Digital Measuring Sensor (0x000A), Identification and Diagnosis (0x4000)								
Min. process cycle time [ms]	3								
IO-Link resolution pressure [bar]	0.05								
IO-Link resolution pressure [MPa]	0.005								
IO-Link process data (cyclical)	<table border="1"> <thead> <tr> <th>Function</th> <th>bit length</th> </tr> </thead> <tbody> <tr> <td>pressure</td> <td>16</td> </tr> <tr> <td>device status</td> <td>4</td> </tr> <tr> <td>binary switching information</td> <td>2</td> </tr> </tbody> </table>	Function	bit length	pressure	16	device status	4	binary switching information	2
Function	bit length								
pressure	16								
device status	4								
binary switching information	2								
IO-Link functions (acyclical)	application specific tag								
Operating conditions									
Ambient temperature [°C]	-25...80								
Storage temperature [°C]	-40...100								
Protection	IP 65; IP 67								
Tests / approvals									
EMC	DIN EN 61000-6-2								
	DIN EN 61000-6-3								
Shock resistance	DIN EN 60068-2-27 50 g (11 ms)								
Vibration resistance	DIN EN 60068-2-6 20 g (10...2000 Hz)								

PN7392



Pressure sensor with display

PN-100-SEU76-QFRKG/US/ IV

MTTF	[years]	260
UL approval	UL approval number	J002
Pressure equipment directive	sound engineering practice; can be used for group 2 fluids; group 1 fluids on request	

Mechanical data

Weight	[g]	260.5
Material	stainless steel (1.4404 / 316L); PBT+PC-GF30; PBT-GF20; PC	
Materials (wetted parts)	stainless steel (1.4404 / 316L); ceramics; FKM	
Min. pressure cycles	100 million	
Tightening torque	[Nm]	25...35; (recommended tightening torque; Depends on lubrication, seal and pressure rating)
Process connection	threaded connection 7/16" - 20 UNF Internal thread	
Restrictor element integrated	no (can be retrofitted)	

Displays / operating elements

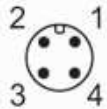
Display	Display unit	3 x LED, green (bar, psi, MPa)
	Switching status	2 x LED, yellow
	Measured values	alphanumeric display, red/green 4-digit

Remarks

Pack quantity	1 pcs.
---------------	--------

Electrical connection

Connector: 1 x M12; coding: A; Contacts: gold-plated



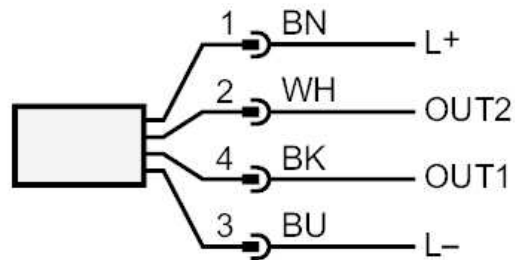
PN7392



Pressure sensor with display

PN-100-SEU76-QFRKG/US/ IV

Connection



OUT1	Switching output IO-Link
OUT2	Switching output Colors to DIN EN 60947-5-2 Core colors :
BK =	black
BN =	brown
BU =	blue
WH =	white