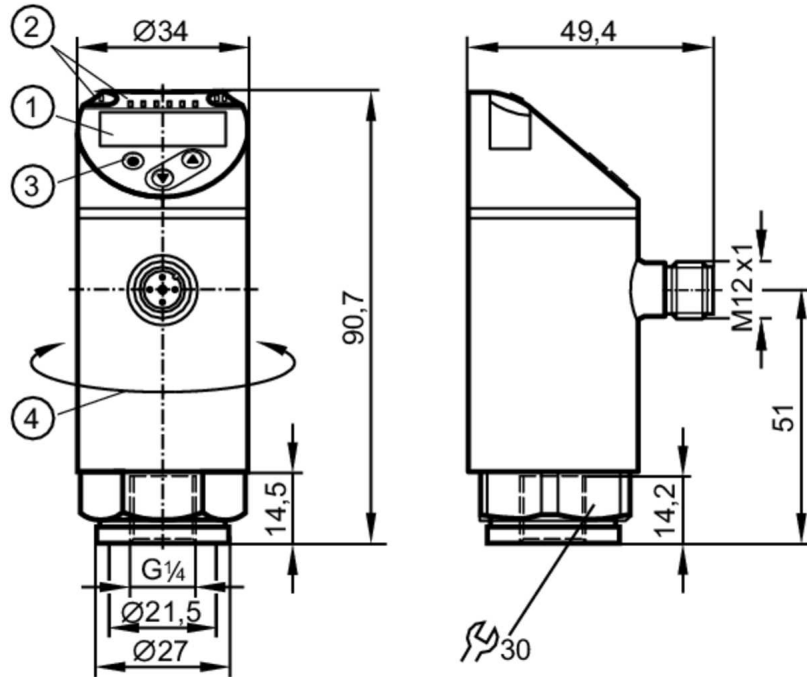


PN7015



Pressure sensor with display

PN-006-RER14-QFRKG/US/ IV



- 1 alphanumeric display 4-digit red/green
- 2 LEDs Display unit / Switching status
- 3 Programming button
- 4 upper part of the housing can be rotated 345°



Product characteristics

Number of inputs and outputs	Number of digital outputs: 2		
Measuring range	-1...6 bar	-14.5...87 psi	100...600 kPa
Process connection	threaded connection G 1/4 Internal thread		

Application

System	gold-plated contacts		
Measuring element	ceramic-capacitive pressure measuring cell		
Application	for industrial applications		
Media	liquids and gases		
Medium temperature [°C]	-25...80		
Min. bursting pressure	100 bar	1500 psi	10000 kPa
Pressure rating	40 bar	600 psi	4000 kPa
Vacuum resistance [mbar]	-1000		
Type of pressure	relative pressure; vacuum		

Electrical data

Operating voltage [V]	18...30 DC; (to SELV/PELV)		
Current consumption [mA]	< 35		
Min. insulation resistance [MΩ]	100; (500 V DC)		
Protection class	III		
Reverse polarity protection	yes		
Power-on delay time [s]	< 0.3		

PN7015



Pressure sensor with display

PN-006-RER14-QFRKG/US/ IV

Integrated watchdog	yes			
Inputs / outputs				
Number of inputs and outputs	Number of digital outputs: 2			
Outputs				
Total number of outputs	2			
Output signal	switching signal; IO-Link; (configurable)			
Electrical design	PNP/NPN			
Number of digital outputs	2			
Output function	normally open / closed; (configurable)			
Max. voltage drop switching output DC [V]	2.5			
Permanent current rating of switching output DC [mA]	150; (200 (...60 °C) 250 (...40 °C))			
Switching frequency DC [Hz]	< 170			
Short-circuit protection	yes			
Type of short-circuit protection	yes (non-latching)			
Overload protection	yes			
Measuring/setting range				
Measuring range	-1...6 bar	-14.5...87 psi	100...600 kPa	
Set point SP	-0.95...6 bar	-13.8...87 psi	-95...600 kPa	-0.09...1 MPa
Reset point rP	-0.98...5.97 bar	-14.2...86.6 psi	-98...597 kPa	-0.095...0.995 MPa
Min. difference between SP and rP	0.03 bar	0.5 psi	3 kPa	
In steps of	0.001 bar	0.1 psi	1 kPa	
Accuracy / deviations				
Switch point accuracy [% of the span]	< ± 0,5			
Repeatability [% of the span]	< ± 0,1; (with temperature fluctuations < 10 K)			
Characteristics deviation [% of the span]	< ± 0,25 (BFSL) / < ± 0,5 (LS); (BFSL = Best Fit Straight Line; LS = limit value setting)			
Hysteresis deviation [% of the span]	< ± 0,25			
Long-term stability [% of the span]	< ± 0,05; (per 6 months)			
Temperature coefficient zero point [% of the span / 10 K]	< ± 0,2; (0...80 °C)			
Temperature coefficient span [% of the span / 10 K]	< ± 0,2; (0...80 °C)			
Reaction times				
Response time [ms]	< 3			
Delay time programmable dS, dr [s]	0...50			
Damping process value dAP [s]	0...4			

PN7015



Pressure sensor with display

PN-006-RER14-QFRKG/US/ IV

Software / programming		
Parameter setting options	hysteresis / window; normally open / closed; switching logic; switch-on/switch-off delay; Damping; Display unit	
Interfaces		
Communication interface	IO-Link	
Transmission type	COM2 (38,4 kBaud)	
IO-Link revision	1.1	
SDCI standard	IEC 61131-9	
Profiles	Smart Sensor ED2: Digital Measuring Sensor (0x000A), Identification and Diagnosis (0x4000)	
SIO mode	yes	
Required master port class	A; (when pin 2 not connected: B)	
Process data analog	1	
Process data binary	2	
Min. process cycle time [ms]	3	
IO-Link resolution pressure [bar]	0.005	
IO-Link process data (cyclical)	Function	bit length
	pressure	16
	device status	4
	binary switching information	2
IO-Link functions (acyclical)	application specific tag	
Supported DeviceIDs	Type of operation	DeviceID
	default	1199
Note	For further information please see the IODD PDF file at "Downloads"	
Operating conditions		
Ambient temperature [°C]	-25...80	
Storage temperature [°C]	-40...100	
Protection	IP 65; IP 67	
Tests / approvals		
EMC	DIN EN 61000-6-2	
	DIN EN 61000-6-3	
Shock resistance	DIN EN 60068-2-27	50 g (11 ms)
Vibration resistance	DIN EN 60068-2-6	20 g (10...2000 Hz)
MTTF [years]		249
UL approval	UL approval number	J001
	File number UL	E174189
Pressure equipment directive	sound engineering practice; can be used for group 2 fluids; group 1 fluids on request	
Mechanical data		
Weight [g]	244	
Material	stainless steel (1.4404 / 316L); PBT+PC-GF30; PBT-GF20; PC	
Materials (wetted parts)	stainless steel (1.4404 / 316L); Al2O3 (ceramics); FKM	
Min. pressure cycles	100 million	
Tightening torque [Nm]	25...35; (recommended tightening torque; Depends on lubrication, seal and pressure rating)	
Process connection	threaded connection G 1/4 Internal thread	

PN7015



Pressure sensor with display

PN-006-RER14-QFRKG/US/ IV

Restrictor element integrated | no (can be retrofitted)

Displays / operating elements

Display	Display unit	3 x LED, green (bar, psi, MPa)
	Switching status	2 x LED, yellow
	Measured values	alphanumeric display, red/green 4-digit

Remarks

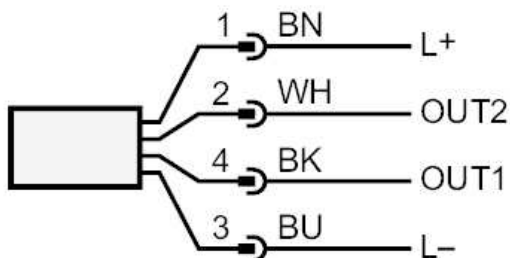
Pack quantity | 1 pcs.

Electrical connection

Connector: 1 x M12; coding: A; Contacts: gold-plated



Connection



OUT1	Switching output IO-Link
OUT2	Switching output Colors to DIN EN 60947-5-2 Core colors :
BK =	black
BN =	brown
BU =	blue
WH =	white