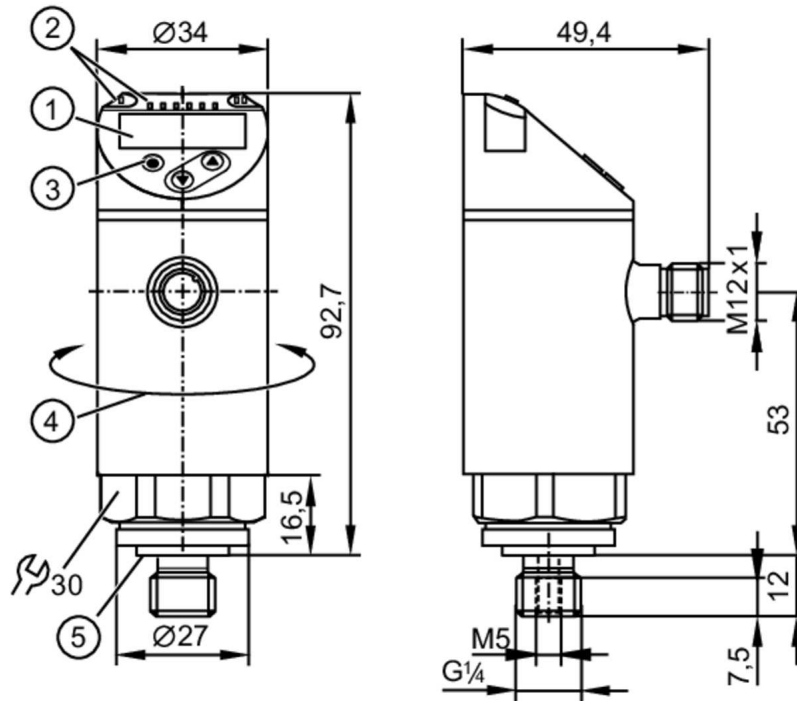


PN2560



Pressure sensor with display

PN-600-SEG14-MFRKG/US/ IV



- 1 alphanumeric display 4-digit red/green
- 2 LEDs Display unit / Switching status
- 3 Programming button
- 4 upper part of the housing can be rotated 345°
- 5 sealing



Product characteristics

Number of inputs and outputs	Number of digital outputs: 2; Number of analog outputs: 1		
Measuring range	0...600 bar	0...8700 psi	0...60 MPa
Process connection	threaded connection G 1/4 external thread (DIN EN ISO 1179-2); Internal thread:M5		

Application

System	gold-plated contacts		
Measuring element	metallic thin film cell		
Application	for industrial applications		
Media	liquids and gases		
Medium temperature [°C]	-25...80		
Min. bursting pressure	2500 bar	36250 psi	250 MPa
Pressure rating	800 bar	11580 psi	80 MPa
Vacuum resistance [mbar]	-1000		
Type of pressure	relative pressure		

Electrical data

Operating voltage [V]	18...30 DC; (to SELV/PELV)		
Current consumption [mA]	< 35		
Min. insulation resistance [MΩ]	100; (500 V DC)		
Protection class	III		
Reverse polarity protection	yes		

PN2560



Pressure sensor with display

PN-600-SEG14-MFRKG/US/ IV

Power-on delay time [s]	0.3
Integrated watchdog	yes

Inputs / outputs

Number of inputs and outputs	Number of digital outputs: 2; Number of analog outputs: 1
------------------------------	---

Outputs

Total number of outputs	2
Output signal	switching signal; analog signal; IO-Link; (configurable)
Electrical design	PNP/NPN
Number of digital outputs	2
Output function	normally open / closed; (configurable)
Max. voltage drop switching output DC [V]	2
Permanent current rating of switching output DC [mA]	250
Switching frequency DC [Hz]	< 500
Number of analog outputs	1
Analog current output [mA]	4...20; (scalable 1:5)
Max. load [Ω]	500
Analog voltage output [V]	0...10; (scalable 1:5)
Min. load resistance [Ω]	2000
Short-circuit protection	yes
Type of short-circuit protection	yes (non-latching)
Overload protection	yes

Measuring/setting range

Measuring range	0...600 bar	0...8700 psi	0...60 MPa
Analog start point	0...480 bar	0...6960 psi	0...48 MPa
Analog end point	120...600 bar	1740...8700 psi	12...60 MPa

Factory setting / CMPT = 2

Set point SP	4...600 bar	60...8700 psi	0.4...60 MPa
Reset point rP	1...597 bar	20...8660 psi	0.1...59.7 MPa
Min. difference between SP and rP	3 bar	40 psi	0.3 MPa
In steps of	1 bar	20 psi	0.1 MPa

Status_B High Resolution / CMPT = 3

Set point SP	4...600 bar	55...8702 psi	0...60 MPa
Reset point rP	1...597 bar	19...8666 psi	0...60 MPa
Min. difference between SP and rP	3 bar	37 psi	1 MPa
In steps of	1 bar	1 psi	1 MPa

Accuracy / deviations

Switch point accuracy [% of the span]	< ± 0,4; (Turn down 1:1)
Repeatability [% of the span]	< ± 0,1; (with temperature fluctuations < 10 K; Turn down 1:1)
Characteristics deviation [% of the span]	< ± 0,25 (BFSL) / < ± 0,5 (LS); (Turn down 1:1; BFSL = Best Fit Straight Line; LS = limit value setting)

PN2560



Pressure sensor with display

PN-600-SEG14-MFRKG/US/ IV

Hysteresis deviation [% of the span]	< ± 0,1; (Turn down 1:1)
Long-term stability [% of the span]	< ± 0,05; (Turn down 1:1; per 6 months)
Temperature coefficient zero point [% of the span / 10 K]	0,2; (-25...80 °C)
Temperature coefficient span [% of the span / 10 K]	0,2; (-25...80 °C)
Notes on the accuracy / deviation	switch point accuracy, linearity error under DNV GL: < ± 1%: < ± 1%

Reaction times

Response time [ms]	< 1.5
Delay time programmable dS, dr [s]	0...50
Damping process value dAP [s]	0...4
Damping for the analog output dAA [s]	0...4
Max. response time analog output [ms]	3

Software / programming

Parameter setting options	hysteresis / window; normally open / closed; switch-on/ switch-off delay; Damping; Display unit; current/voltage output
---------------------------	---

Interfaces

Communication interface	IO-Link						
Transmission type	COM2 (38,4 kBaud)						
IO-Link revision	1.1						
SDCI standard	IEC 61131-9						
SIO mode	yes						
Required master port class	A; (when pin 2 not connected: B)						
Supported DeviceIDs	<table border="1"> <thead> <tr> <th>Type of operation</th> <th>DeviceID</th> </tr> </thead> <tbody> <tr> <td>Factory setting / CMPT = 2</td> <td>458</td> </tr> <tr> <td>Status_B High Resolution / CMPT = 3</td> <td>637</td> </tr> </tbody> </table>	Type of operation	DeviceID	Factory setting / CMPT = 2	458	Status_B High Resolution / CMPT = 3	637
Type of operation	DeviceID						
Factory setting / CMPT = 2	458						
Status_B High Resolution / CMPT = 3	637						
Note	For further information please see the IODD PDF file at "Downloads"						

Factory setting / CMPT = 2

Profiles	Smart Sensor: Process Data Variable; Device Identification, Device Diagnosis						
Min. process cycle time [ms]	2.3						
IO-Link resolution pressure [bar]	0.1						
IO-Link process data (cyclical)	<table border="1"> <thead> <tr> <th>Function</th> <th>bit length</th> </tr> </thead> <tbody> <tr> <td>pressure</td> <td>14</td> </tr> <tr> <td>binary switching information</td> <td>2</td> </tr> </tbody> </table>	Function	bit length	pressure	14	binary switching information	2
Function	bit length						
pressure	14						
binary switching information	2						
IO-Link functions (acyclical)	application specific tag						

Status_B High Resolution / CMPT = 3

Profiles	Smart Sensor ED2: Digital Measuring Sensor (0x000A), Identification and Diagnosis (0x4000)
Min. process cycle time [ms]	3
IO-Link resolution pressure [bar]	0.2

PN2560



Pressure sensor with display

PN-600-SEG14-MFRKG/US/ IV

IO-Link process data (cyclical)	Function	bit length
	pressure	16
	device status	4
	binary switching information	2
IO-Link functions (acyclical)	application specific tag	

Operating conditions

Ambient temperature	[°C]	-25...80
Storage temperature	[°C]	-40...100
Protection		IP 65; IP 67

Tests / approvals

EMC	DIN EN 61000-6-2	
	DIN EN 61000-6-3	
Shock resistance	DIN EN 60068-2-27	50 g (11 ms)
Vibration resistance	DIN EN 60068-2-6	20 g (10...2000 Hz)
MTTF	[years]	129
UL approval	UL approval number	J014
Pressure equipment directive	sound engineering practice; can be used for group 2 fluids; group 1 fluids on request	

Mechanical data

Weight	[g]	261.5
Material	1.4542 (17-4 PH / 630); stainless steel (1.4404 / 316L); PBT+PC-GF30; PBT-GF20; PC	
Materials (wetted parts)	1.4542 (17-4 PH / 630)	
Min. pressure cycles	100 million	
Tightening torque	[Nm]	30...50; (recommended tightening torque; Depends on lubrication, seal and pressure rating)
Process connection	threaded connection G 1/4 external thread (DIN EN ISO 1179-2); Internal thread:M5	
Process connection sealing	FKM (DIN EN ISO 1179-2)	
Restrictor element integrated	no (can be retrofitted)	

Displays / operating elements

Display	Display unit	3 x LED, green (bar, psi, MPa)
	Switching status	2 x LED, yellow
	Measured values	alphanumeric display, red/green 4-digit

Remarks

Pack quantity	1 pcs.
---------------	--------

Electrical connection

Connector: 1 x M12; coding: A; Contacts: gold-plated



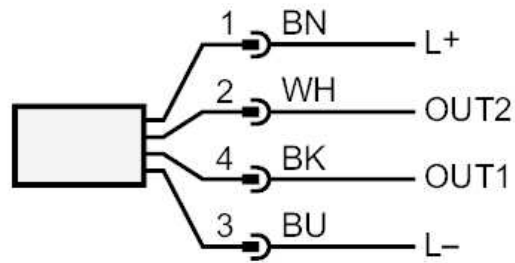
PN2560



Pressure sensor with display

PN-600-SEG14-MFRKG/US/ IV

Connection



OUT1	Switching output
	IO-Link
OUT2	Switching output
	analog output
	Core colors :
BK =	black
BN =	brown
BU =	blue
WH =	white