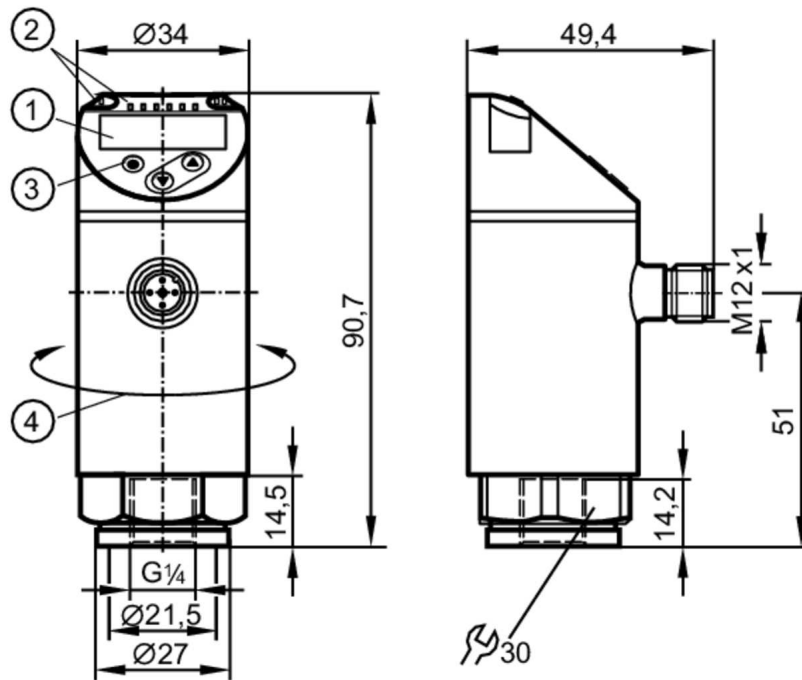


PN2097



Pressure sensor with display

PN-001BRER14-MFRKG/US/V



- 1 alphanumeric display 4-digit red/green
- 2 LEDs Display unit / Switching status
- 3 Programming button
- 4 upper part of the housing can be rotated 345°



Product characteristics

Number of inputs and outputs	Number of digital outputs: 2; Number of analog outputs: 1				
Measuring range	-0.05...1 bar	-50...1000 mbar	-0.72...14.5 psi	-20.1...401.5 inH2O	-5...100 kPa
Process connection	threaded connection G 1/4 Internal thread				

Application

System	gold-plated contacts				
Measuring element	ceramic-capacitive pressure measuring cell				
Application	for industrial applications				
Media	liquids and gases				
Medium temperature [°C]	-25...80				
Min. bursting pressure	30000 mbar	450 psi	3000 kPa		
Pressure rating	10000 mbar	145 psi	1000 kPa		
Vacuum resistance [mbar]	-1000				
Type of pressure	relative pressure; vacuum				

Electrical data

Operating voltage [V]	18...30 DC; (to SELV/PELV)				
Current consumption [mA]	< 35				
Min. insulation resistance [MΩ]	100; (500 V DC)				
Protection class	III				
Reverse polarity protection	yes				

PN2097



Pressure sensor with display

PN-001BRER14-MFRKG/US/V

Power-on delay time	[s]	0.3
Integrated watchdog		yes

Inputs / outputs

Number of inputs and outputs	Number of digital outputs: 2; Number of analog outputs: 1
------------------------------	---

Outputs

Total number of outputs	2
Output signal	switching signal; analog signal; IO-Link; (configurable)
Electrical design	PNP/NPN
Number of digital outputs	2
Output function	normally open / closed; (configurable)
Max. voltage drop switching output DC	[V] 2
Permanent current rating of switching output DC	[mA] 250
Switching frequency DC	[Hz] < 500
Number of analog outputs	1
Analog current output	[mA] 4...20; (scalable 1:5)
Max. load	[Ω] 500
Analog voltage output	[V] 0...10; (scalable 1:5)
Min. load resistance	[Ω] 2000
Short-circuit protection	yes
Type of short-circuit protection	yes (non-latching)
Overload protection	yes

Measuring/setting range

Measuring range	-0.05...1 bar	-50...1000 mbar	-0.72...14.5 psi	-20.1...401.5 inH2O	-5...100 kPa
Analog start point	-50...800 mbar	-0.72...11.6 psi	-20...321 inH2O	-5...80 kPa	
Analog end point	150...1000 mbar	2.18...14.5 psi	60.5...401.5 inH2O	15...100 kPa	

Factory setting / CMPT = 2

Set point SP	-44...1000 mbar	-0.64...14.5 psi	-17.5...401.5 inH2O	-4.4...100 kPa
Reset point rP	-48...996 mbar	-0.7...14.44 psi	-19...400 inH2O	-4.8...99.6 kPa
Min. difference between SP and rP	6 mbar	0.06 psi	2 inH2O	0.6 kPa
In steps of	2 mbar	0.02 psi	0.5 inH2O	0.2 kPa

Status_B High Resolution / CMPT = 3

Set point SP	-44...1000 mbar	-0.63...14.5 psi	-17.5...401.5 inH2O	-4.4...100 kPa
Reset point rP	-48...996 mbar	-0.69...14.44 psi	-19.2...399.8 inH2O	-4.8...99.6 kPa
Min. difference between SP and rP	5 mbar	0.06 psi	1.7 inH2O	0.5 kPa
In steps of	1 mbar	0.01 psi	0.1 inH2O	0.1 kPa

Accuracy / deviations

Switch point accuracy	[% of the span]	< ± 0,4; (Turn down 1:1)
Repeatability	[% of the span]	< ± 0,1; (with temperature fluctuations < 10 K; Turn down 1:1)
Characteristics deviation	[% of the span]	< ± 0,25 (BFSL) / < ± 0,5 (LS); (Turn down 1:1; BFSL = Best Fit Straight Line; LS = limit value setting)

PN2097



Pressure sensor with display

PN-001BRER14-MFRKG/US/V

Hysteresis deviation [% of the span]	< ± 0,1; (Turn down 1:1)
Long-term stability [% of the span]	< ± 0,05; (Turn down 1:1; per 6 months)
Temperature coefficient zero point [% of the span / 10 K]	< ± 0,2; (-0...80 °C)
Temperature coefficient span [% of the span / 10 K]	< ± 0,2; (-0...80 °C)
Notes on the accuracy / deviation	switch point accuracy, linearity error under DNV GL: < ± 1%: < ± 1%

Reaction times

Response time [ms]	< 1.5
Delay time programmable dS, dr [s]	0...50
Damping process value dAP [s]	0...4
Damping for the analog output dAA [s]	0...4
Max. response time analog output [ms]	3

Software / programming

Parameter setting options	hysteresis / window; normally open / closed; switch-on/ switch-off delay; Damping; Display unit; current/voltage output
---------------------------	---

Interfaces

Communication interface	IO-Link
Transmission type	COM2 (38,4 kBaud)
IO-Link revision	1.1
SDCI standard	IEC 61131-9
SIO mode	yes
Required master port class	A; (when pin 2 not connected: B)

Supported DeviceIDs	Type of operation	DeviceID
	Factory setting / CMPT = 2	465
	Status_B High Resolution / CMPT = 3	976

Note	For further information please see the IODD PDF file at "Downloads"
------	---

Factory setting / CMPT = 2

Profiles	Smart Sensor: Process Data Variable; Device Identification, Device Diagnosis	
Min. process cycle time [ms]	2.3	
IO-Link resolution pressure [mbar]	1	
IO-Link process data (cyclical)	Function	bit length
	pressure	14
	binary switching information	2
IO-Link functions (acyclical)	application specific tag	

Status_B High Resolution / CMPT = 3

Profiles	Smart Sensor ED2: Digital Measuring Sensor (0x000A), Identification and Diagnosis (0x4000)	
Min. process cycle time [ms]	3	
IO-Link resolution pressure [mbar]	0.5	

PN2097



Pressure sensor with display

PN-001BRER14-MFRKG/US/V

IO-Link process data (cyclical)	Function	bit length
	pressure	16
	device status	4
	binary switching information	2
IO-Link functions (acyclical)	application specific tag	

Operating conditions

Ambient temperature	[°C]	-25...80
Storage temperature	[°C]	-40...100
Protection		IP 65; IP 67

Tests / approvals

EMC	DIN EN 61000-6-2	
	DIN EN 61000-6-3	
Shock resistance	DIN EN 60068-2-27	50 g (11 ms)
Vibration resistance	DIN EN 60068-2-6	20 g (10...2000 Hz)
MTTF	[years]	138
UL approval	UL approval number	J012
Pressure equipment directive	sound engineering practice; can be used for group 2 fluids; group 1 fluids on request	

Mechanical data

Weight	[g]	239
Material	stainless steel (1.4404 / 316L); PBT+PC-GF30; PBT-GF20; PC	
Materials (wetted parts)	stainless steel (1.4404 / 316L); Al2O3 (ceramics); FKM	
Min. pressure cycles	100 million	
Tightening torque	[Nm]	25...35; (recommended tightening torque; Depends on lubrication, seal and pressure rating)
Process connection	threaded connection G 1/4 Internal thread	
Restrictor element integrated	no (can be retrofitted)	

Displays / operating elements

Display	Display unit	4 x LED, green (mbar, kPa, psi, inH2O)
	Switching status	2 x LED, yellow
	Measured values	alphanumeric display, red/green 4-digit

Remarks

Pack quantity	1 pcs.
---------------	--------

Electrical connection

Connector: 1 x M12; coding: A; Contacts: gold-plated



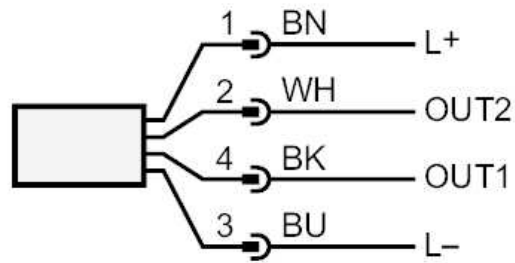
PN2097



Pressure sensor with display

PN-001BRER14-MFRKG/US/V

Connection



OUT1	Switching output
	IO-Link
OUT2	Switching output
	analog output
	Core colors :
BK =	black
BN =	brown
BU =	blue
WH =	white