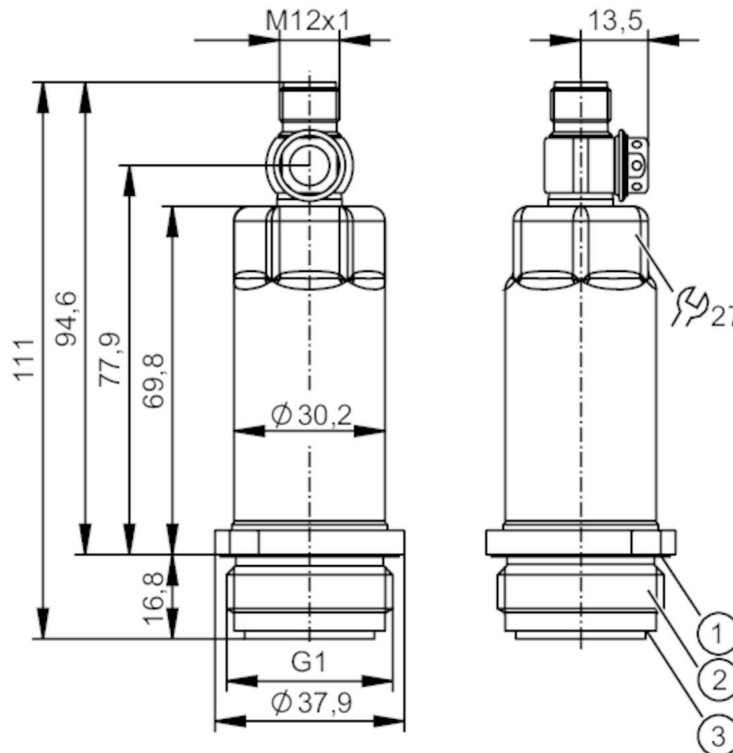


PM1703



Flush pressure sensor

PM-025-REA01-E-ZVG/US



- 1 groove with sealing ring (DIN EN ISO 1179-2)
- 2 external thread G1 (Aseptoflex Vario)
- 3 groove for sealing ring



Product characteristics			
Number of inputs and outputs	Number of digital outputs: 1; Number of analog outputs: 1		
Measuring range	-1...25 bar	-14.6...362.6 psi	-0.1...2.5 MPa
Process connection	threaded connection G 1 external thread Aseptoflex Vario		
Application			
System	gold-plated contacts		
Measuring element	ceramic-capacitive pressure measuring cell		
Temperature monitoring	no		
Application	flush mountable for the food and beverage industry		
Media	viscous media and liquids with suspended particles; liquids and gases		
Medium temperature [°C]	-25...150		
Min. bursting pressure	350 bar	5075 psi	35 MPa
Pressure rating	100 bar	1450 psi	10 MPa
Vacuum resistance [mbar]	-1000		
Type of pressure	relative pressure; vacuum		
No dead space	yes		
MAWP (for applications according to CRN) [bar]	60		
Electrical data			
Operating voltage [V]	18...30 DC		

PM1703



Flush pressure sensor

PM-025-REA01-E-ZVG/US

Min. insulation resistance	[MΩ]	100; (500 V DC)
Protection class		III
Reverse polarity protection		yes
Integrated watchdog		yes

2-wire		
Current consumption	[mA]	3.5...21.5
Power-on delay time	[s]	1

3-wire		
Current consumption	[mA]	< 45
Power-on delay time	[s]	0.5

Inputs / outputs	
Number of inputs and outputs	Number of digital outputs: 1; Number of analog outputs: 1

Outputs	
Total number of outputs	2
Output signal	analog signal; IO-Link; (configurable)
Number of digital outputs	1; (IO-Link)
Number of analog outputs	1
Analog current output	[mA] 4...20; (scalable)
Max. load	[Ω] 700; (U _b = 24 V; (U _b - 9 V) / 21.5 mA)
Short-circuit proof	yes
Overload protection	yes

Measuring/setting range			
Measuring range	-1...25 bar	-14.6...362.6 psi	-0.1...2.5 MPa
Analog start point	-1...20 bar	-14.6...290 psi	-0.1...2 MPa
Analog end point	4...25 bar	58...362.6 psi	0.4...2.5 MPa
In steps of	0.01 bar	0.2 psi	0.001 MPa
Factory setting	ASP = 0.0 bar	AEP = 25.0 bar	

Accuracy / deviations		
Repeatability	[% of the span] < ± 0,1; (with temperature fluctuations < 10 K; Turn down 1:1)	
Characteristics deviation	[% of the span] < ± 0,2; (linearity incl. hysteresis and repeatability, limit value setting to DIN EN IEC 62828-1)	
Linearity deviation	[% of the span] < ± 0,15; (Turn down 1:1)	
Hysteresis deviation	[% of the span] < ± 0,15; (Turn down 1:1)	
Long-term stability	[% of the span] < ± 0,1; (Turn down 1:1; per year)	
Total deviation over temperature range	Temperature range	total deviation
	-25...15 °C	Characteristics deviation ± 0,05 % of the span / 10 K
	15...80 °C	Characteristics deviation
	80...150 °C	Characteristics deviation ± 0,1 % of the span / 10 K
Notes on the accuracy / deviation	for further details see section Diagrams and graphs	

PM1703



Flush pressure sensor

PM-025-REA01-E-ZVG/US

Reaction times		
Damping for the analog output dAA	[s]	0...4
2-wire		
Step response time analog output	[ms]	30
3-wire		
Step response time analog output	[ms]	7
Interfaces		
Communication interface	IO-Link	
Transmission type	COM2 (38,4 kBaud)	
IO-Link revision	1.1	
SDCI standard	IEC 61131-9	
Profiles	Digital Measuring Sensor (0x000A), Identification and Diagnosis (0x4000)	
SIO mode	no	
Required master port class	A	
Process data analog	3	
Min. process cycle time	[ms]	3.2
IO-Link resolution pressure	[bar]	0.005
IO-Link process data (cyclical)	Function	bit length
	pressure	16
	device status	4
IO-Link functions (acyclical)	application specific tag; internal temperature	
Supported DeviceIDs	Type of operation	DeviceID
	default	660
Operating conditions		
Ambient temperature	[°C]	-25...80
Storage temperature	[°C]	-40...100
Protection	IP 67; IP 68; IP 69K	
Tests / approvals		
EMC	DIN EN 61000-6-2	
	DIN EN 61000-6-3	
Shock resistance	DIN EN 60068-2-27	50 g (11 ms)
Vibration resistance	DIN EN 60068-2-6	20 g (10...2000 Hz)
MTTF	[years]	323
Note on approval	Factory certificate available as download at www.factory-certificate.ifm	
UL approval	UL approval number	J021
Mechanical data		
Weight	[g]	307.6
Material	stainless steel (1.4404 / 316L); PBT	
Materials (wetted parts)	ceramics (99.9 % Al ₂ O ₃); stainless steel (1.4435 / 316L); surface characteristics: Ra < 0,4 / Rz 4; PTFE	
Min. pressure cycles	100 million	
Tightening torque	[Nm]	35
Process connection	threaded connection G 1 external thread Aseptoflex Vario	

PM1703



Flush pressure sensor

PM-025-REA01-E-ZVG/US

Remarks

Pack quantity

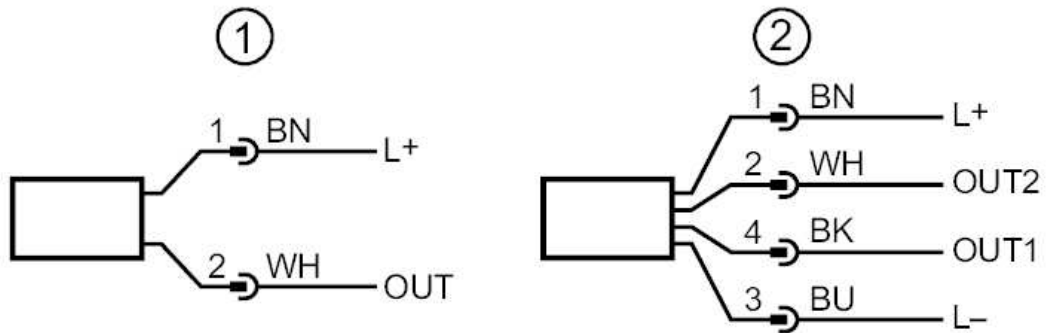
1 pcs.

Electrical connection

Connector: 1 x M12; coding: A; Contacts: gold-plated



Connection



- 1 connection for 2-wire operation (analog)
- 2 connection for 3-wire operation (analog / IO-Link)
OUT1 : IO-Link
OUT2 : analog output

PM1703

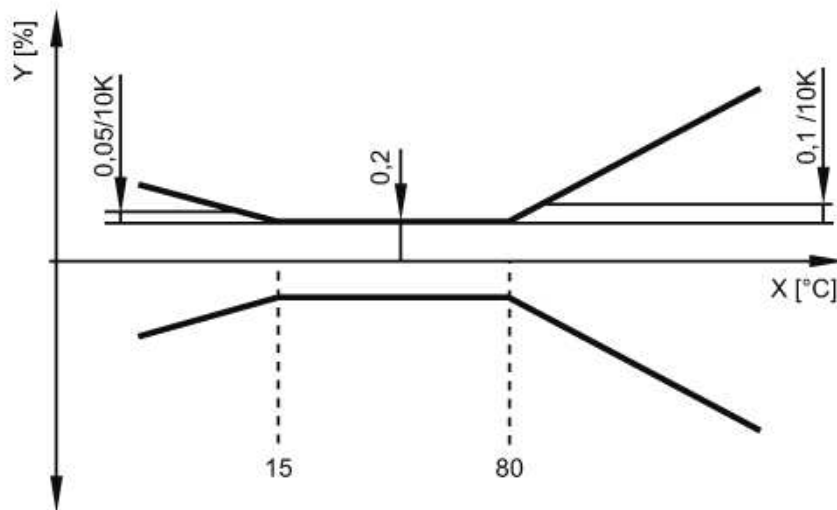


Flush pressure sensor

PM-025-REA01-E-ZVG/US

Diagrams and graphs

ambient temperature influence on the accuracy



X temperature
Y total deviation