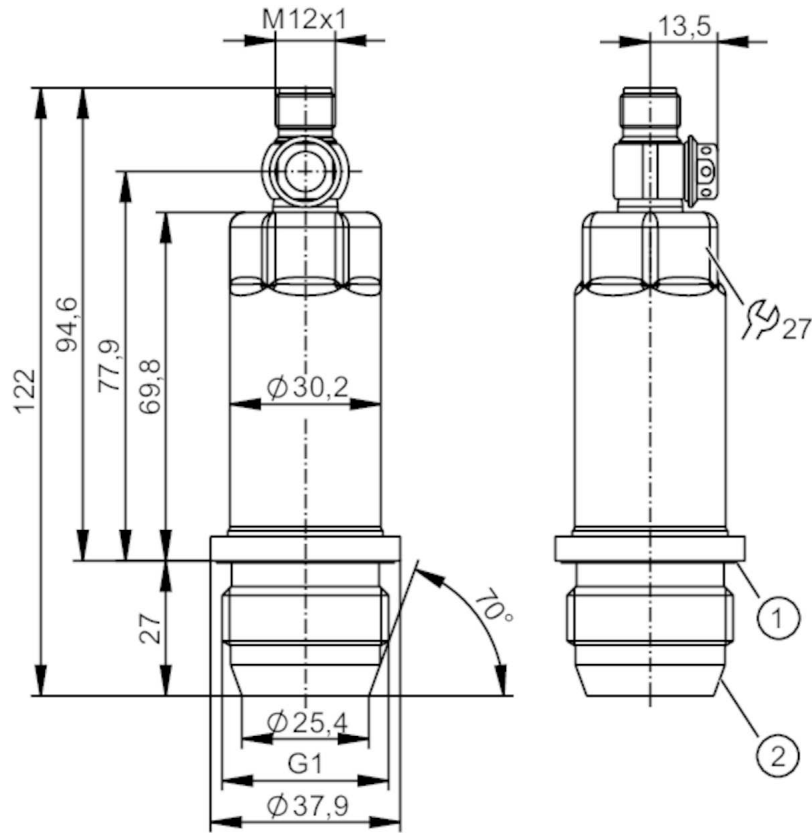


PM1618



Flush pressure transmitter

PM-,40BREA01-E-ZVG/US



- 1 groove with sealing ring (DIN EN ISO 1179-2)
- 2 G1 sealing cone external thread



Product characteristics

Number of inputs and outputs	Number of digital outputs: 1; Number of analog outputs: 1			
Measuring range	-0.05...0.4 bar	-50...400 mbar	-0.725...5.8 psi	-5...40 kPa
Process connection	threaded connection G 1 external thread sealing cone			

Application

System	gold-plated contacts		
Measuring element	ceramic-capacitive pressure measuring cell		
Temperature monitoring	no		
Application	flush mountable for the food and beverage industry		
Media	viscous media and liquids with suspended particles; liquids and gases		
Medium temperature [°C]	-25...150		
Min. bursting pressure	30000 mbar	435 psi	3000 kPa
Pressure rating	8000 mbar	116 psi	800 kPa
Vacuum resistance [mbar]	-1000		
Type of pressure	relative pressure		
No dead space	yes		

Electrical data

Operating voltage [V]	18...30 DC
-----------------------	------------

PM1618



Flush pressure transmitter

PM-,40BREA01-E-ZVG/US

Min. insulation resistance [MΩ]	100; (500 V DC)
Protection class	III
Reverse polarity protection	yes
Measuring principle	hydrostatic
Integrated watchdog	yes

2-wire	
Current consumption [mA]	3.5...21.5
Power-on delay time [s]	1

3-wire	
Current consumption [mA]	< 45
Power-on delay time [s]	0.5

Inputs / outputs

Number of inputs and outputs	Number of digital outputs: 1; Number of analog outputs: 1
------------------------------	---

Outputs

Total number of outputs	2
Output signal	analog signal; IO-Link; (configurable)
Number of digital outputs	1; (IO-Link)
Number of analog outputs	1
Analog current output [mA]	4...20; (scalable)
Max. load [Ω]	700; (U _b = 24 V; (U _b - 9 V) / 21.5 mA)
Short-circuit proof	yes
Overload protection	yes

Measuring/setting range

Measuring range	-0.05...0.4 bar	-50...400 mbar	-0.725...5.8 psi	-5...40 kPa
Analog start point	-50...320 mbar	-0.725...4.641 psi	-5...32 kPa	
Analog end point	30...400 mbar	0.435...5.802 psi	3...40 kPa	
In steps of	0.1 mbar	0.001 psi	0.01 kPa	
Factory setting	ASP = 0.0 bar	AEP = 400 mbar		

Accuracy / deviations

Repeatability [% of the span]	< ± 0,1; (with temperature fluctuations < 10 K; Turn down 1:1)		
Characteristics deviation [% of the span]	< ± 0,2 (DIN EN 61298-2); (incl. zero point and span error, non-linearity, hysteresis; Turn down 1:1)		
Linearity deviation [% of the span]	< ± 0,15; (Turn down 1:1)		
Hysteresis deviation [% of the span]	< ± 0,15; (Turn down 1:1)		
Long-term stability [% of the span]	< ± 0,1; (Turn down 1:1; per year)		
Total deviation over temperature range	Temperature range	total deviation	
	-25...15 °C	Characteristics deviation ± 0,1 % of the span / 10 K	
	15...80 °C	Characteristics deviation	
	80...150 °C	Characteristics deviation ± 0,15 % of the span / 10 K	

Notes on the accuracy / deviation	for further details see section Diagrams and graphs
-----------------------------------	---

PM1618



Flush pressure transmitter

PM-,40BREA01-E-ZVG/US

Reaction times		
Damping for the analog output dAA	[s]	0...4
2-wire		
Step response time analog output	[ms]	30
3-wire		
Step response time analog output	[ms]	7
Interfaces		
Communication interface	IO-Link	
Transmission type	COM2 (38,4 kBaud)	
IO-Link revision	1.1	
SDCI standard	IEC 61131-9	
Profiles	Digital Measuring Sensor (0x000A), Identification and Diagnosis (0x4000)	
SIO mode	no	
Required master port class	A	
Process data analog	3	
Min. process cycle time	[ms]	3.2
IO-Link resolution pressure	[mbar]	0.1
IO-Link process data (cyclical)	Function	bit length
	pressure	16
	device status	4
IO-Link functions (acyclical)	application specific tag; internal temperature	
Supported DeviceIDs	Type of operation	DeviceID
	default	1410
Operating conditions		
Ambient temperature	[°C]	-25...80
Storage temperature	[°C]	-40...100
Protection	IP 67; IP 68; IP 69K	
Tests / approvals		
EMC	DIN EN 61000-6-2	
	DIN EN 61000-6-3	
Shock resistance	DIN EN 60068-2-27	50 g (11 ms)
Vibration resistance	DIN EN 60068-2-6	20 g (10...2000 Hz)
MTTF	[years]	364
Mechanical data		
Weight	[g]	336.8
Material	stainless steel (1.4404 / 316L); PBT	
Materials (wetted parts)	ceramics (99.9 % Al ₂ O ₃); stainless steel (1.4435 / 316L); surface characteristics: Ra < 0,4 / Rz 4; PTFE	
Min. pressure cycles	100 million	
Tightening torque	[Nm]	20
Process connection	threaded connection G 1 external thread sealing cone	

PM1618



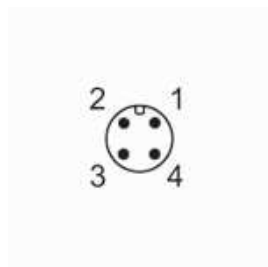
Flush pressure transmitter

PM-,40BREA01-E-ZVG/US

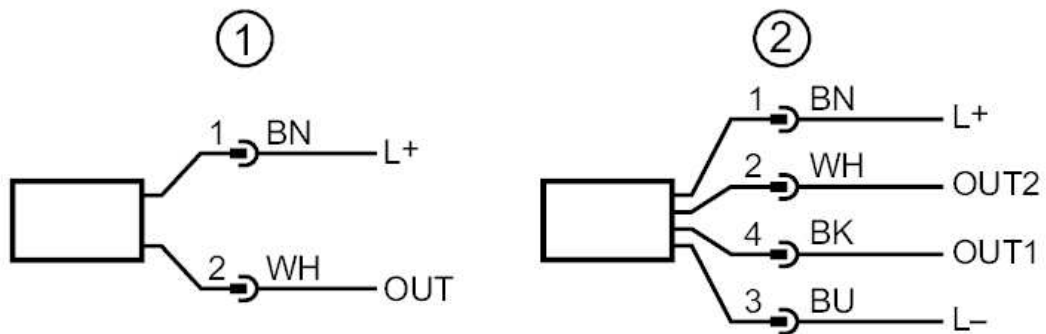
Displays / operating elements	
Display unit	mbar; psi; kPa; mmWS; inH2O
Remarks	
Pack quantity	1 pcs.

Electrical connection

Connector: 1 x M12; coding: A; Contacts: gold-plated



Connection



- 1 connection for 2-wire operation (analog)
- 2 connection for 3-wire operation (analog / IO-Link)
OUT1 : IO-Link
OUT2 : analog output

PM1618

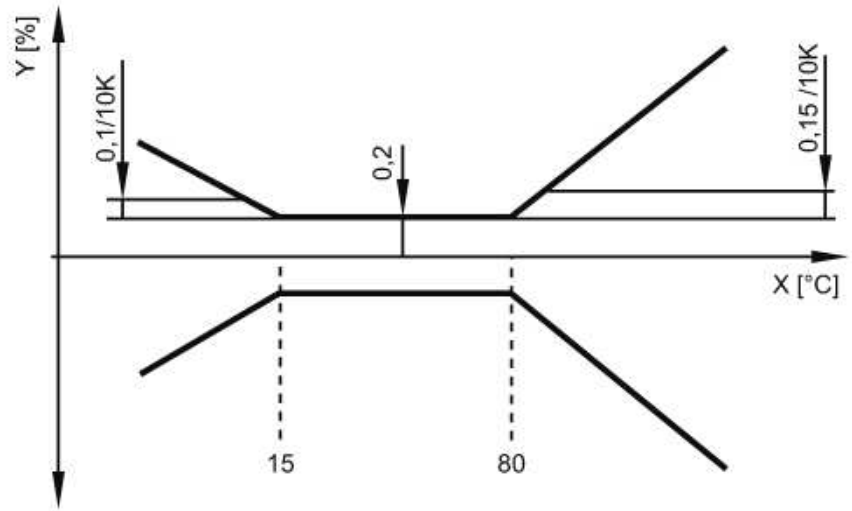


Flush pressure transmitter

PM-,40BREA01-E-ZVG/US

Diagrams and graphs

ambient temperature influence on the accuracy



X temperature
Y total deviation