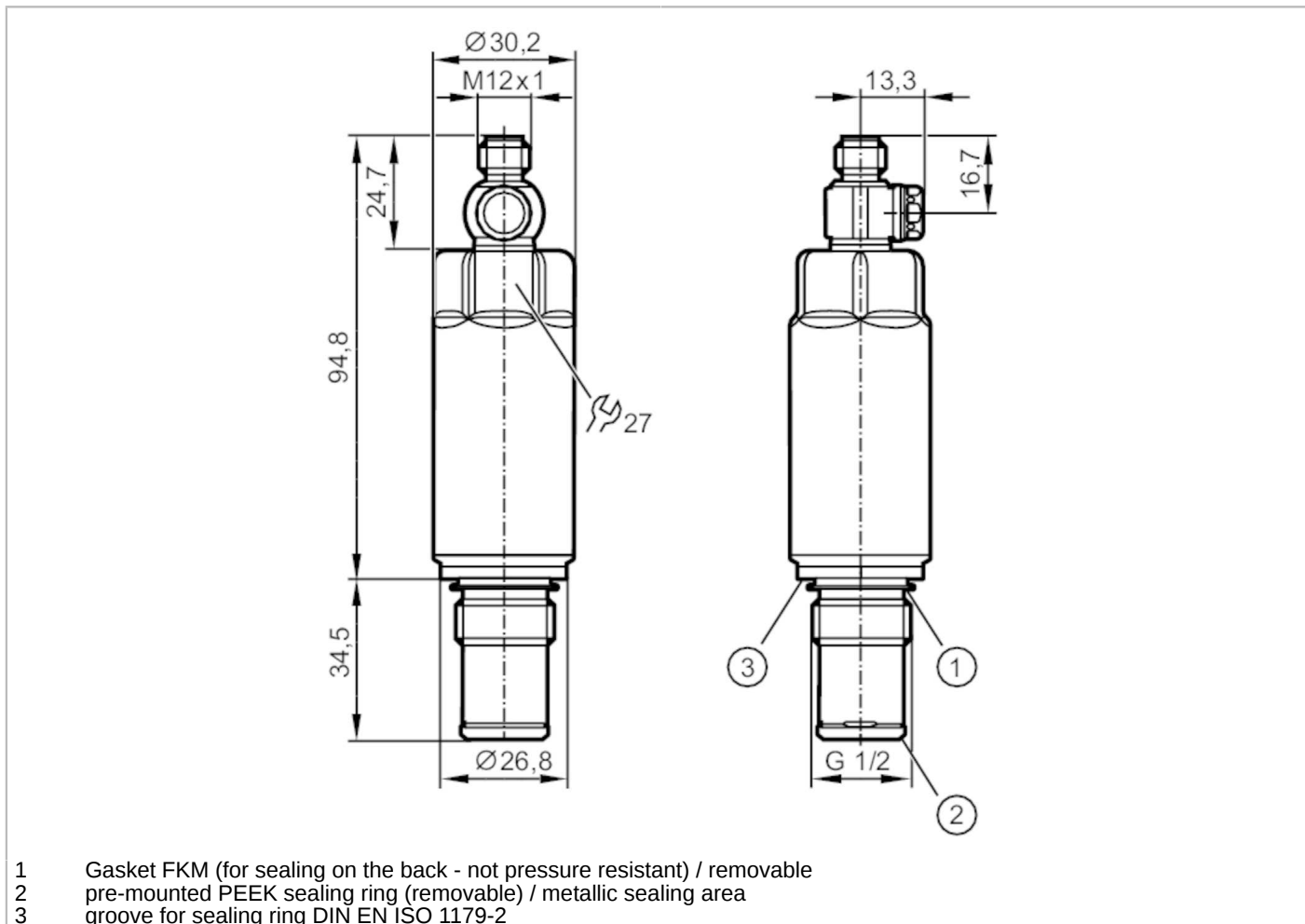


PM1505



Flush pressure sensor

PM-004-REA12-A-ZVG/US



Product characteristics

Number of inputs and outputs	Number of digital outputs: 1; Number of analog outputs: 1		
Measuring range	-1...4 bar	-14.5...58 psi	-100...400 kPa
Process connection	threaded connection G 1/2 external thread sealing cone		

Application

System	gold-plated contacts		
Measuring element	ceramic-capacitive pressure measuring cell		
Temperature monitoring	yes		
Application	flush mountable for the food and beverage industry		
Media	viscous media and liquids with suspended particles; liquids and gases		
Conditionally suitable for	use in gases at pressures > 25 bar only on request		
Medium temperature [°C]	-25...150		
Min. bursting pressure	80 bar	1200 psi	8000 kPa
Pressure rating	40 bar	580 psi	4000 kPa
Vacuum resistance [mbar]	-1000		
Type of pressure	relative pressure; vacuum		
No dead space	yes		

PM1505



Flush pressure sensor

PM-004-REA12-A-ZVG/US

MAWP (for applications according to CRN)	[bar]	40
--	-------	----

Electrical data

Operating voltage	[V]	18...30 DC
Min. insulation resistance	[MΩ]	100; (500 V DC)
Protection class		III
Reverse polarity protection		yes
Integrated watchdog		yes

2-wire

Current consumption	[mA]	3.5...21.5
Power-on delay time	[s]	< 1

3-wire

Current consumption	[mA]	< 45
Power-on delay time	[s]	< 0.5

Inputs / outputs

Number of inputs and outputs	Number of digital outputs: 1; Number of analog outputs: 1
------------------------------	---

Outputs

Total number of outputs	2
Output signal	analog signal; IO-Link; (configurable)
Number of digital outputs	1; (IO-Link)
Number of analog outputs	1
Analog current output	[mA] 4...20; (scalable; 1:5)
Max. load	[Ω] 700; (U _b = 24 V; (U _b - 9 V) / 21.5 mA)
Short-circuit proof	yes
Overload protection	yes

Measuring/setting range

Measuring range	-1...4 bar	-14.5...58 psi	-100...400 kPa
Analog start point	-1...3.2 bar	-14.5...46.4 psi	-100...320 kPa
Analog end point	0.2...4 bar	-2.9...58 psi	-20...400 kPa
In steps of	0.002 bar	0.05 psi	0.2 kPa
Factory setting	ASP = 0.0 bar	AEP = 4.0 bar	

Temperature monitoring

Measuring range	-25...150 °C	-13...302 °F
-----------------	--------------	--------------

Accuracy / deviations

Repeatability	[% of the span]	< ± 0,1; (with temperature fluctuations < 10 K; Turn down 1:1)
Characteristics deviation	[% of the span]	< ± 0,5; (linearity incl. hysteresis and repeatability, limit value setting to DIN EN IEC 62828-1)
Linearity deviation	[% of the span]	< ± 0,15; (Turn down 1:1)
Hysteresis deviation	[% of the span]	< ± 0,15; (Turn down 1:1)
Long-term stability	[% of the span]	< ± 0,1; (Turn down 1:1; per year)

PM1505



Flush pressure sensor

PM-004-REA12-A-ZVG/US

Total deviation over temperature range	Temperature range		total deviation	
	-25...15 °C		Characteristics deviation ± 0,05 % of the span / 10 K	
	15...80 °C		Characteristics deviation	
	80...150 °C		Characteristics deviation ± 0,1 % of the span / 10 K	
Notes on the accuracy / deviation	for further details see section Diagrams and graphs			
Temperature monitoring				
Accuracy	[K]	± 2.5 K + (0.045 x (ambient temperature - medium temperature))		
Repeatability	[K]	± 0,2		
Resolution	[K]	0.2		
Reaction times				
Damping for the analog output dAA	[s]	0...4		
2-wire				
Step response time analog output	[ms]	30		
3-wire				
Step response time analog output	[ms]	7		
Temperature monitoring				
Dynamic response T05 / T09	[s]	< 10 / < 25; (DIN EN 60751 water; > 0,9 m/s)		
Interfaces				
Communication interface	IO-Link			
Transmission type	COM2 (38,4 kBaud)			
IO-Link revision	1.1			
SDCI standard	IEC 61131-9			
Profiles	Smart Sensor ED2: Identification and Diagnosis (0x4000), Measurement Data Channel (0x800A)			
SIO mode	no			
Required master port class	A; (when pin 2 not connected: B)			
Min. process cycle time	[ms]	4.5		
IO-Link resolution pressure	[bar]	0.001		
IO-Link resolution temperature	[K]	0.2		
IO-Link process data (cyclical)	Function	bit length		
	pressure	16		
	temperature	16		
	device status	4		
IO-Link functions (acyclical)	application specific tag; internal temperature			
Supported DeviceIDs	Type of operation	DeviceID		
	default	1023		
Operating conditions				
Ambient temperature	[°C]	-25...80		
Storage temperature	[°C]	-40...100		
Protection	IP 67; IP 68; IP 69K			

PM1505



Flush pressure sensor

PM-004-REA12-A-ZVG/US

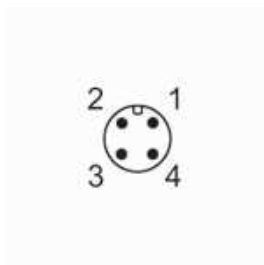
Tests / approvals		
EMC	DIN EN 61326-1	
Shock resistance	DIN EN 60068-2-27	50 g (11 ms)
Vibration resistance	DIN EN 60068-2-6	20 g (10...2000 Hz)
MTTF	[years]	322
UL approval	UL approval number	J024
	File number UL	E174189

Mechanical data		
Weight	[g]	307.8
Material	stainless steel (1.4404 / 316L); PTFE; FKM	
Materials (wetted parts)	ceramics (99.9 % Al ₂ O ₃); stainless steel (1.4435 / 316L); surface characteristics: Ra < 0,4 / Rz 4; PEEK; PTFE	
Min. pressure cycles	100 million	
Tightening torque	[Nm]	20
Process connection	threaded connection G 1/2 external thread sealing cone	

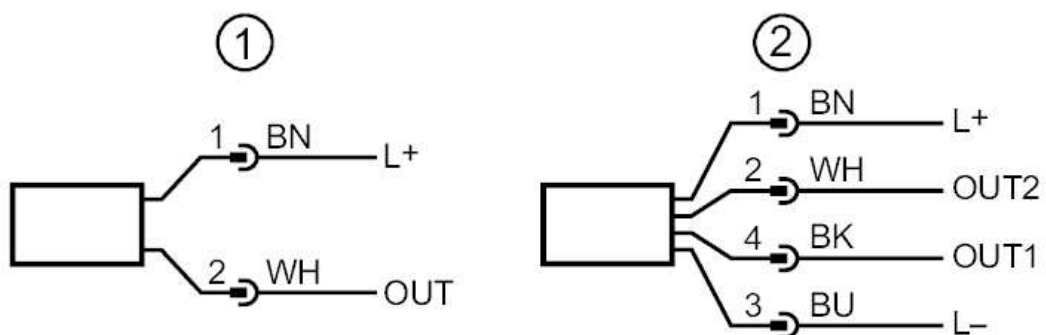
Remarks	
Pack quantity	1 pcs.

Electrical connection

Connector: 1 x M12; coding: A; Contacts: gold-plated



Connection



- 1 connection for 2-wire operation (analog)
 - 2 connection for 3-wire operation (analog / IO-Link)
- OUT1: IO-Link
OUT2: analog output

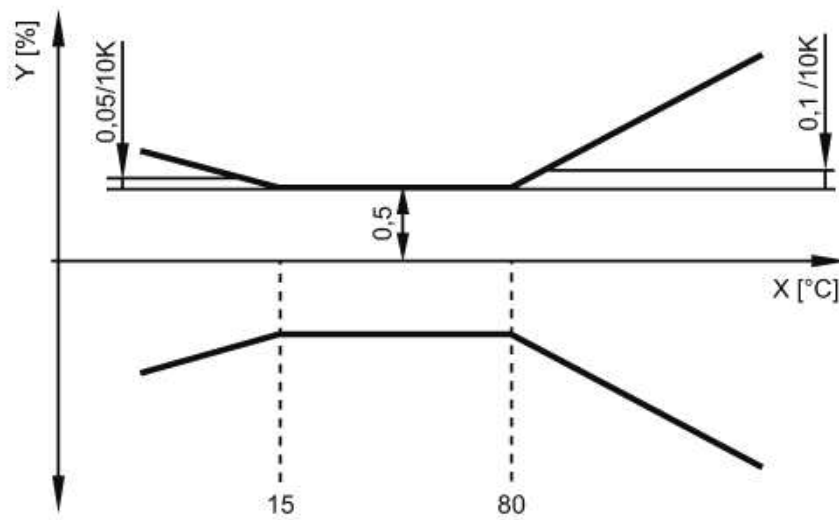
PM1505



Flush pressure sensor

PM-004-REA12-A-ZVG/US

Diagrams and graphs



X temperature
Y total deviation