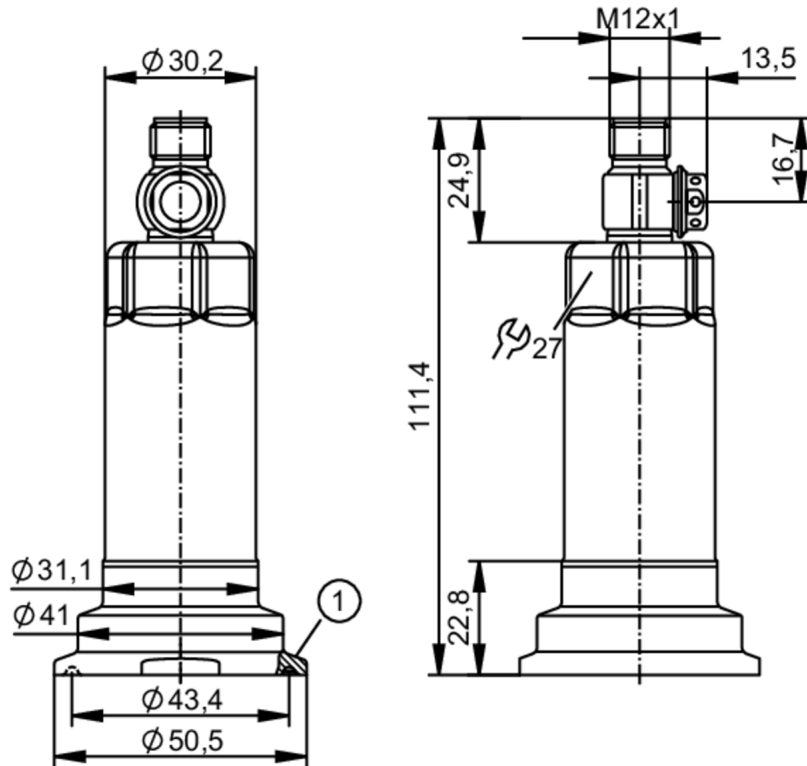


PM1106



Flush pressure sensor

PM-2,5BREZ01-E-ZVG/US



1 clamp DN25...DN40 (1...1.5") DIN 32676 (ISO 2852)
the seal for the Triclamp process connection must have an inner diameter of at least 22 mm



Product characteristics

Number of inputs and outputs	Number of digital outputs: 1; Number of analog outputs: 1			
Measuring range	-0.125...2.5 bar	-125...2500 mbar	-1.82...36.26 psi	-12.5...250 kPa
Process connection	Clamp DN25...DN40 (1...1.5") DIN 32676 (ISO 2852)			

Application

System	gold-plated contacts		
Measuring element	ceramic-capacitive pressure measuring cell		
Temperature monitoring	no		
Application	flush mountable for the food and beverage industry		
Media	viscous media and liquids with suspended particles; liquids and gases		
Medium temperature [°C]	-25...150		
Min. bursting pressure	50000 mbar	725 psi	5000 kPa
Pressure rating	20000 mbar	290 psi	2000 kPa
Note on pressure rating	take into account the pressure resistance of the bracket and the seal used for clamp connection		
Vacuum resistance [mbar]	-1000		
Type of pressure	relative pressure; vacuum		
No dead space	yes		
MAWP (for applications according to CRN) [bar]	20		

PM1106



Flush pressure sensor

PM-2,5BREZ01-E-ZVG/US

Electrical data	
Operating voltage [V]	18...30 DC
Min. insulation resistance [MΩ]	100; (500 V DC)
Protection class	III
Reverse polarity protection	yes
Integrated watchdog	yes
2-wire	
Current consumption [mA]	3.5...21.5
Power-on delay time [s]	1
3-wire	
Current consumption [mA]	< 45
Power-on delay time [s]	0.5
Inputs / outputs	
Number of inputs and outputs	Number of digital outputs: 1; Number of analog outputs: 1
Outputs	
Total number of outputs	2
Output signal	analog signal; IO-Link; (configurable)
Number of digital outputs	1; (IO-Link)
Number of analog outputs	1
Analog current output [mA]	4...20; (scalable)
Max. load [Ω]	700; (U _b = 24 V; (U _b - 9 V) / 21.5 mA)
Short-circuit proof	yes
Overload protection	yes
Measuring/setting range	
Measuring range	-0.125...2.5 bar -125...2500 mbar -1.82...36.26 psi -12.5...250 kPa
Analog start point	-125...2000 mbar -1.82...29 psi -12.5...200 kPa
Analog end point	375...2500 mbar 5.44...36.26 psi -37.5...250 kPa
In steps of	1 mbar 0.02 psi 0.1 kPa
Factory setting	ASP = 0.0 mbar AEP = 2500 mbar
Accuracy / deviations	
Repeatability [% of the span]	< ± 0,1; (with temperature fluctuations < 10 K; Turn down 1:1)
Characteristics deviation [% of the span]	< ± 0,2; (linearity incl. hysteresis and repeatability, limit value setting to DIN EN IEC 62828-1)
Linearity deviation [% of the span]	< ± 0,15; (Turn down 1:1)
Hysteresis deviation [% of the span]	< ± 0,15; (Turn down 1:1)
Long-term stability [% of the span]	< ± 0,1; (Turn down 1:1; per year)
Temperature coefficient zero point [% of the span / 10 K]	< ± 0,05
Temperature coefficient span [% of the span / 10 K]	< ± 0,15

PM1106



Flush pressure sensor

PM-2,5BREZ01-E-ZVG/US

Total deviation over temperature range	Temperature range	total deviation
	-25...15 °C	Characteristics deviation $\pm 0,05$ % of the span / 10 K
	15...80 °C	Characteristics deviation
	80...150 °C	Characteristics deviation $\pm 0,1$ % of the span / 10 K
Notes on the accuracy / deviation	for further details see section Diagrams and graphs	

Reaction times		
Damping for the analog output dAA	[s]	0...4
2-wire		
Step response time analog output	[ms]	30
3-wire		
Step response time analog output	[ms]	7

Interfaces		
Communication interface	IO-Link	
Transmission type	COM2 (38,4 kBaud)	
IO-Link revision	1.1	
SDCI standard	IEC 61131-9	
Profiles	Digital Measuring Sensor (0x000A), Identification and Diagnosis (0x4000)	
SIO mode	no	
Required master port class	A	
Process data analog	3	
Min. process cycle time	[ms]	3.2
IO-Link resolution pressure	[bar]	0.5
IO-Link process data (cyclical)	Function	bit length
	pressure	16
	device status	4
IO-Link functions (acyclical)	application specific tag; internal temperature	
Supported DeviceIDs	Type of operation	DeviceID
	default	665

Operating conditions		
Ambient temperature	[°C]	-25...80
Storage temperature	[°C]	-40...100
Protection	IP 67; IP 68; IP 69K	

Tests / approvals		
EMC	DIN EN 61000-6-2	
	DIN EN 61000-6-3	
Shock resistance	DIN EN 60068-2-27	50 g (11 ms)
Vibration resistance	DIN EN 60068-2-6	20 g (10...2000 Hz)
MTTF	[years]	323
Note on approval	Factory certificate available as download at www.factory-certificate.ifm	
UL approval	UL approval number	J055
	File number UL	E174189

PM1106



Flush pressure sensor

PM-2,5BREVZ01-E-ZVG/US

Mechanical data	
Weight [g]	391.9
Material	stainless steel (1.4404 / 316L); PBT
Materials (wetted parts)	ceramics (99.9 % Al ₂ O ₃); stainless steel (1.4435 / 316L); surface characteristics: Ra < 0,4 / Rz 4; PTFE
Min. pressure cycles	100 million
Process connection	Clamp DN25...DN40 (1...1,5") DIN 32676 (ISO 2852)

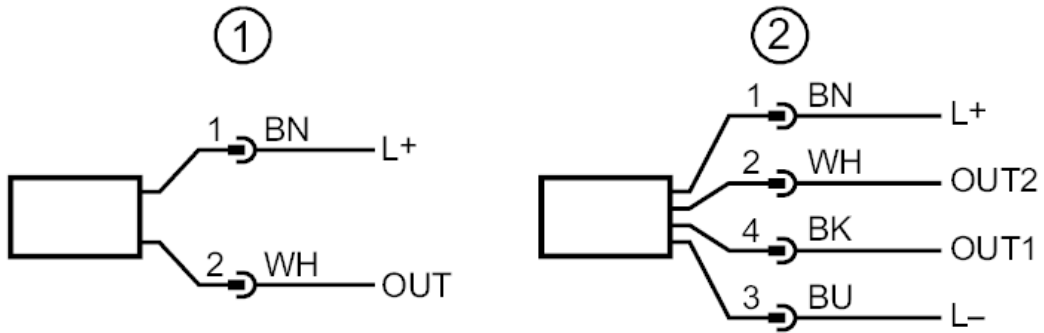
Remarks	
Pack quantity	1 pcs.

Electrical connection

Connector: 1 x M12; coding: A; Contacts: gold-plated



Connection



- 1 connection for 2-wire operation (analog)
- 2 connection for 3-wire operation (analog / IO-Link)
OUT1 : IO-Link
OUT2 : analog output

PM1106

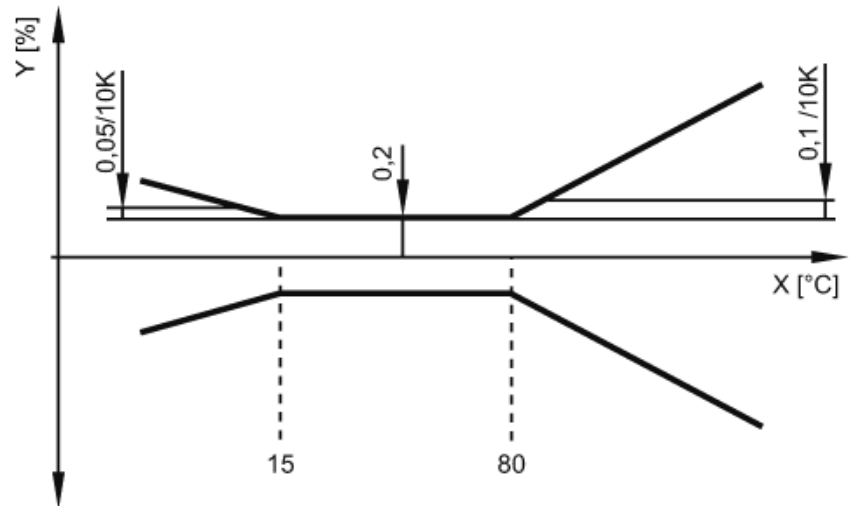


Flush pressure sensor

PM-2,5BREV01-E-ZVG/US

Diagrams and graphs

ambient temperature influence on the accuracy



X temperature
Y total deviation