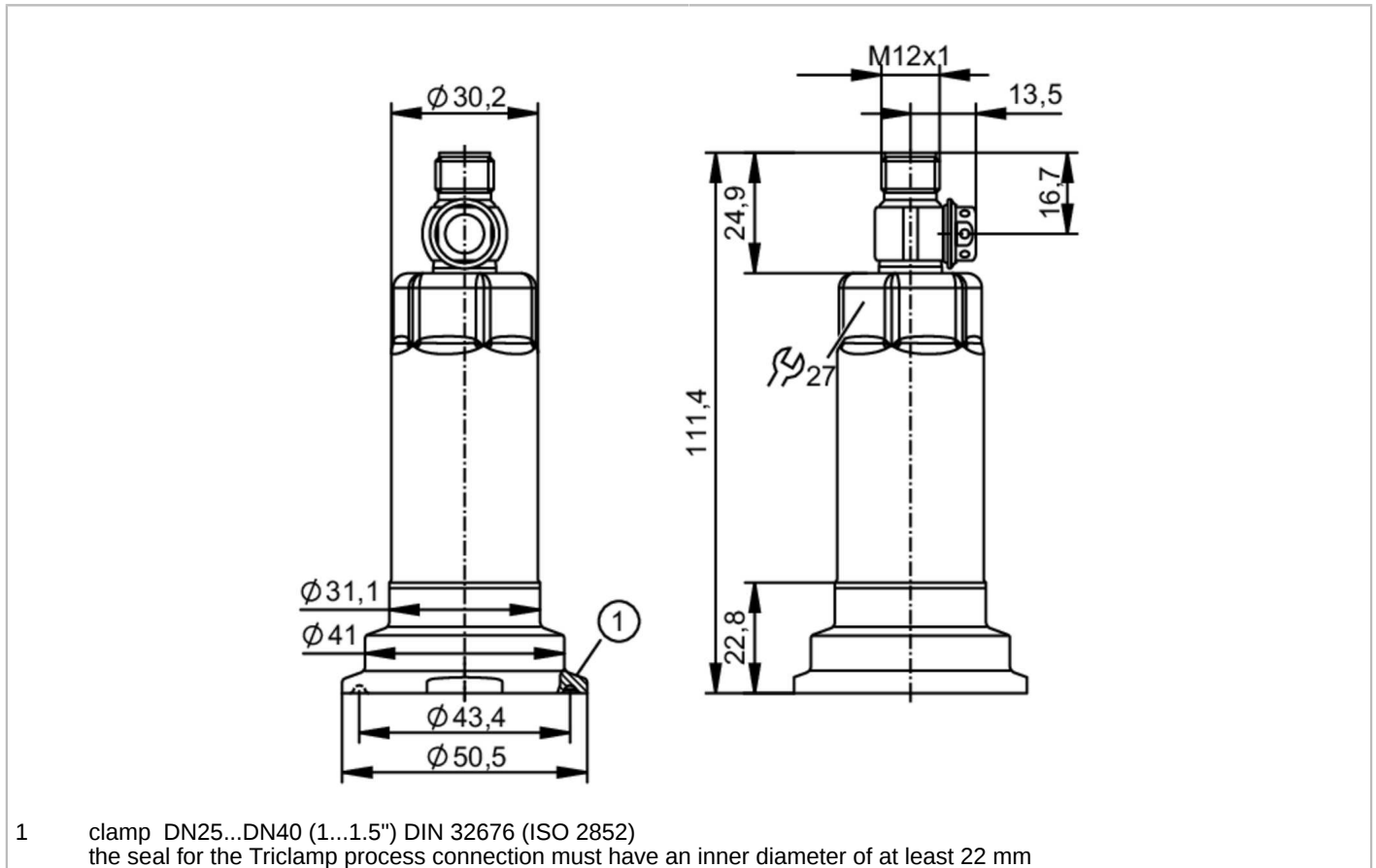


PM1104



Flush pressure sensor

PM-010-REZ01-E-ZVG/US



Product characteristics	
Number of inputs and outputs	Number of digital outputs: 1; Number of analog outputs: 1
Measuring range	-1...10 bar -14.5...145 psi -100...1000 kPa -0.1...1 MPa
Process connection	Clamp DN25...DN40 (1...1,5") DIN 32676 (ISO 2852)
Application	
System	gold-plated contacts
Measuring element	ceramic-capacitive pressure measuring cell
Temperature monitoring	no
Application	flush mountable for the food and beverage industry
Media	viscous media and liquids with suspended particles; liquids and gases
Medium temperature [°C]	-25...150
Min. bursting pressure	150 bar 2175 psi 15 MPa
Pressure rating	50 bar 725 psi 5 MPa
Note on pressure rating	take into account the pressure resistance of the bracket and the seal used for clamp connection
Vacuum resistance [mbar]	-1000
Type of pressure	relative pressure; vacuum
No dead space	yes
MAWP (for applications according to CRN) [bar]	50

PM1104



Flush pressure sensor

PM-010-REZ01-E-ZVG/US

Electrical data					
Operating voltage	[V]	18...30 DC			
Min. insulation resistance	[MΩ]	100; (500 V DC)			
Protection class		III			
Reverse polarity protection		yes			
Integrated watchdog		yes			
2-wire					
Current consumption	[mA]	3.5...21.5			
Power-on delay time	[s]	1			
3-wire					
Current consumption	[mA]	< 45			
Power-on delay time	[s]	0.5			
Inputs / outputs					
Number of inputs and outputs		Number of digital outputs: 1; Number of analog outputs: 1			
Outputs					
Total number of outputs		2			
Output signal		analog signal; IO-Link; (configurable)			
Number of digital outputs		1; (IO-Link)			
Number of analog outputs		1			
Analog current output	[mA]	4...20; (scalable)			
Max. load	[Ω]	700; (U _b = 24 V; (U _b - 9 V) / 21.5 mA)			
Short-circuit proof		yes			
Overload protection		yes			
Measuring/setting range					
Measuring range		-1...10 bar	-14.5...145 psi	-100...1000 kPa	-0.1...1 MPa
Analog start point		-1...8 bar	-14.5...116 psi		-0.1...0.8 MPa
Analog end point		1...10 bar	14.5...145 psi		0.1...1 MPa
In steps of		0.005 bar	0.1 psi		0.0005 MPa
Factory setting		ASP = 0.0 bar	AEP = 10.0 bar		
Accuracy / deviations					
Repeatability	[% of the span]	< ± 0,1; (with temperature fluctuations < 10 K; Turn down 1:1)			
Characteristics deviation	[% of the span]	< ± 0,2; (linearity incl. hysteresis and repeatability, limit value setting to DIN EN IEC 62828-1)			
Linearity deviation	[% of the span]	< ± 0,15; (Turn down 1:1)			
Hysteresis deviation	[% of the span]	< ± 0,15; (Turn down 1:1)			
Long-term stability	[% of the span]	< ± 0,1; (Turn down 1:1; per year)			
Temperature coefficient zero point	[% of the span / 10 K]	< ± 0,05; (0...70 °C)			
Temperature coefficient span	[% of the span / 10 K]	< ± 0,15; (0...70 °C)			

PM1104



Flush pressure sensor

PM-010-REZ01-E-ZVG/US

Total deviation over temperature range	Temperature range	total deviation
	-25...15 °C	Characteristics deviation $\pm 0,05$ % of the span / 10 K
	15...80 °C	Characteristics deviation
	80...150 °C	Characteristics deviation $\pm 0,1$ % of the span / 10 K
Notes on the accuracy / deviation	for further details see section Diagrams and graphs	

Reaction times		
Damping for the analog output dAA	[s]	0...4
2-wire		
Step response time analog output	[ms]	30
3-wire		
Step response time analog output	[ms]	7

Interfaces		
Communication interface	IO-Link	
Transmission type	COM2 (38,4 kBaud)	
IO-Link revision	1.1	
SDCI standard	IEC 61131-9	
Profiles	Digital Measuring Sensor (0x000A), Identification and Diagnosis (0x4000)	
SIO mode	no	
Required master port class	A	
Process data analog	3	
Min. process cycle time	[ms]	3.2
IO-Link resolution pressure	[bar]	0.002
IO-Link process data (cyclical)	Function	bit length
	pressure	16
	device status	4
IO-Link functions (acyclical)	application specific tag; internal temperature	
Supported DeviceIDs	Type of operation	DeviceID
	default	662

Operating conditions		
Ambient temperature	[°C]	-25...80
Storage temperature	[°C]	-40...100
Protection	IP 67; IP 68; IP 69K	

Tests / approvals		
EMC	DIN EN 61000-6-2	
	DIN EN 61000-6-3	
Shock resistance	DIN EN 60068-2-27	50 g (11 ms)
Vibration resistance	DIN EN 60068-2-6	20 g (10...2000 Hz)
MTTF	[years]	323
Note on approval	Factory certificate available as download at www.factory-certificate.ifm	
UL approval	UL approval number	J055
	File number UL	E174189

PM1104



Flush pressure sensor

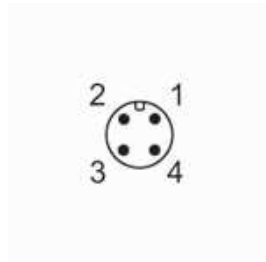
PM-010-REZ01-E-ZVG/US

Mechanical data	
Weight [g]	369.35
Material	stainless steel (1.4404 / 316L); PBT
Materials (wetted parts)	ceramics (99.9 % Al ₂ O ₃); stainless steel (1.4435 / 316L); surface characteristics: Ra < 0,4 / Rz 4; PTFE
Min. pressure cycles	100 million
Process connection	Clamp DN25...DN40 (1...1,5") DIN 32676 (ISO 2852)

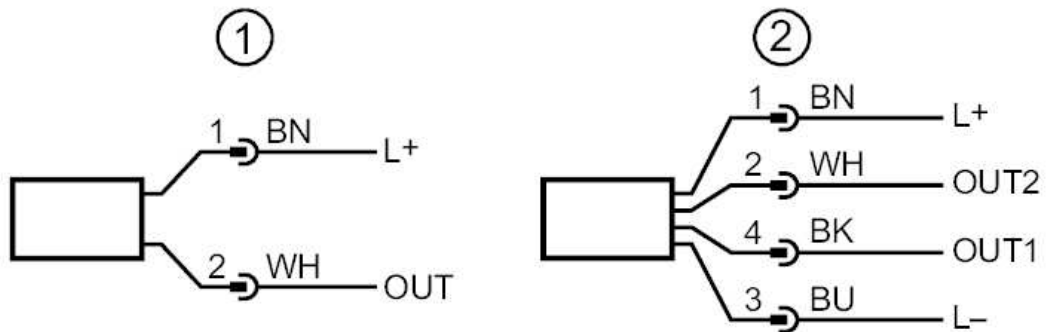
Remarks	
Pack quantity	1 pcs.

Electrical connection

Connector: 1 x M12; coding: A; Contacts: gold-plated



Connection



- 1 connection for 2-wire operation (analog)
- 2 connection for 3-wire operation (analog / IO-Link)
OUT1 : IO-Link
OUT2 : analog output

PM1104

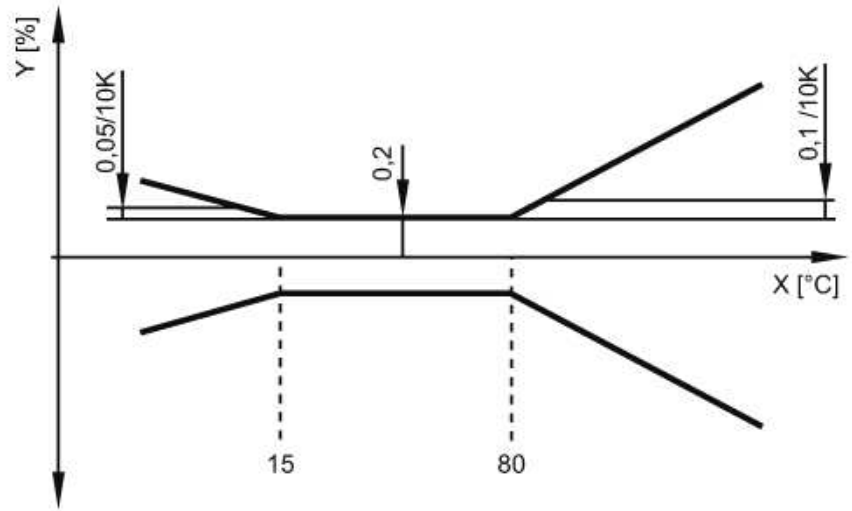


Flush pressure sensor

PM-010-REZ01-E-ZVG/US

Diagrams and graphs

ambient temperature influence on the accuracy



X temperature
Y total deviation