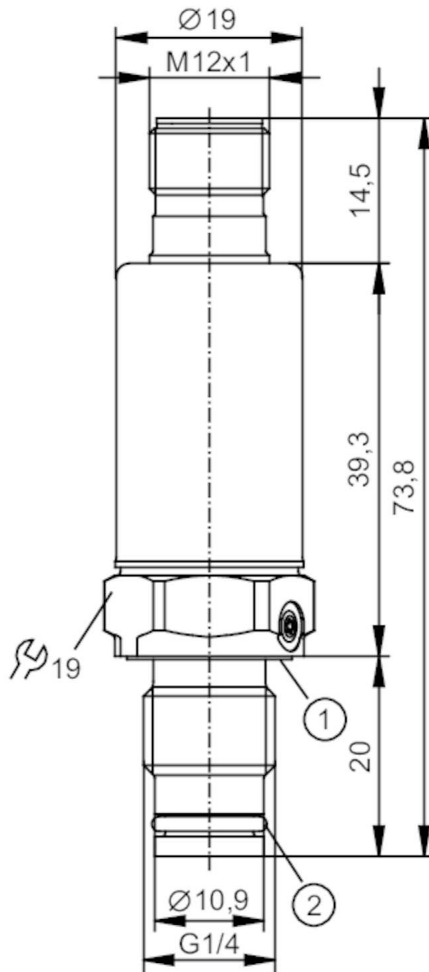


PL5423



Flush pressure transmitter

PL-060-SEG14-A-ZVG/US/ IW



- 1 Gasket DIN 3869-14-FKM
- 2 O-ring 8.5 x 1.5 FKM



Product characteristics

Number of inputs and outputs	Number of analog outputs: 1		
Measuring range	0...60 bar	0...870 psi	0...6 MPa
Process connection	threaded connection G 1/4 external thread		

Application

Measuring element	thin film measuring cell with diaphragm seal technique		
Application	Industrial pressure / vacuum transmitters, flush mount, analog output Type PL; for industrial applications		
Media	viscous media and liquids with suspended particles; liquids and gases		
Medium temperature [°C]	-20...90		
Min. bursting pressure	900 bar	13050 psi	90 MPa
Pressure rating	150 bar	2175 psi	15 MPa
Note on pressure rating	static		
Vacuum resistance [mbar]	-1000		
Type of pressure	relative pressure		

PL5423



Flush pressure transmitter

PL-060-SEG14-A-ZVG/US/ IW

Electrical data				
Operating voltage	[V]	8.5...36 DC		
Min. insulation resistance	[MΩ]	100; (500 V DC)		
Protection class		III		
Reverse polarity protection		yes		
Power-on delay time	[s]	0.1		
Inputs / outputs				
Number of inputs and outputs		Number of analog outputs: 1		
Outputs				
Total number of outputs		1		
Output signal		analog signal		
Number of analog outputs		1		
Analog current output	[mA]	4...20		
Max. load	[Ω]	$(U_b - 8,5 \text{ V}) / 21,5 \text{ mA}$; @8,5V= 0 Ω; @12V max. 160 Ω; @24V max. 720 Ω		
Short-circuit proof		yes		
Overload protection		yes		
Measuring/setting range				
Measuring range		0...60 bar	0...870 psi	0...6 MPa
Accuracy / deviations				
Repeatability	[% of the span]	< ± 0,05; (with temperature fluctuations < 10 K)		
Characteristics deviation	[% of the span]	< ± 0,5; (incl. drift when overtightened, zero point and span error, non-linearity, hysteresis)		
Linearity deviation	[% of the span]	< ± 0,1 (BFSL) / < ± 0,2 (LS)		
Hysteresis deviation	[% of the span]	< ± 0,2		
Long-term stability	[% of the span]	< ± 0,1; (per 6 months)		
Temperature coefficient zero point	[% of the span / 10 K]	< 0,35 (-25...90 °C)		
Temperature coefficient span	[% of the span / 10 K]	< 0,15 (-25...90 °C)		
Reaction times				
Step response time analog output	[ms]	2		
Operating conditions				
Ambient temperature	[°C]	-25...90		
Storage temperature	[°C]	-25...100		
Protection		IP 67; IP 69K		
Tests / approvals				
EMC		DIN EN 61000-6-2		
		DIN EN 61000-6-3		
Shock resistance		DIN EN 60068-2-27	50 g (11 ms)	
Vibration resistance		DIN EN 60068-2-6	20 g (10...2000 Hz)	

PL5423



Flush pressure transmitter

PL-060-SEG14-A-ZVG/US/ IW

MTTF	[years]	787
UL approval	UL approval number	J045
	File number UL	E174189

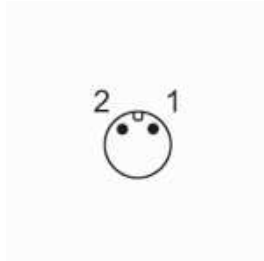
Mechanical data		
Weight	[g]	65
Material		1.4542 (17-4 PH / 630); stainless steel (1.4404 / 316L); PEI
Materials (wetted parts)		1.4542 (17-4 PH / 630); stainless steel (1.4435 / 316L); FKM
Min. pressure cycles		60 million; (at 1.2 times nominal pressure)
Tightening torque	[Nm]	25...35; (recommended tightening torque; Depends on lubrication, seal and pressure rating)
Process connection		threaded connection G 1/4 external thread
Process connection sealing		FKM
Fill fluid for pressure transfer		NEOBEE (food grade, FDA compliant)

Accessories	
Items supplied	O-ring : 8,5mm x 1,5mm, FKM, E30517 Gasket : G1/4 DIN EN ISO 1179-2, FKM, E30145
Accessories (optional)	O-ring : 5 x (8,5mm x 1,5 mm), FKM, E30517 O-ring : 1 x (8,5mm x 1,5 mm), FFKM, E30518 O-ring : 5 x (8,5mm x 1,5 mm), EPDM, E30519 Gasket : 10 x G/1/4 DIN EN ISO 1179-2, FKM, E30145 Gasket : 1 x G/1/4 DIN EN ISO 1179-2, FFKM, E30520 Gasket : 10 x G/1/4 DIN EN ISO 1179-2, EPDM, E30442

Remarks	
Remarks	BFSL = Best Fit Straight Line LS = limit value setting
Pack quantity	1 pcs.

Electrical connection

Connector: 1 x M12; coding: A



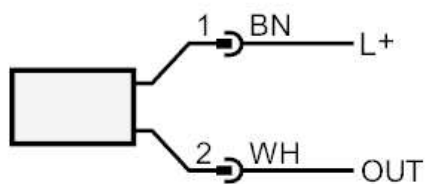
PL5423



Flush pressure transmitter

PL-060-SEG14-A-ZVG/US/ IW

Connection



OUT	analog output Colors to DIN EN 60947-5-2 Core colors :
BN	brown
WH	white