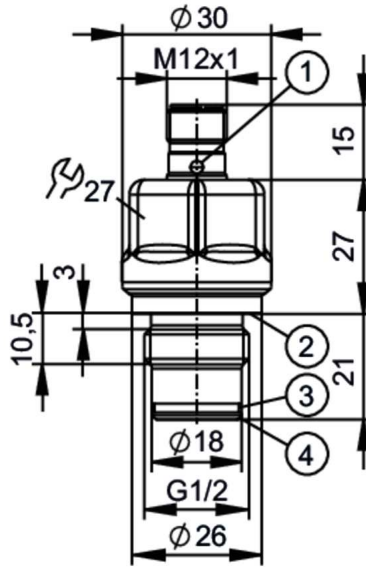


PL1504



Flush pressure transmitter

PL-010-REA12-A-DKG/US/ I



- 1 LED
- 2 sealing DIN EN ISO 1179-2
- 3 groove for O-ring 16.4 x 1.0
- 4 area for metal sealing



Product characteristics

Number of inputs and outputs	Number of digital outputs: 1; Number of analog outputs: 1		
Measuring range	-1...10 bar	-14.5...145 psi	-0.1...1 MPa
Process connection	threaded connection G 1/2 external thread		

Application

System	gold-plated contacts		
Measuring element	ceramic-capacitive pressure measuring cell		
Temperature monitoring	yes		
Application	Industrial pressure / vacuum transmitters, flush mount, analog output Type PL; for industrial applications		
Media	viscous media and liquids with suspended particles; Liquids; other media on request		
Medium temperature [°C]	-25...110; (flush mount zero-leak using metal-to-metal seal. For permissible temperatures of other sealing versions, see sealing materials under "Accessories")		
Min. bursting pressure	175 bar	2538 psi	17 MPa
Pressure rating	70 bar	1015 psi	7 MPa
Vacuum resistance [mbar]	-1000		
Type of pressure	relative pressure; vacuum		
No dead space	yes		

Electrical data

Operating voltage [V]	9.6...30 DC		
Min. insulation resistance [MΩ]	100; (500 V DC)		
Protection class	III		
Reverse polarity protection	yes		
Integrated watchdog	yes		

PL1504



Flush pressure transmitter

PL-010-REA12-A-DKG/US/ /

2-wire			
Current consumption	[mA]	3.5...21.5	
Power-on delay time	[s]	< 1	
3-wire			
Current consumption	[mA]	< 30	
Power-on delay time	[s]	< 0.5	
Inputs / outputs			
Number of inputs and outputs	Number of digital outputs: 1; Number of analog outputs: 1		
Outputs			
Total number of outputs	2		
Output signal	analog signal; IO-Link (configurable)		
Number of digital outputs	1; (IO-Link)		
Number of analog outputs	1		
Analog current output	[mA]	4...20; (scalable; 1:5)	
Max. load	[Ω]	(U _b - 9,6 V) / 21,5 mA; 670 Ω (U _b = 24 V)	
Short-circuit proof	yes		
Overload protection	yes		
Measuring/setting range			
Measuring range	-1...10 bar	-14.5...145 psi	-0.1...1 MPa
Analog start point	-1...8 bar	-14.5...116 psi	-0.1...0.8 MPa
Analog end point	1...10 bar	14.5...145 psi	0.1...1 MPa
In steps of	0.002 bar	0.2 psi	0.0002 MPa
Factory setting	ASP = 0.0 bar	AEP = 10.0 bar	
	ASP = 0.0 psi	AEP = 145.0 psi	
	ASP = 0.0 MPa	AEP = 1.0 MPa	
Temperature monitoring			
Measuring range	-25...110 °C		-13...230 °F
Accuracy / deviations			
Repeatability	[% of the span]	< ± 0,1; (with temperature fluctuations < 10 K; Turn down 1:1)	
Characteristics deviation	[% of the span]	< ± 0,5; (linearity incl. hysteresis and repeatability, limit value setting to DIN EN IEC 62828-1)	
Linearity deviation	[% of the span]	< ± 0,15; (Turn down 1:1)	
Hysteresis deviation	[% of the span]	< ± 0,15; (Turn down 1:1)	
Long-term stability	[% of the span]	< ± 0,1; (Turn down 1:1; per year)	
Temperature coefficient zero point	[% of the span / 10 K]	< ± 0,1 (-25...85 °C)	
		< ± 0,3 (85...110 °C)	
Temperature coefficient span	[% of the span / 10 K]	< ± 0,1 (-25...85 °C)	
		< ± 0,3 (85...110 °C)	
Temperature monitoring			
Accuracy	[K]	± 2.5 K + (0.045 x (ambient temperature - medium temperature))	

PL1504



Flush pressure transmitter

PL-010-REA12-A-DKG/US/ I

Reaction times										
Damping process value dAP	[s]	0...99.99								
Damping for the analog output dAA	[s]	0...99.99								
2-wire										
Step response time analog output	[ms]	12								
3-wire										
Step response time analog output	[ms]	3								
Temperature monitoring										
Dynamic response T05 / T09	[s]	< 10 / < 25; (DIN EN 60751 water; > 0,9 m/s)								
Interfaces										
Communication interface		IO-Link								
Transmission type		COM2 (38,4 kBaud)								
IO-Link revision		1.1								
SDCI standard		IEC 61131-9								
Profiles		Smart Sensor ED2: Identification and Diagnosis (0x4000), Measurement Data Channel (0x800A)								
SIO mode		no								
Required master port class		A; (when pin 2 not connected: B)								
Min. process cycle time	[ms]	3.5								
IO-Link resolution pressure	[kPa]	0.002								
IO-Link resolution temperature	[K]	0.2								
IO-Link process data (cyclical)		<table><thead><tr><th>Function</th><th>bit length</th></tr></thead><tbody><tr><td>pressure</td><td>16</td></tr><tr><td>temperature</td><td>16</td></tr><tr><td>device status</td><td>4</td></tr></tbody></table>	Function	bit length	pressure	16	temperature	16	device status	4
Function	bit length									
pressure	16									
temperature	16									
device status	4									
IO-Link functions (acyclical)		application specific tag; internal temperature								
Supported DeviceIDs		<table><thead><tr><th>Type of operation</th><th>DeviceID</th></tr></thead><tbody><tr><td>default</td><td>1437</td></tr></tbody></table>	Type of operation	DeviceID	default	1437				
Type of operation	DeviceID									
default	1437									
Operating conditions										
Ambient temperature	[°C]	-25...90								
Storage temperature	[°C]	-40...100								
Protection		IP 67; IP 68; IP 69								
Tests / approvals										
EMC		DIN EN 61326-1								
Shock resistance		DIN EN 60068-2-27 50 g (11 ms)								
Vibration resistance		DIN EN 60068-2-6 20 g (10...2000 Hz)								
MTTF	[years]	427								
UL approval		<table><tbody><tr><td>Enclosure type</td><td>Type 1</td></tr><tr><td>UL approval number</td><td>J050</td></tr><tr><td>File number UL</td><td>E174189</td></tr></tbody></table>	Enclosure type	Type 1	UL approval number	J050	File number UL	E174189		
Enclosure type	Type 1									
UL approval number	J050									
File number UL	E174189									
Mechanical data										
Weight	[g]	85.3								

PL1504



Flush pressure transmitter

PL-010-REA12-A-DKG/US/ /

Material	stainless steel (1.4435 / 316L); stainless steel (1.4404 / 316L); PA; PTFE; FKM
Materials (wetted parts)	stainless steel (1.4435 / 316L); Al ₂ O ₃ (ceramics); surface characteristics : Ra < 0,4 / Rz 4; PTFE; (FKM for sealing with seal DIN EN ISO 1179-2, see operating instructions)
Min. pressure cycles	100 million
Tightening torque [Nm]	25
Process connection	threaded connection G 1/2 external thread

Displays / operating elements

Display	operating status	2 LED, green
---------	------------------	--------------

Accessories

Items supplied	Gasket: G1/2, FKM DIN EN ISO1179-2 (-15...110°C), E30492
Accessories (optional)	Gasket: G1/2, FKM DIN EN ISO1179-2 (-15...110°C), E30492
	Gasket: G1/2, EPDM DIN EN ISO1179-2 (-25...110°C), E30451
	Gasket: G1/2, FFKM DIN EN ISO1179-2 (-5...110°C), E30513
	O-ring: 16,4 x 1, FKM (-15...110°C), E30510
	O-ring: 16,4 x 1, EPDM (-25...110°C), E30511
	O-ring: 16,4 x 1, FFKM (-5...110°C), E30512

Remarks

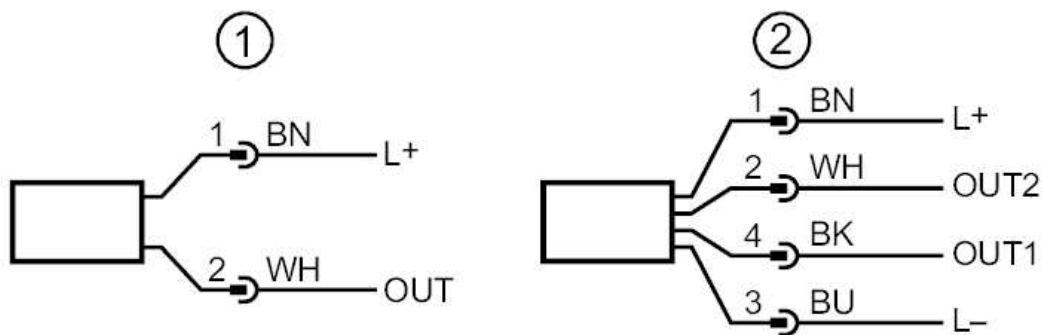
Pack quantity	1 pcs.
---------------	--------

Electrical connection

Connector: 1 x M12; coding: A; Contacts: gold-plated



Connection



- 1 connection for 2-wire operation (analog)
 - 2 connection for 3-wire operation (analog / IO-Link)
- OUT1: IO-Link
OUT2: analog output