

PI2815

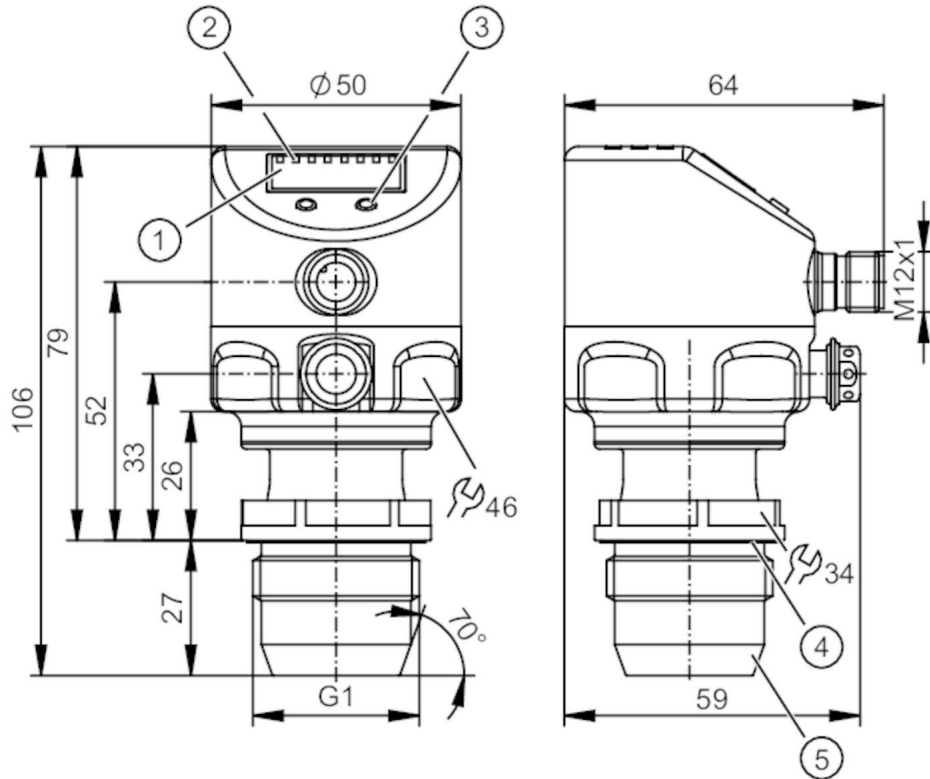


Flush pressure sensor with display

PI-006-REA01-MFRKG/US/ IP

Alternative articles: PI1815

When selecting an alternative article and accessories please note that technical data may differ!



- 1 alphanumeric display 4-digit
- 2 status LEDs
- 3 Programming button
- 4 groove with sealing ring
- 5 sealing contour external thread G1

Attention: The unit must only be installed in a process connection for G1 sealing cone. The G1A sealing cone of the unit is only suited for adapters with metal end stop.



Product characteristics

Number of inputs and outputs	Number of digital outputs: 2; Number of analog outputs: 1		
Measuring range	-1...6 bar	-14.5...87 psi	-100...600 kPa
Process connection	threaded connection G 1 external thread sealing cone Attention: The unit must only be installed in a process connection for G1 sealing cone.; The G1A sealing cone of the unit is only suited for adapters with metal end stop.		

Application

System	gold-plated contacts		
Application	flush mountable for the food and beverage industry		
Media	viscous media and liquids with suspended particles; liquids and gases		
Medium temperature [°C]	-25...125; (145 max. 1h)		
Min. bursting pressure	100 bar	1450 psi	10000 kPa
Pressure rating	30 bar	435 psi	3000 kPa
Vacuum resistance [mbar]	-1000		
Type of pressure	relative pressure; vacuum		

PI2815



Flush pressure sensor with display

PI-006-REA01-MFRKG/US/ IP

No dead space		yes	
MAWP (for applications according to CRN)	[bar]	30	
Electrical data			
Min. insulation resistance	[MΩ]	100; (500 V DC)	
Protection class		III	
Reverse polarity protection		yes	
Integrated watchdog		yes	
2-wire			
Operating voltage	[V]	20...32 DC	
Current consumption	[mA]	3.6...21	
Power-on delay time	[s]	1	
3-wire			
Operating voltage	[V]	18...32 DC	
Current consumption	[mA]	< 45	
Power-on delay time	[s]	0.5	
Inputs / outputs			
Number of inputs and outputs		Number of digital outputs: 2; Number of analog outputs: 1	
Outputs			
Total number of outputs		2	
Output signal		switching signal; analog signal; IO-Link; (configurable)	
Electrical design		PNP/NPN	
Number of digital outputs		2	
Output function		normally open / closed; (configurable)	
Number of analog outputs		1	
Analog current output	[mA]	4...20, invertible; (scalable)	
Short-circuit protection		yes	
Type of short-circuit protection		yes (non-latching)	
Overload protection		yes	
2-wire			
Max. load	[Ω]	300	
3-wire			
Max. voltage drop switching output DC	[V]	2	
Permanent current rating of switching output DC	[mA]	250	
Switching frequency DC	[Hz]	125	
Max. load	[Ω]	(U _b - 10 V) / 20 mA	
Measuring/setting range			
Measuring range	-1...6 bar	-14.5...87 psi	-100...600 kPa
Set point SP	-0.99...6 bar	-14.4...87 psi	-99...600 kPa
Reset point rP	-1...5.99 bar	-14.5...86.9 psi	-100...599 kPa
Analog start point	-1...4.5 bar	-14.5...65.3 psi	-100...450 kPa
Analog end point	0.5...6 bar	7.3...87 psi	50...600 kPa

PI2815



Flush pressure sensor with display

PI-006-REA01-MFRKG/US/ IP

In steps of	0.005 bar	0.1 psi	0.5 kPa
Factory setting		SP1 = 1.5 bar	rP1 = 1.38 bar
		SP2 = 4.5 bar	rP2 = 4.380 bar
		ASP = 0.0 bar	AEP = 6.0 bar

Accuracy / deviations

Switch point accuracy [% of the span]	< ± 0,2; (Turn down 1:1)
Repeatability [% of the span]	< ± 0,1; (with temperature fluctuations < 10 K; Turn down 1:1)
Characteristics deviation [% of the span]	< ± 0,2; (Turn down 1:1, linearity, incl. hysteresis and repeatability, limit value setting to DIN EN IEC 62828-1)
Linearity deviation [% of the span]	< ± 0,15; (Turn down 1:1)
Hysteresis deviation [% of the span]	< ± 0,15; (Turn down 1:1)
Long-term stability [% of the span]	< ± 0,1; (Turn down 1:1; per year)
Temperature coefficient zero point [% of the span / 10 K]	< ± 0,05; (0...70 °C)
Temperature coefficient span [% of the span / 10 K]	< ± 0,15; (0...70 °C)

Reaction times

Damping process value dAP [s]	0...30
Damping for the analog output dAA [s]	0.01...99.99
2-wire	
Step response time analog output [ms]	45
3-wire	
Min. response time of switching output (dAP) [ms]	3
Step response time analog output [ms]	7

Interfaces

Communication interface	IO-Link	
Transmission type	COM2 (38,4 kBaud)	
IO-Link revision	1.0	
Profiles	no profile	
SIO mode	yes	
Required master port class	A	
Process data analog	1	
Process data binary	2	
Min. process cycle time [ms]	2.3	
Supported DeviceIDs	Type of operation	DeviceID
	default	728

Operating conditions

Ambient temperature [°C]	-25...80
--------------------------	----------

PI2815



Flush pressure sensor with display

PI-006-REA01-MFRKG/US/ IP

Storage temperature	[°C]	-40...100
Protection		IP 67; IP 68; IP 69K

Tests / approvals

EMC	EN 61000-4-2 ESD	4 kV CD / 8 kV AD
	EN 61000-4-3 HF radiated	10 V/m
	EN 61000-4-4 Burst	2 kV
	EN 61000-4-5 Surge	0,5/1 kV
	EN 61000-4-6 HF conducted	10 V
Shock resistance	DIN IEC 68-2-27	50 g (11 ms)
Vibration resistance	DIN IEC 68-2-6	20 g (10...2000 Hz)
MTTF	[years]	154

Mechanical data

Weight	[g]	377
Material		stainless steel (1.4404 / 316L); FKM; PTFE; PBT; PEI; PFA
Materials (wetted parts)		ceramics (99.9 % Al ₂ O ₃); stainless steel (1.4435 / 316L); surface characteristics: Ra < 0,4 / Rz 4; PTFE
Min. pressure cycles		100 million
Process connection		threaded connection G 1 external thread sealing cone Attention: The unit must only be installed in a process connection for G1 sealing cone.; The G1A sealing cone of the unit is only suited for adapters with metal end stop.

Displays / operating elements

Display	Display unit	LED, green
	Switching status	LED, yellow
	Function display	alphanumeric display, 4-digit
	Measured values	alphanumeric display, 4-digit
Display unit		bar; kPa; psi; % of the span

Remarks

Pack quantity	1 pcs.
---------------	--------

Electrical connection

Connector: 1 x M12; coding: A; Contacts: gold-plated



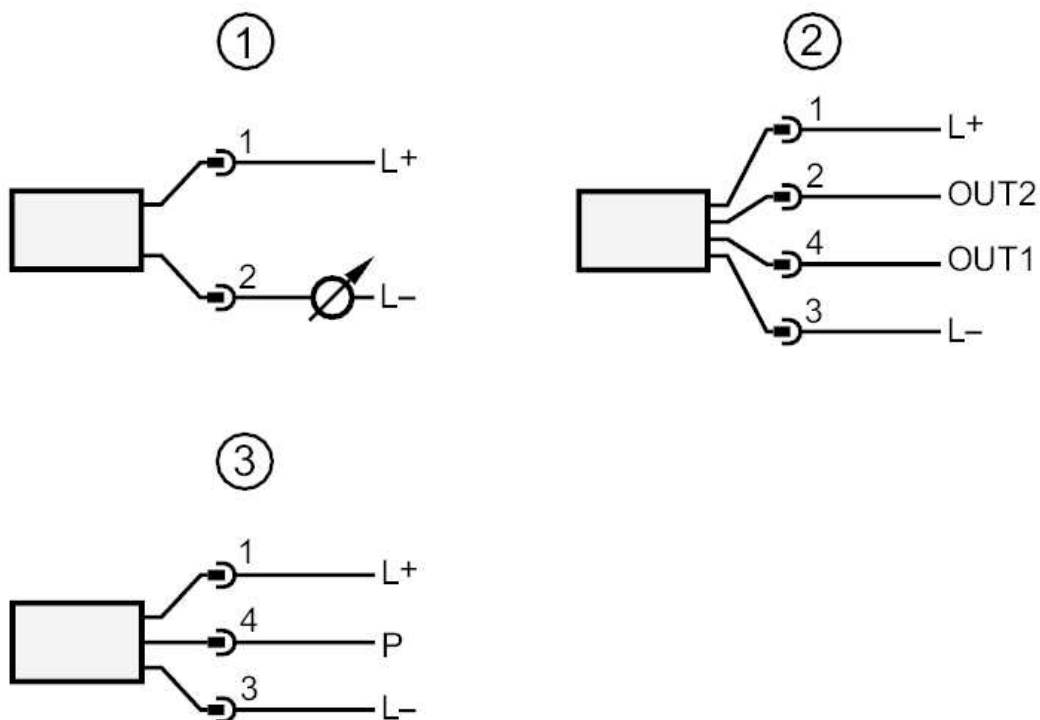
PI2815



Flush pressure sensor with display

PI-006-REA01-MFRKG/US/ IP

Connection



- 1 connection for 2-wire operation
- 2 connection for 3-wire operation :
- OUT1 Switching output
- OUT2 Switching output
- analog output
- 3 connection for IO-Link parameter setting (P = communication via IO-Link)