

PI2717

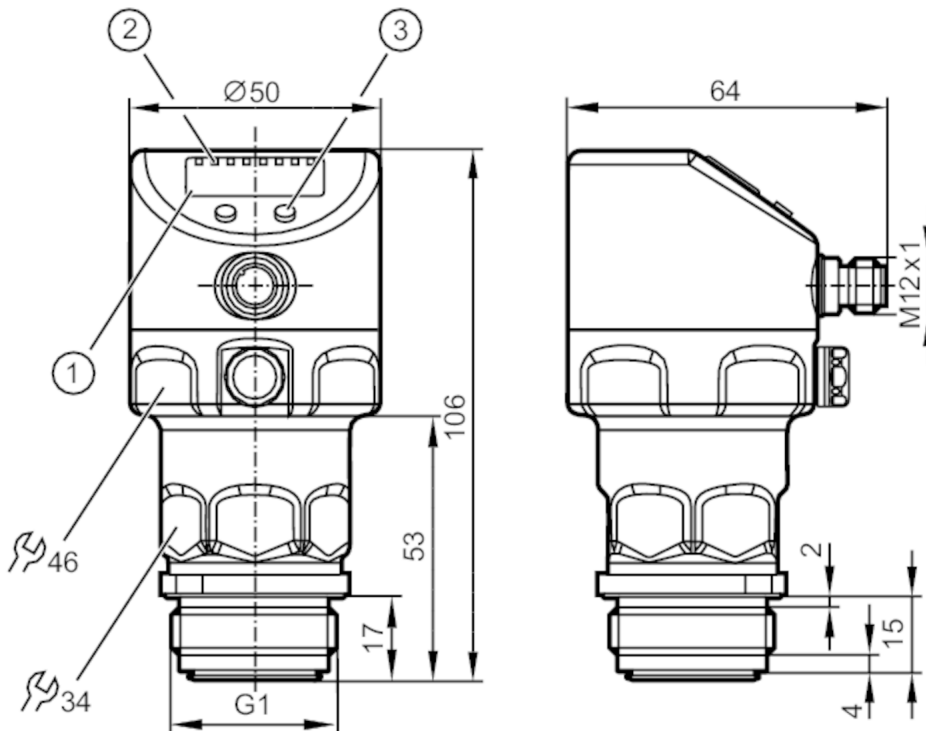


Flush pressure sensor with display

PI-1,6-REA01-MFRKG/US/ IP

Alternative articles: PI1717

When selecting an alternative article and accessories please note that technical data may differ!



- 1 alphanumeric display 4-digit
- 2 status LEDs
- 3 Programming button



Product characteristics

Number of inputs and outputs	Number of digital outputs: 2; Number of analog outputs: 1			
Measuring range	-0.1...1.6 bar	-100...1600 mbar	-1.46...23.2 psi	-10...160 kPa
Process connection	threaded connection G 1 external thread Aseptoflex Vario			

Application

System	gold-plated contacts		
Application	flush mountable for the food and beverage industry		
Media	viscous media and liquids with suspended particles; liquids and gases		
Medium temperature [°C]	-25...125; (145 max. 1h)		
Min. bursting pressure	40000 mbar	580 psi	4000 kPa
Pressure rating	15000 mbar	215 psi	1500 kPa
Vacuum resistance [mbar]	-1000		
Type of pressure	relative pressure		
No dead space	yes		
MAWP (for applications according to CRN) [bar]	15		

Electrical data

Min. insulation resistance [MΩ]	100; (500 V DC)
Protection class	III

PI2717



Flush pressure sensor with display

PI-1,6-REA01-MFRKG/US/ IP

Reverse polarity protection		yes
Integrated watchdog		yes
2-wire		
Operating voltage	[V]	20...32 DC
Current consumption	[mA]	3.6...21
Power-on delay time	[s]	1
3-wire		
Operating voltage	[V]	18...32 DC
Current consumption	[mA]	< 45
Power-on delay time	[s]	0.5

Inputs / outputs

Number of inputs and outputs	Number of digital outputs: 2; Number of analog outputs: 1
------------------------------	---

Outputs

Total number of outputs	2
Output signal	switching signal; analog signal; IO-Link; (configurable)
Electrical design	PNP/NPN
Number of digital outputs	2
Output function	normally open / closed; (configurable)
Number of analog outputs	1
Analog current output	[mA] 4...20, invertible; (scalable)
Short-circuit protection	yes
Type of short-circuit protection	yes (non-latching)
Overload protection	yes

2-wire	
Max. load	[Ω] 300

3-wire	
Max. voltage drop switching output DC	[V] 2
Permanent current rating of switching output DC	[mA] 250
Switching frequency DC	[Hz] 125
Max. load	[Ω] (U _b - 10 V) / 20 mA

Measuring/setting range

Measuring range	-0.1...1.6 bar	-100...1600 mbar	-1.46...23.2 psi	-10...160 kPa
Set point SP	-96...1600 mbar	-1.4...23.2 psi	-9.6...160 kPa	
Reset point rP	-100...1598 mbar	-1.44...23.16 psi	-10...159.8 kPa	
Analog start point	-100...1200 mbar	-1.46...17.42 psi	-10...120 kPa	
Analog end point	300...1600 mbar	4.34...23.2 psi	30...160 kPa	
In steps of	2 mbar	0.02 psi	0.2 kPa	
Factory setting		SP1 = 0.4 bar	rP1 = 0.368 bar	
		SP2 = 1.2 bar	rP2 = 1.168 bar	
		ASP = 0.0 bar	AEP = 1.6 bar	

Accuracy / deviations

Switch point accuracy	< ± 0,2; (Turn down 1:1)
-----------------------	--------------------------

PI2717



Flush pressure sensor with display

PI-1,6-REA01-MFRKG/US/ IP

	[% of the span]	
Repeatability	[% of the span]	$< \pm 0,1$; (with temperature fluctuations < 10 K; Turn down 1:1)
Characteristics deviation	[% of the span]	$< \pm 0,2$; (Turn down 1:1 , linearity, incl. hysteresis and repeatability , limit value setting to DIN EN IEC 62828-1)
Linearity deviation	[% of the span]	$< \pm 0,15$; (Turn down 1:1)
Hysteresis deviation	[% of the span]	$< \pm 0,15$; (Turn down 1:1)
Long-term stability	[% of the span]	$< \pm 0,1$; (Turn down 1:1; per year)
Temperature coefficient zero point	[% of the span / 10 K]	$< \pm 0,05$; (0...70 °C)
Temperature coefficient span	[% of the span / 10 K]	$< \pm 0,15$; (0...70 °C)

Reaction times

Damping process value dAP	[s]	0...30
Damping for the analog output dAA	[s]	0.01...99.99
2-wire		
Step response time analog output	[ms]	45
3-wire		
Min. response time of switching output (dAP)	[ms]	3
Step response time analog output	[ms]	7

Interfaces

Communication interface	IO-Link	
Transmission type	COM2 (38,4 kBaud)	
IO-Link revision	1.0	
Profiles	no profile	
SIO mode	yes	
Required master port class	A	
Process data analog	1	
Process data binary	2	
Min. process cycle time	[ms]	2.3
Supported DeviceIDs	Type of operation	DeviceID
	default	727

Operating conditions

Ambient temperature	[°C]	-25...80
Storage temperature	[°C]	-40...100
Protection		IP 67; IP 68; IP 69K

PI2717



Flush pressure sensor with display

PI-1,6-REA01-MFRKG/US/ IP

Tests / approvals		
EMC	EN 61000-4-2 ESD	4 kV CD / 8 kV AD
	EN 61000-4-3 HF radiated	10 V/m
	EN 61000-4-4 Burst	2 kV
	EN 61000-4-5 Surge	0,5/1 kV
	EN 61000-4-6 HF conducted	10 V
Shock resistance	DIN IEC 68-2-27	50 g (11 ms)
Vibration resistance	DIN IEC 68-2-6	20 g (10...2000 Hz)
MTTF [years]		154
Note on approval	Factory certificate available as download at www.factory-certificate.ifm	
UL approval	UL approval number	J018
	File number UL	E174189

Mechanical data		
Weight [g]		360
Material	stainless steel (1.4404 / 316L); FKM; PTFE; PBT; PEI; PFA	
Materials (wetted parts)	ceramics (99.9 % Al ₂ O ₃); stainless steel (1.4435 / 316L); surface characteristics: Ra < 0,4 / Rz 4; PTFE	
Min. pressure cycles		100 million
Process connection	threaded connection G 1 external thread Aseptoflex Vario	

Displays / operating elements		
Display	Display unit	LED, green
	Switching status	LED, yellow
	Function display	alphanumeric display, 4-digit
	Measured values	alphanumeric display, 4-digit
Display unit	mbar; kPa; psi; inH ₂ O; mWS; % of the span	

Remarks		
Pack quantity		1 pcs.

Electrical connection

Connector: 1 x M12; coding: A; Contacts: gold-plated



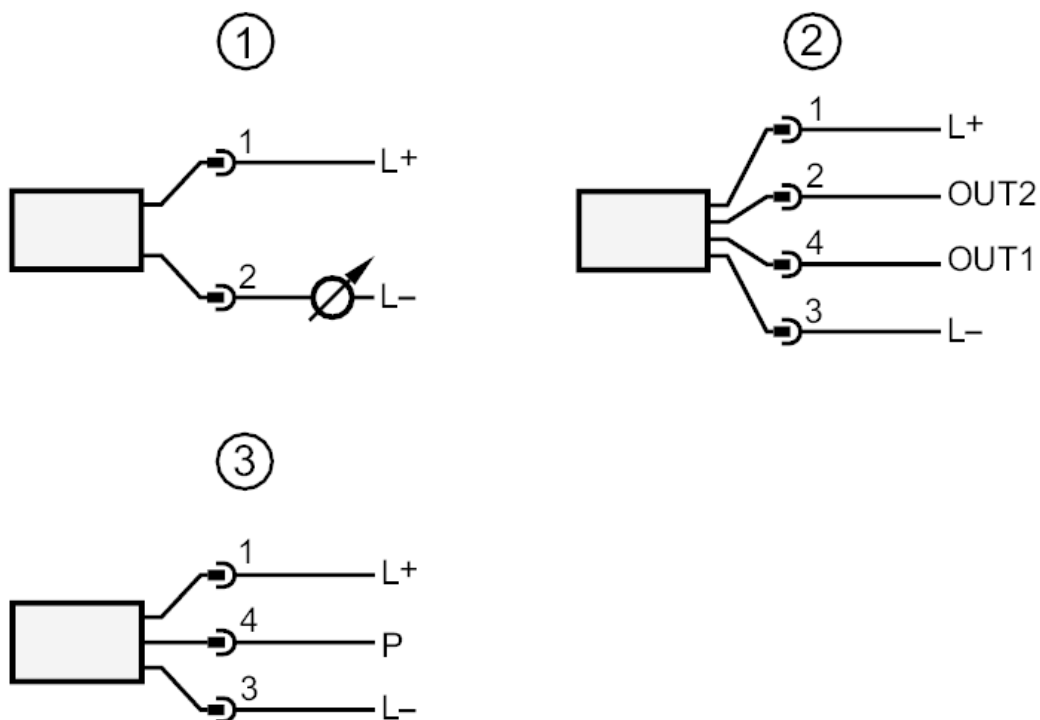
PI2717



Flush pressure sensor with display

PI-1,6-REA01-MFRKG/US/ IP

Connection



- 1 connection for 2-wire operation
- 2 connection for 3-wire operation :
- OUT1 Switching output
- OUT2 Switching output
- analog output
- 3 connection for IO-Link parameter setting (P = communication via IO-Link)