

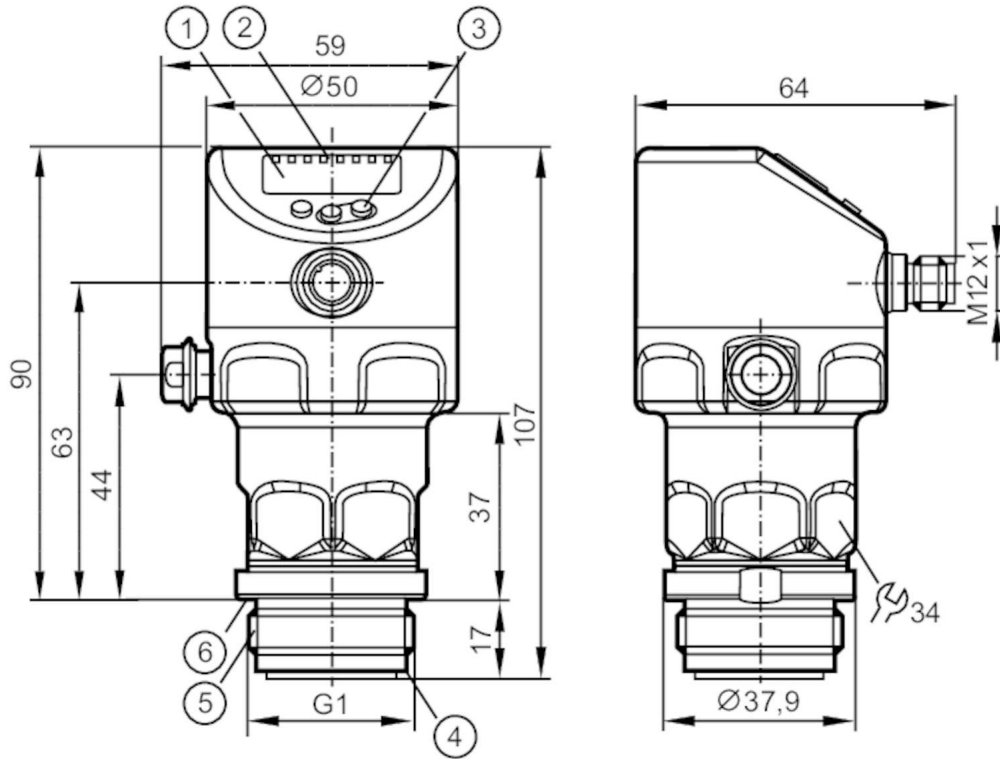
PI1703



Flush pressure sensor with display

PI-025-REA01-MFRKG/US/ IP

When selecting an alternative article and accessories please note that technical data may differ!



- 1 alphanumeric display 4-digit
- 2 status LEDs
- 3 Programming button
- 4 groove for sealing ring
- 5 external thread G1 Aseptoflex Vario
- 6 groove with sealing ring (DIN 3869-33)



Product characteristics

Number of inputs and outputs	Number of digital outputs: 2; Number of analog outputs: 1		
Measuring range	-1...25 bar	-14.5...362.5 psi	-0.1...2.5 MPa
Process connection	threaded connection G 1 external thread Aseptoflex Vario		

Application

System	gold-plated contacts		
Application	flush mountable for the food and beverage industry		
Media	viscous media and liquids with suspended particles; liquids and gases		
Medium temperature [°C]	-25...150		
Min. bursting pressure	350 bar	5075 psi	35 MPa
Pressure rating	100 bar	1450 psi	10 MPa
Vacuum resistance [mbar]	-1000		
Type of pressure	relative pressure; vacuum		
No dead space	yes		
MAWP (for applications according to CRN) [bar]	61		

PI1703



Flush pressure sensor with display

PI-025-REA01-MFRKG/US/ IP

Electrical data				
Min. insulation resistance	[MΩ]	100; (500 V DC)		
Protection class		III		
Reverse polarity protection		yes		
Integrated watchdog		yes		
2-wire				
Operating voltage	[V]	20...30 DC		
Current consumption	[mA]	3.5...21.5		
Power-on delay time	[s]	< 1		
3-wire				
Operating voltage	[V]	18...30 DC		
Current consumption	[mA]	5...45; (430 bei max. Laststrom)		
Power-on delay time	[s]	< 0.5		
Inputs / outputs				
Number of inputs and outputs		Number of digital outputs: 2; Number of analog outputs: 1		
Outputs				
Total number of outputs		2		
Output signal		switching signal; analog signal; IO-Link		
Electrical design		PNP/NPN		
Number of digital outputs		2		
Output function		normally open / closed; (configurable)		
Number of analog outputs		1		
Analog current output	[mA]	4...20, invertible; (scalable)		
Short-circuit protection		yes		
Type of short-circuit protection		yes (non-latching)		
Overload protection		yes		
2-wire				
Max. load	[Ω]	300		
3-wire				
Max. voltage drop switching output DC	[V]	2		
Permanent current rating of switching output DC	[mA]	100		
Switching frequency DC	[Hz]	125		
Max. load	[Ω]	(U _b - 10 V) / 21,5 mA; 650 Ω (U _b = 24 V)		
Measuring/setting range				
Measuring range		-1...25 bar	-14.5...362.5 psi	-0.1...2.5 MPa
Set point SP		-0.96...25 bar	-14...362.6 psi	-0.096...2.5 MPa
Reset point rP		-1...24.96 bar	-14.5...362.1 psi	-0.1...2.496 MPa
Analog start point		-1...20 bar	-14.5...290.1 psi	-0.1...2 MPa
Analog end point		4...25 bar	58...362.6 psi	0.4...2.5 MPa
Min. difference between SP and rP		0.04 bar	0.6 psi	0.004 MPa
In steps of		0.01 bar	0.1 psi	0.001 MPa

PI1703



Flush pressure sensor with display

PI-025-REA01-MFRKG/US/ IP

Factory setting	SP1 = 6.25 bar	rP1 = 5.75 bar
	SP2 = 18.75 bar	rP2 = 18.25 bar
	ASP = 0.00 bar	AEP = 25.00 bar
	dAP = 0.06 s	dAA = 0.06 s

Temperature monitoring		
Measuring range	-25...150 °C	-13...302 °F

Accuracy / deviations

Switch point accuracy [% of the span]	< ± 0,2; (DIN EN IEC 62828-1; Turn down 1:1)	
Repeatability [% of the span]	< ± 0,1; (with temperature fluctuations < 10 K; Turn down 1:1)	
Characteristics deviation [% of the span]	< ± 0,2; (DIN IEC EN 62828-1 incl. zero point and span error, non-linearity, hysteresis; Turn down 1:1)	
Linearity deviation [% of the span]	< ± 0,15; (Turn down 1:1)	
Hysteresis deviation [% of the span]	< ± 0,15; (Turn down 1:1)	
Long-term stability [% of the span]	< ± 0,1; (Turn down 1:1; per year)	
Total deviation over temperature range	Temperature range	total deviation
	-25...15 °C	Characteristics deviation ± 0,05 % of the span / 10 K
	15...80 °C	Characteristics deviation
	80...150 °C	Characteristics deviation ± 0,1 % of the span / 10 K
Notes on the accuracy / deviation	for further details see section Diagrams and graphs	

Temperature monitoring		
Accuracy [K]	± 2,5+ (0,08 x (Umgebungstemperatur - Mediumtemperatur))	
Repeatability [K]	± 0,2	
Resolution [K]	0.2	

Reaction times

Damping process value dAP [s]	0...99.99
Damping for the analog output dAA [s]	0...99.99

2-wire		
Step response time analog output [ms]	30	

3-wire		
Min. response time of switching output (dAP) [ms]	3	
Step response time analog output [ms]	7	

Temperature monitoring		
Dynamic response T05 / T09 [s]	< 35 / < 135; (DIN EN 60751 water ; > 0,9 m/s)	

Interfaces

Communication interface	IO-Link	
Transmission type	COM2 (38,4 kBaud)	

PI1703



Flush pressure sensor with display

PI-025-REA01-MFRKG/US/ IP

IO-Link revision	1.1										
SDCI standard	IEC 61131-9										
Profiles	Identification and Diagnosis (0x4000), Measurement Data Channel (0x800A)										
SIO mode	yes										
Required master port class	A										
Min. process cycle time [ms]	5.6										
IO-Link resolution pressure [bar]	0.001										
IO-Link resolution temperature [K]	0.2										
IO-Link process data (cyclical)	<table border="1"><thead><tr><th>Function</th><th>bit length</th></tr></thead><tbody><tr><td>pressure</td><td>32</td></tr><tr><td>temperature</td><td>32</td></tr><tr><td>device status</td><td>4</td></tr><tr><td>binary switching information</td><td>2</td></tr></tbody></table>	Function	bit length	pressure	32	temperature	32	device status	4	binary switching information	2
Function	bit length										
pressure	32										
temperature	32										
device status	4										
binary switching information	2										
IO-Link functions (acyclical)	application specific tag; internal temperature; operating hours counter; switching cycles counter; Pressure peak counter										
Supported DeviceIDs	<table border="1"><thead><tr><th>Type of operation</th><th>DeviceID</th></tr></thead><tbody><tr><td>default</td><td>1157</td></tr></tbody></table>	Type of operation	DeviceID	default	1157						
Type of operation	DeviceID										
default	1157										

Operating conditions	
Ambient temperature [°C]	-25...80
Storage temperature [°C]	-40...100
Protection	IP 67; IP 68; IP 69K

Tests / approvals	
EMC	DIN EN 61326-1
Shock resistance	DIN EN 60068-2-27 50 g (11 ms)
Vibration resistance	DIN EN 60068-2-6 20 g (10...2000 Hz)
MTTF [years]	214
Note on approval	Factory certificate available as download at www.factory-certificate.ifm
UL approval	UL approval number J035 File number UL E174189

Mechanical data	
Weight [g]	358.2
Material	stainless steel (1.4404 / 316L); FKM; PTFE; PBT; PEI; PFA
Materials (wetted parts)	ceramics (99.9 % Al ₂ O ₃); stainless steel (1.4435 / 316L); surface characteristics: Ra < 0,4 / Rz 4; PTFE
Min. pressure cycles	100 million
Tightening torque [Nm]	35
Process connection	threaded connection G 1 external thread Aseptoflex Vario

Displays / operating elements		
Display	Display unit	LED, green
	Switching status	LED, yellow
	Function display	alphanumeric display, 4-digit
	Measured values	alphanumeric display, 4-digit
Display unit	bar; psi; MPa	

Remarks	
Pack quantity	1 pcs.

PI1703

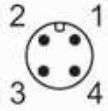


Flush pressure sensor with display

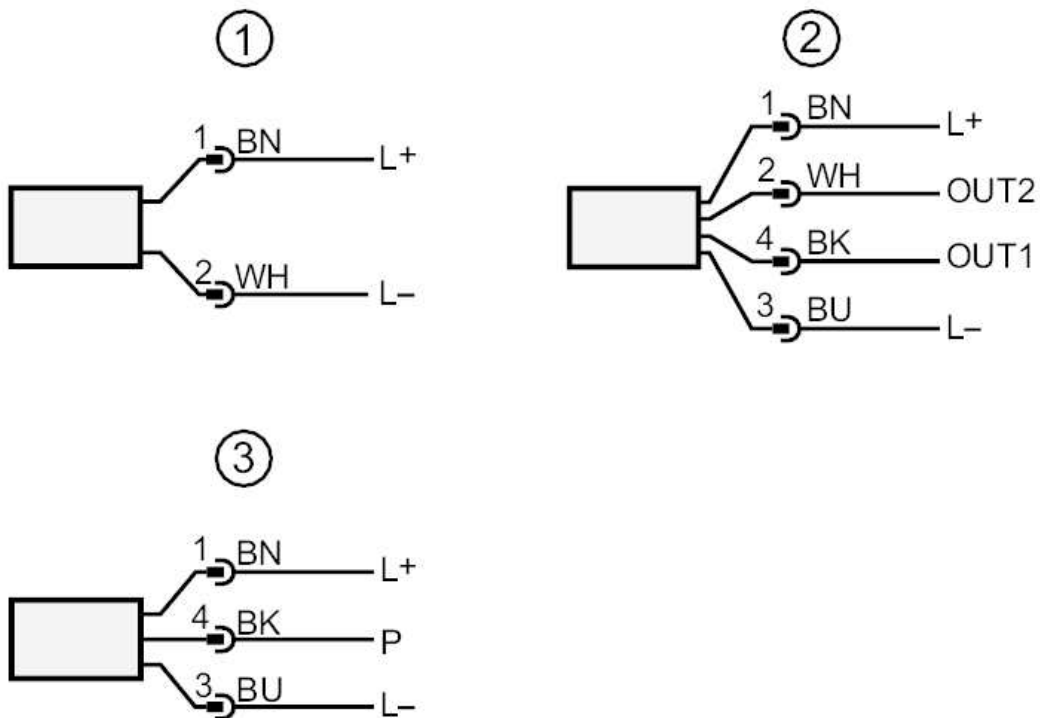
PI-025-REA01-MFRKG/US/ IP

Electrical connection

Connector: 1 x M12; coding: A; Contacts: gold-plated



Connection



- 1 connection for 2-wire operation
- 2 connection for 3-wire operation
- OUT1 Switching output / IO-Link
- OUT2 Switching output / analog output
- 3 connection for IO-Link parameter setting (P = communication via IO-Link)

Colors to DIN EN 60947-5-2
Core colors

- BK = black
- BN = brown
- BU = blue
- WH = white

PI1703

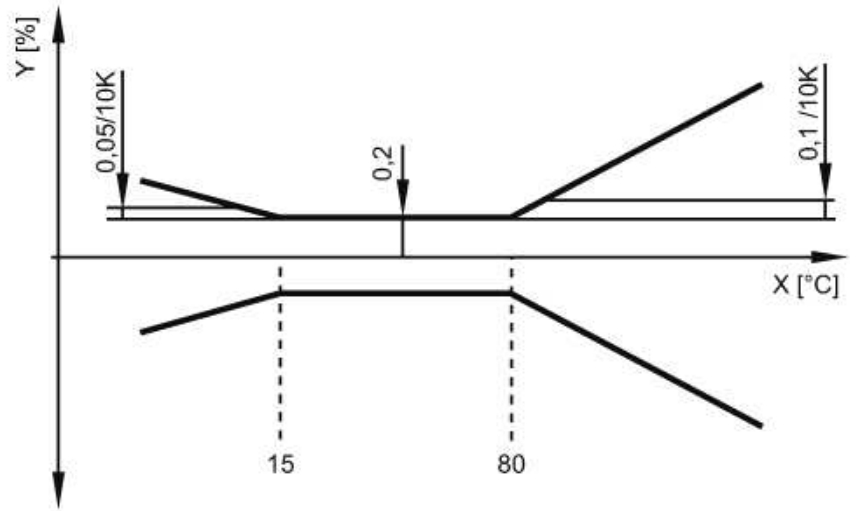


Flush pressure sensor with display

PI-025-REA01-MFRKG/US/ IP

Diagrams and graphs

ambient temperature influence on the accuracy



X temperature
Y total deviation