

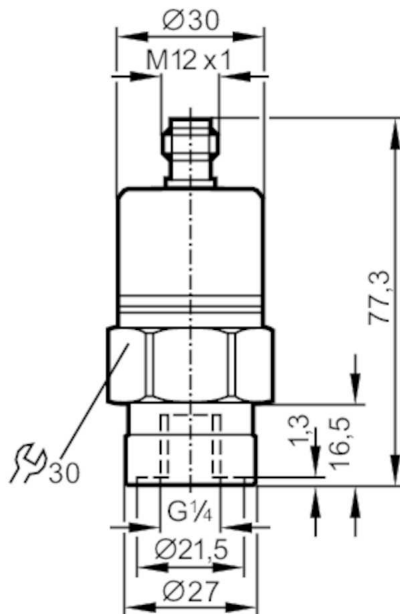
# PA9060



## Pressure transmitter with ceramic measuring cell

PA-600-SBR14-B-DVG/US/V

When selecting an alternative article and accessories please note that technical data may differ!



### Product characteristics

Number of inputs and outputs	Number of analog outputs: 1		
Measuring range	0...600 bar	0...8700 psi	0...60 MPa
Process connection	threaded connection G 1/4 Internal thread		

### Application

System	gold-plated contacts		
Application	for industrial applications		
Media	liquids and gases		
Conditionally suitable for	use in gases at pressures > 25 bar only on request		
Medium temperature [°C]	-25...90; (on request: -40...90 °C)		
Min. bursting pressure	1200 bar	17400 psi	120 MPa
Pressure rating	800 bar	11600 psi	80 MPa
Type of pressure	relative pressure		

### Electrical data

Operating voltage [V]	16...32 DC		
Current consumption [mA]	< 18		
Min. insulation resistance [MΩ]	100; (500 V DC)		
Protection class	III		
Reverse polarity protection	yes		

### Inputs / outputs

Number of inputs and outputs	Number of analog outputs: 1		
------------------------------	-----------------------------	--	--

### Outputs

Total number of outputs	1		
-------------------------	---	--	--

# PA9060



## Pressure transmitter with ceramic measuring cell

PA-600-SBR14-B-DVG/US/V

Output signal	analog signal		
Number of analog outputs	1		
Analog voltage output [V]	0...10		
Min. load resistance [ $\Omega$ ]	2000		
Overload protection	yes		

### Measuring/setting range

Measuring range	0...600 bar	0...8700 psi	0...60 MPa
-----------------	-------------	--------------	------------

### Accuracy / deviations

Repeatability [% of the span]	< 0,1; (with temperature fluctuations < 10 K)		
Characteristics deviation [% of the span]	< $\pm$ 0,25 (BFSL) / < $\pm$ 0,5 (LS); (BFSL = Best Fit Straight Line; LS = limit value setting)		
Hysteresis deviation [% of the span]	$\pm$ 1		
Long-term stability [% of the span]	< $\pm$ 0,05; (per 6 months)		
Temperature coefficient zero point [% of the span / 10 K]	0,1; (0...80 °C)		
Temperature coefficient span [% of the span / 10 K]	0,2; (0...80 °C)		

### Reaction times

Step response time analog output [ms]	3		
---------------------------------------	---	--	--

### Operating conditions

Ambient temperature [°C]	-25...80		
Storage temperature [°C]	-40...100		
Protection	IP 68; IP 69K		

### Tests / approvals

EMC	EN 61000-4-2 ESD	4 kV CD / 8 kV AD
	EN 61000-4-3 HF radiated	30 V/m
	EN 61000-4-4 Burst	2 kV
	EN 61000-4-6 HF conducted	10 V
	radiation of interference	according to the automotive directive 2004/104/EC
	CISPR 25	
	noise immunity	according to the automotive directive 2004/104/EC
	ISO 11452-2 HF radiated	100 V/m
	ISO 7637-2 pulse	severity level 4
	Shock resistance	DIN EN 60068-2-27
DIN EN 61373		Category 3
Vibration resistance	DIN EN 60068-2-6	20 g (10...2000 Hz)
	DIN EN 61373	Category 2
MTTF [years]	478	
Pressure equipment directive	sound engineering practice; can be used for group 2 fluids; group 1 fluids on request	
Railway applications	DIN EN 50155 / IEC 60571	Klasse T3, C1, S1

# PA9060



## Pressure transmitter with ceramic measuring cell

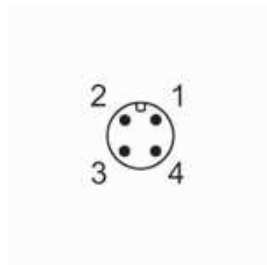
PA-600-SBR14-B-DVG/US/V

Mechanical data	
Weight [g]	232
Material	stainless steel (1.4404 / 316L); FKM; PA; EPDM/X
Materials (wetted parts)	stainless steel (1.4404 / 316L); ceramics; FKM
Min. pressure cycles	100 million
Process connection	threaded connection G 1/4 Internal thread
Restrictor element integrated	yes

Remarks	
Pack quantity	1 pcs.

### Electrical connection

Connector: 1 x M12; coding: A; Contacts: gold-plated



### Connection

