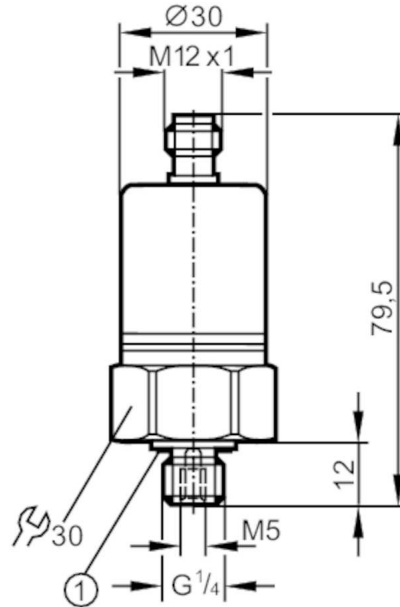


PA3589



Pressure transmitter with ceramic measuring cell

PA-,10BRBG14-A-ZVG/US/ IV



1 sealing



Product characteristics

Number of inputs and outputs	Number of analog outputs: 1		
Measuring range	0...0.1 bar	0...100 mbar	0...40.16 inH2O
Process connection	threaded connection G 1/4 external thread (DIN EN ISO 1179-2); Internal thread:M5		

Application

System	gold-plated contacts		
Application	for industrial applications		
Media	liquids and gases		
Medium temperature [°C]	-25...90; (on request: -40...90 °C)		
Min. bursting pressure	30000 mbar	12030 inH2O	3000 kPa
Pressure rating	4000 mbar	1606 inH2O	400 kPa
Type of pressure	relative pressure		

Electrical data

Operating voltage [V]	9.6...32 DC		
Min. insulation resistance [MΩ]	100; (500 V DC)		
Protection class	III		
Reverse polarity protection	yes		

Inputs / outputs

Number of inputs and outputs	Number of analog outputs: 1		
------------------------------	-----------------------------	--	--

Outputs

Total number of outputs	1		
Output signal	analog signal		
Number of analog outputs	1		
Analog current output [mA]	4...20		

PA3589



Pressure transmitter with ceramic measuring cell

PA-,10BRBG14-A-ZVG/US/IV

Max. load	[Ω]	720; (U _b = 24 V; (U _b - 9,6 V) / 20 mA)			
Overload protection		yes			
Measuring/setting range					
Measuring range		0...0.1 bar	0...100 mbar	0...40.16 inH ₂ O	0...10 kPa
Accuracy / deviations					
Repeatability	[% of the span]	< 0,2; (with temperature fluctuations < 10 K)			
Characteristics deviation	[% of the span]	< ± 0,5 (BFSL) / < ± 1 (LS); (BFSL = Best Fit Straight Line; LS = limit value setting)			
Long-term stability	[% of the span]	< ± 0,1; (per 6 months)			
Temperature coefficient zero point	[% of the span / 10 K]	< ± 0,5; (0...80 °C)			
Temperature coefficient span	[% of the span / 10 K]	< ± 0,5; (0...80 °C)			
Reaction times					
Step response time analog output	[ms]	3			
Operating conditions					
Ambient temperature	[°C]	-25...80			
Storage temperature	[°C]	-40...100			
Protection		IP 68; (7 days / 1 m water depth / 0.1 bar)			
Tests / approvals					
EMC	EN 61000-4-2 ESD	4 kV CD / 8 kV AD			
	EN 61000-4-3 HF radiated	30 V/m			
	EN 61000-4-4 Burst	2 kV			
	EN 61000-4-6 HF conducted	10 V			
	radiation of interference	according to the automotive directive 2004/104/EC			
	CISPR 25				
	noise immunity	according to the automotive directive 2004/104/EC			
	ISO 11452-2 HF radiated	100 V/m			
Shock resistance	ISO 7637-2 pulse	severity level 4			
	DIN EN 60068-2-27	50 g (11 ms)			
Vibration resistance	DIN EN 61373	Category 3			
	DIN EN 60068-2-6	20 g (10...2000 Hz)			
MTTF	[years]	555			
Pressure equipment directive		sound engineering practice; can be used for group 2 fluids; group 1 fluids on request			
Railway applications		DIN EN 50155 / IEC 60571	Klasse T3, C1, S1		
Mechanical data					
Weight	[g]	215.5			
Material		stainless steel (1.4404 / 316L); FKM; PA; EPDM/X			
Materials (wetted parts)		stainless steel (1.4305 / 303); ceramics; sealing: FKM			
Min. pressure cycles		100 million			

PA3589



Pressure transmitter with ceramic measuring cell

PA-,10BRBG14-A-ZVG/US/ IV

Tightening torque	[Nm]	25...35; (recommended tightening torque; Depends on lubrication, seal and pressure rating)
Process connection		threaded connection G 1/4 external thread (DIN EN ISO 1179-2); Internal thread:M5
Restrictor element integrated		no (can be retrofitted)

Remarks

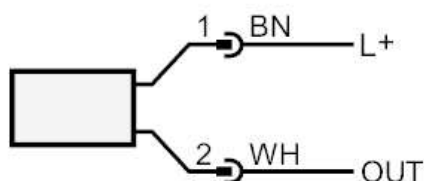
Pack quantity		1 pcs.
---------------	--	--------

Electrical connection

Connector: 1 x M12; coding: A; Contacts: gold-plated



Connection



OUT analog output
 Colors to DIN EN 60947-5-2
 Core colors :
BN = brown
WH = white