

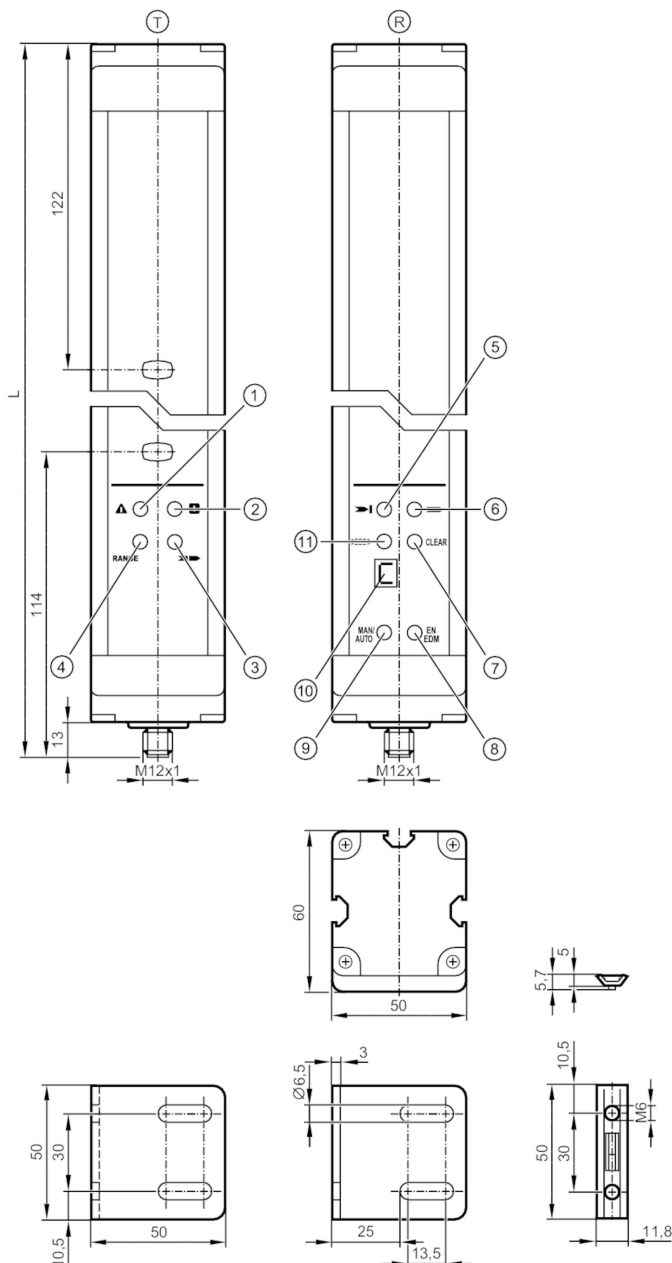
# OY951S



## Safety light grids

OYA0510-02-4-60-P-1

For 8-wire cordsets the core colors are not standardized.  
Please note the wiring of the sensor and the cordsets (see data sheet).



- T transmitter
- R receiver
- 1 LED red
- 2 LED green
- 3 LED yellow
- 4 LED orange
- 5 LED red
- 6 LED green
- 7 LED yellow
- 8 LED yellow
- 9 LED yellow
- 10 display
- 11 LED orange





## Safety light grids

OYA0510-02-4-60-P-1

Product characteristics		
Type of light		Infrared light
Electrical design		PNP
Protection		IP 65
Application		
Protective function		Access prevention body protection
Electrical data		
Operating voltage tolerance	[%]	20
Operating voltage	[V]	24 DC
Protection class		III
Reverse polarity protection		yes
Power-on delay time	[s]	< 10
Type of light		Infrared light
Wave length	[nm]	950
Receiver		
Current consumption	[mA]	250
Transmitter		
Current consumption	[mA]	125
Outputs		
Electrical design		PNP
Number of OSSD outputs		2
Max. current load per OSSD output	[mA]	500; (24 V)
Short-circuit protection		yes
Monitoring range		
Protected area height	[mm]	510
Number of beams		2
Protection area width (low light intensity)	[m]	8...30
Protection area width (high light intensity)	[m]	18...60
Reaction times		
Response time	[ms]	7
Operating conditions		
Applications		Class C to EN 60654-1 weatherproof application
Ambient temperature	[°C]	-10...55
Max. relative air humidity	[%]	95
Protection		IP 65
Tests / approvals		
EMC	IEC 61496-1	
Shock resistance	IEC 61496-1	
Vibration resistance	IEC 61496-1	
Safety classification		
ESPE type (IEC 61496-1)		4

# OY951S



## Safety light grids

OYA0510-02-4-60-P-1

Complies with the requirements		ISO 13849-1: 2015 Category 4, PL e
		IEC 61508 SIL 3
		IEC 62061 SIL 3
Mission time TM	[h]	175200
PFH	[1/h]	7,5E-09

### Mechanical data

Weight	[g]	5060
Dimensions	[mm]	736 x 50 x 60
Material		housing: aluminum; front lens: PC
Length L	[mm]	736

### Displays / operating elements

Display	transmitter	4 x LED
	receiver	6 x LED
	receiver	LC display

### Accessories

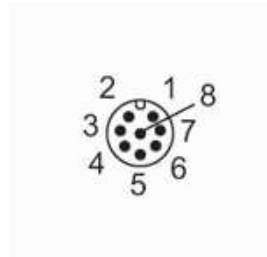
Items supplied	Assembly angle: 4
	Slot nuts: 4

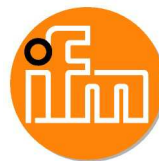
### Remarks

Pack quantity	1 pcs.
---------------	--------

### Electrical connection - receiver

Connector: 1 x M12; coding: A; Maximum cable length: 100 m; for wire cross-section 1 mm<sup>2</sup>

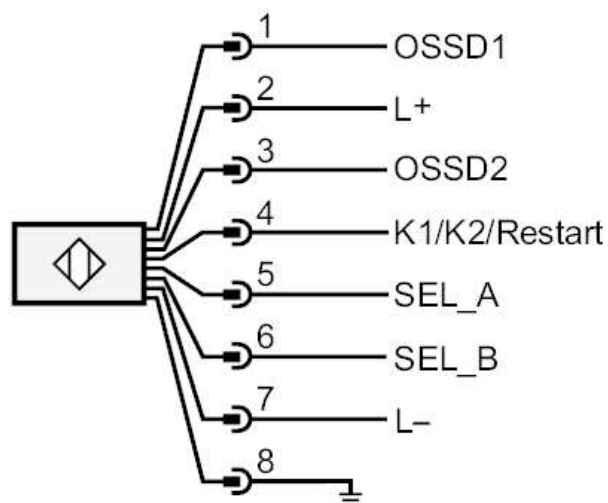




## Safety light grids

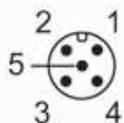
OYA0510-02-4-60-P-1

### Connection



### Electrical connection - transmitter

Connector: 1 x M12; coding: A



### Connection

