

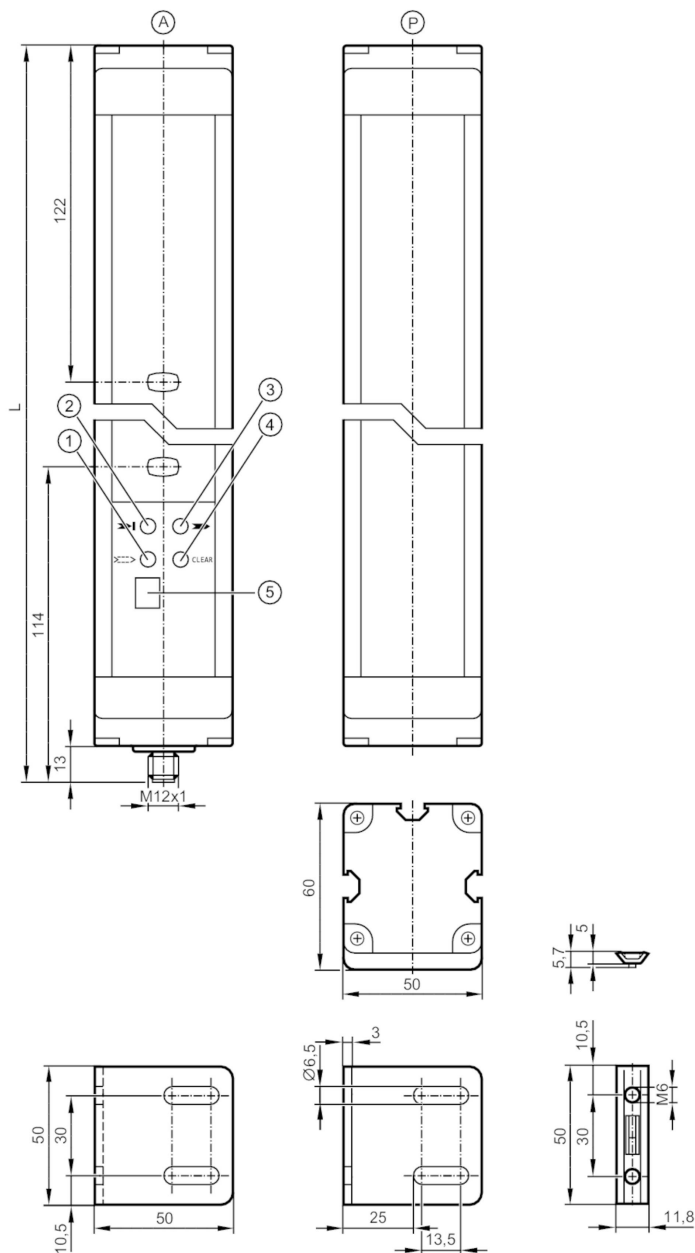
OY903S



Safety light grids

OYD0910-04-4-06-P-1

For 8-wire cordsets the core colors are not standardized.
Please note the wiring of the sensor and the cordsets (see data sheet).



- A active element
- P passive element
- 1 LED orange
- 2 LED red
- 3 LED green
- 4 LED yellow
- 5 display



Product characteristics

Type of light	Infrared light
Electrical design	PNP

OY903S



Safety light grids

OYD0910-04-4-06-P-1

Protection	IP 65
Application	
Protective function	Access prevention body protection
Electrical data	
Operating voltage tolerance [%]	20
Operating voltage [V]	24 DC
Current consumption [mA]	250
Protection class	III
Reverse polarity protection	yes
Power-on delay time [s]	< 10
Type of light	Infrared light
Wave length [nm]	950
Outputs	
Electrical design	PNP
Number of OSSD outputs	2
Max. current load per OSSD output [mA]	500
Short-circuit protection	yes
Monitoring range	
Protected area height [mm]	910
Number of beams	4
Protection area width (low light intensity) [m]	0...6
Protection area width (high light intensity) [m]	0...6
Active/passive system	yes
Reaction times	
Response time [ms]	10.5
Operating conditions	
Applications	Class C to EN 60654-1 weatherproof application
Ambient temperature [°C]	-10...55
Max. relative air humidity [%]	95
Protection	IP 65
Tests / approvals	
EMC	IEC 61496-1
Shock resistance	IEC 61496-1
Vibration resistance	IEC 61496-1
Safety classification	
ESPE type (IEC 61496-1)	4
Complies with the requirements	ISO 13849-1: 2015 Category 4, PL e IEC 61508 SIL 3 IEC 62061 SIL 3
Mission time TM [h]	175200
PFH [1/h]	5,0E-09

OY903S



Safety light grids

OYD0910-04-4-06-P-1

Mechanical data		
Weight	[g]	9200
Dimensions	[mm]	1136 x 50 x 60
Material		housing: aluminum; front lens: PC
Length L	[mm]	1136

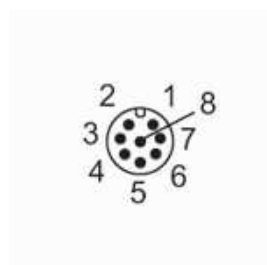
Displays / operating elements		
Display	transmitter	4 x LED
	transmitter	LC display

Accessories		
Items supplied		Assembly angle: 6
		Slot nuts: 6

Remarks		
Pack quantity		1 pcs.

Electrical connection

Connector: 1 x M12; coding: A; Maximum cable length: 100 m; for wire cross-section 1 mm²



Connection

