

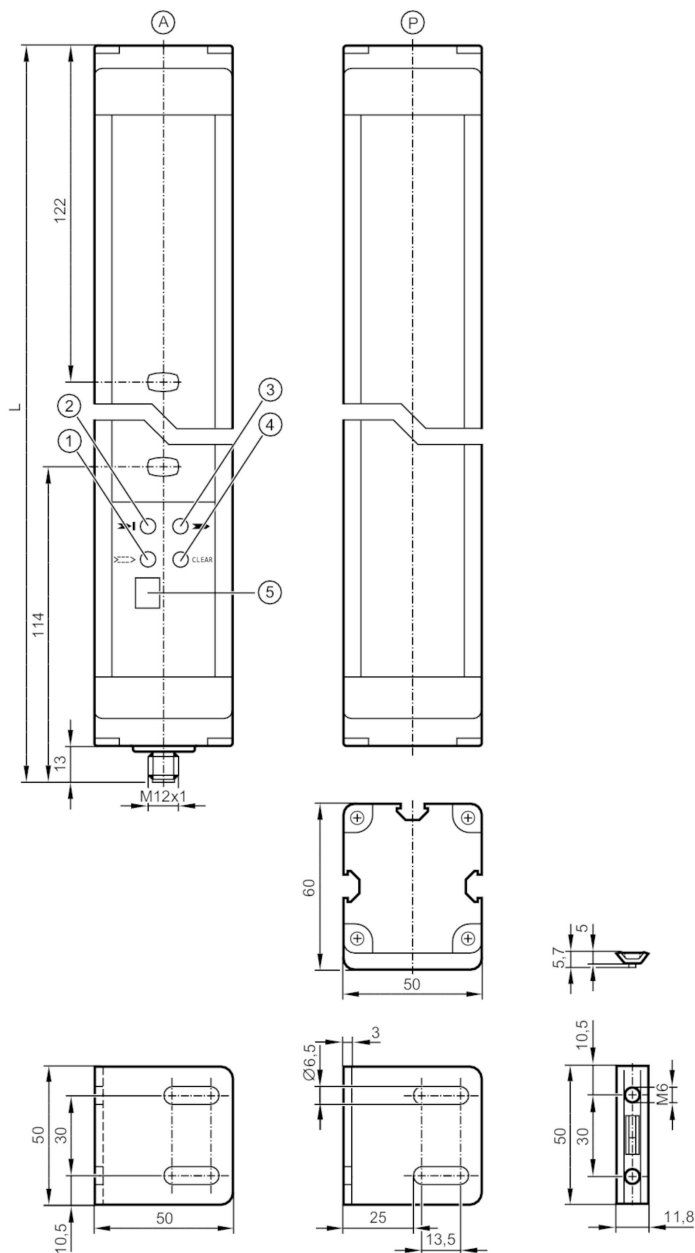
# OY902S



## Safety light grids

OYD0810-03-4-06-P-1

For 8-wire cordsets the core colors are not standardized.  
Please note the wiring of the sensor and the cordsets (see data sheet).



- A active element
- P passive element
- 1 LED orange
- 2 LED red
- 3 LED green
- 4 LED yellow
- 5 display



### Product characteristics

Type of light

Infrared light

Electrical design

PNP

# OY902S



## Safety light grids

OYD0810-03-4-06-P-1

Protection	IP 65
<b>Application</b>	
Protective function	Access prevention body protection
<b>Electrical data</b>	
Operating voltage tolerance [%]	20
Operating voltage [V]	24 DC
Current consumption [mA]	250
Protection class	III
Reverse polarity protection	yes
Power-on delay time [s]	< 10
Type of light	Infrared light
Wave length [nm]	950
<b>Outputs</b>	
Electrical design	PNP
Number of OSSD outputs	2
Max. current load per OSSD output [mA]	500; (24 V)
Short-circuit protection	yes
<b>Monitoring range</b>	
Protected area height [mm]	810
Number of beams	3
Protection area width (low light intensity) [m]	0...6
Protection area width (high light intensity) [m]	0...6
Active/passive system	yes
<b>Reaction times</b>	
Response time [ms]	10.5
<b>Operating conditions</b>	
Applications	Class C to EN 60654-1 weatherproof application
Ambient temperature [°C]	-10...55
Max. relative air humidity [%]	95
Protection	IP 65
<b>Tests / approvals</b>	
EMC	IEC 61496-1
Shock resistance	IEC 61496-1
Vibration resistance	IEC 61496-1
<b>Safety classification</b>	
ESPE type (IEC 61496-1)	4
Complies with the requirements	ISO 13849-1: 2015 Category 4, PL e IEC 61508 SIL 3 IEC 62061 SIL 3
Mission time TM [h]	175200
PFH [1/h]	4,9E-09

# OY902S



## Safety light grids

OYD0810-03-4-06-P-1

Mechanical data		
Weight	[g]	7290
Dimensions	[mm]	1036 x 50 x 60
Material		housing: aluminum; front lens: PC
Length L	[mm]	1036

Displays / operating elements		
Display	transmitter	4 x LED
	transmitter	LC display

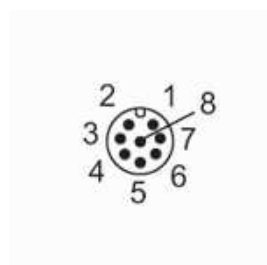
Accessories		
Items supplied		Assembly angle: 6
		Slot nuts: 6

Remarks		
Pack quantity		1 pcs.

### Electrical connection

Connector: 1 x M12; coding: A; Maximum cable length: 100 m; for wire cross-section 1 mm<sup>2</sup>



### Connection

