

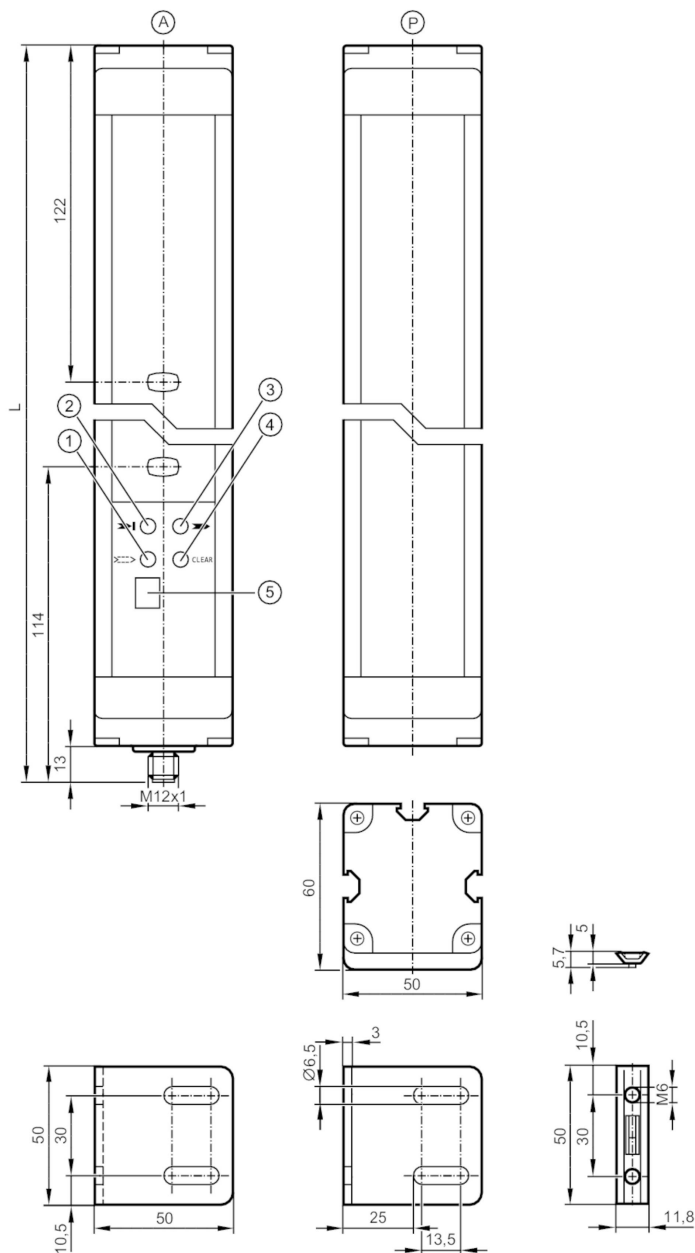
# OY901S



## Safety light grids

OYD0510-02-4-06-P-1

For 8-wire cordsets the core colors are not standardized.  
Please note the wiring of the sensor and the cordsets (see data sheet).



- A active element
- P passive element
- 1 LED orange
- 2 LED red
- 3 LED green
- 4 LED yellow
- 5 display



### Product characteristics

Type of light	Infrared light
Electrical design	PNP

# OY901S



## Safety light grids

OYD0510-02-4-06-P-1

Protection		IP 65
<b>Application</b>		
Protective function		Access prevention body protection
<b>Electrical data</b>		
Operating voltage tolerance [%]		20
Operating voltage [V]		24 DC
Current consumption [mA]		250
Protection class		III
Reverse polarity protection		yes
Power-on delay time [s]		< 10
Type of light		Infrared light
Wave length [nm]		950
<b>Outputs</b>		
Electrical design		PNP
Number of OSSD outputs		2
Max. current load per OSSD output [mA]		500; (24 V)
Short-circuit protection		yes
<b>Monitoring range</b>		
Protected area height [mm]		510
Number of beams		2
Protection area width (low light intensity) [m]		0...6
Protection area width (high light intensity) [m]		0...6
Active/passive system		yes
<b>Reaction times</b>		
Response time [ms]		10
<b>Operating conditions</b>		
Applications		Class C to EN 60654-1 weatherproof application
Ambient temperature [°C]		-10...55
Max. relative air humidity [%]		95
Protection		IP 65
<b>Tests / approvals</b>		
EMC	IEC 61496-1	
Shock resistance	IEC 61496-1	
Vibration resistance	IEC 61496-1	
<b>Safety classification</b>		
ESPE type (IEC 61496-1)		4
Complies with the requirements		ISO 13849-1: 2015 Category 4, PL e IEC 61508 SIL 3 IEC 62061 SIL 3
Mission time TM [h]		175200
PFH [1/h]		4,8E-09

# OY901S



## Safety light grids

OYD0510-02-4-06-P-1

Mechanical data		
Weight	[g]	5170
Dimensions	[mm]	736 x 50 x 60
Material		housing: aluminum; front lens: PC
Length L	[mm]	736

Displays / operating elements		
Display	transmitter	4 x LED
	transmitter	LC display

Accessories		
Items supplied		Assembly angle: 4
		Slot nuts: 4

Remarks		
Pack quantity		1 pcs.

### Electrical connection

Connector: 1 x M12; coding: A; Maximum cable length: 100 m; for wire cross-section 1 mm<sup>2</sup>



### Connection

