

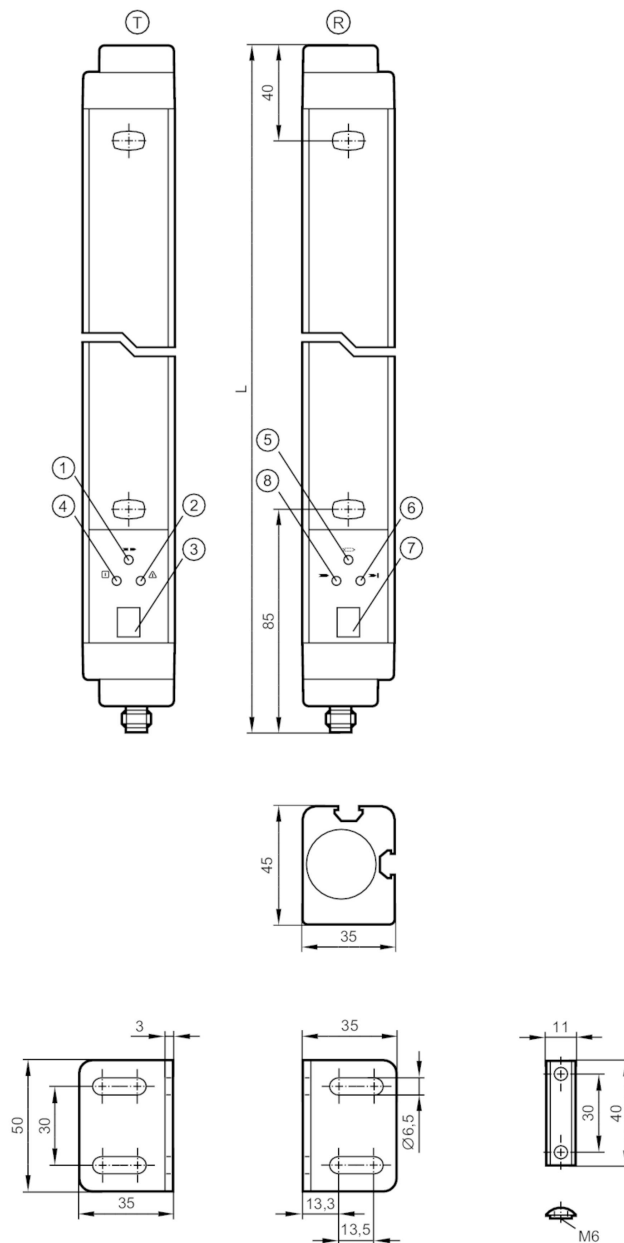
# OY804S



## Safety light curtain

OYA0610-14-4-05-P-1-B

For 8-wire cordsets the core colors are not standardized.  
Please note the wiring of the sensor and the cordsets (see data sheet).



- T transmitter
- R receiver
- 1 LED yellow
- 2 LED red
- 3 7-segment LED display
- 4 LED green
- 5 LED yellow
- 6 LED red
- 7 7-segment LCD display
- 8 LED green



### Product characteristics

Type of light

Infrared light

# OY804S

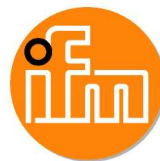


## Safety light curtain

OYA0610-14-4-05-P-1-B

|  |             |  |
|--|-------------|--|
| Electrical design                                |             | PNP  |
| Protection                                       |             | IP 65  |
| <b>Application</b>                               |             |  |
| Protective function                              |             | Access prevention finger protection            |
| <b>Electrical data</b>                           |             |  |
| Operating voltage tolerance [%]                  |             | 20   |
| Operating voltage [V]                            |             | 24 DC  |
| Protection class                                 |             | III  |
| Reverse polarity protection                      |             | yes  |
| Power-on delay time [s]                          |             | < 18   |
| Type of light                                    |             | Infrared light                                 |
| Wave length [nm]                                 |             | 950  |
| <b>Receiver</b>                                  |             |  |
| Current consumption [mA]                         |             | 125  |
| <b>Transmitter</b>                               |             |  |
| Current consumption [mA]                         |             | 83   |
| <b>Outputs</b>                                   |             |  |
| Electrical design                                |             | PNP  |
| Number of OSSD outputs                           |             | 2  |
| Max. current load per OSSD output [mA]           |             | 500; (24 V)                                    |
| Short-circuit protection                         |             | yes  |
| <b>Monitoring range</b>                          |             |  |
| Protected area height [mm]                       |             | 610  |
| Resolution (detection capacity d) [mm]           |             | 14   |
| Protection area width (low light intensity) [m]  |             | 0...3  |
| Protection area width (high light intensity) [m] |             | 0...5  |
| Floating blanking                                |             | yes  |
| <b>Reaction times</b>                            |             |  |
| Response time [ms]                               |             | 11.5   |
| <b>Operating conditions</b>                      |             |  |
| Applications                                     |             | Class C to EN 60654-1 weatherproof application |
| Ambient temperature [°C]                         |             | 0...55   |
| Max. relative air humidity [%]                   |             | 95   |
| Protection                                       |             | IP 65  |
| <b>Tests / approvals</b>                         |             |  |
| EMC  | IEC 61496-1 |  |
| Shock resistance                                 | IEC 61496-1 |  |
| Vibration resistance                             | IEC 61496-1 |  |
| <b>Safety classification</b>                     |             |  |
| ESPE type (IEC 61496-1)                          |             | 4  |

# OY804S



## Safety light curtain

OYA0610-14-4-05-P-1-B

|                                |       |                                    |
|--------------------------------|-------|------------------------------------|
| Complies with the requirements |       | ISO 13849-1: 2015 Category 4, PL e |
|                                |       | IEC 61508 SIL 3                    |
|                                |       | IEC 62061 SIL 3                    |
| Mission time TM                | [h]   | 175200                             |
| PFH                            | [1/h] | 1,5E-08                            |

| Mechanical data |      |                                   |
|-----------------|------|-----------------------------------|
| Weight          | [g]  | 3514                              |
| Dimensions      | [mm] | 711 x 35 x 45                     |
| Material        |      | housing: aluminum; front lens: PC |
| Length L        | [mm] | 711                               |

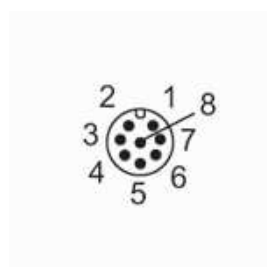
| Displays / operating elements |             |                       |
|-------------------------------|-------------|-----------------------|
| Display                       | transmitter | 3 x LED               |
|                               | transmitter | 7-segment LCD display |
|                               | receiver    | 3 x LED               |
|                               | receiver    | 7-segment LCD display |

| Accessories    |                   |
|----------------|-------------------|
| Items supplied | Assembly angle: 4 |
|                | Slot nuts: 4      |
|                | screws            |

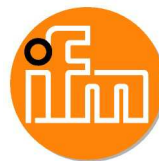
| Remarks       |        |
|---------------|--------|
| Pack quantity | 1 pcs. |

### Electrical connection - receiver

Connector: 1 x M12; coding: A; Maximum cable length: 100 m; for wire cross-section 0.34 mm<sup>2</sup>



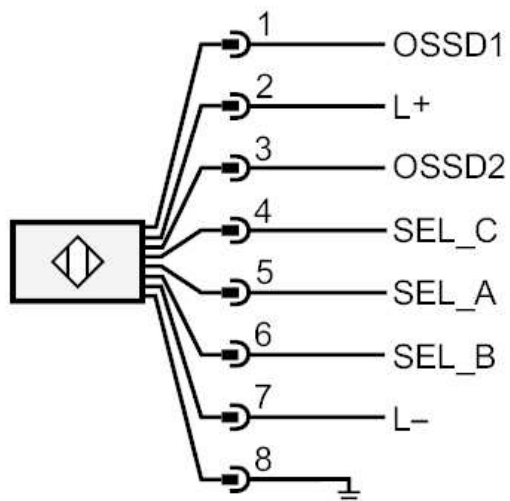
# OY804S



## Safety light curtain

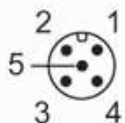
OYA0610-14-4-05-P-1-B

### Connection



### Electrical connection - transmitter

Connector: 1 x M12; coding: A



### Connection

