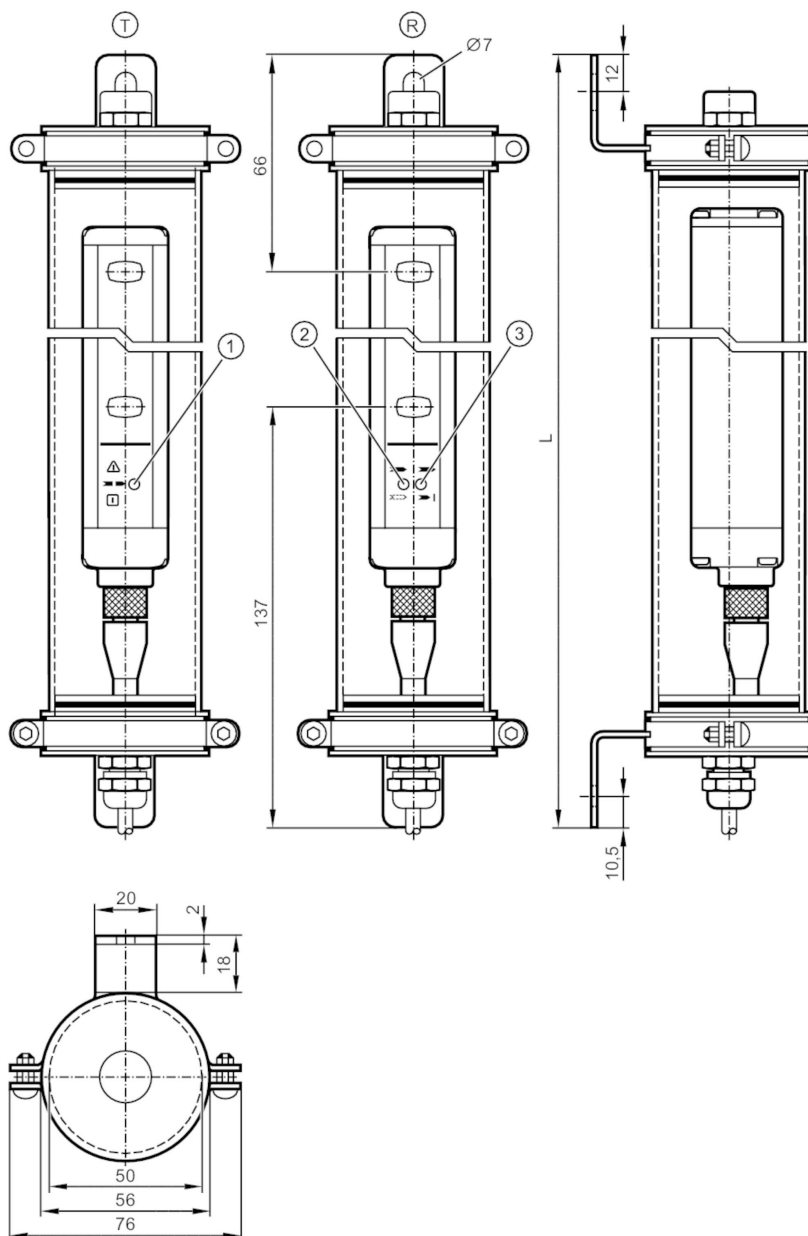


OY405S



Safety light curtain

OYA0760-14-4-05-P-1-A



- T transmitter
- R receiver
- 1 LED three-color red / green / orange
- 2 LED 2-color yellow/blue
- 3 LED 2-color red/green



Product characteristics

Type of light	Infrared light
Electrical design	PNP
Protection	IP 65; IP 67; IP 69K; (with protective tube: IP 69K)

Application

Protective function	Access prevention finger protection
---------------------	-------------------------------------



Safety light curtain

OYA0760-14-4-05-P-1-A

Electrical data		
Operating voltage tolerance	[%]	20
Operating voltage	[V]	24 DC
Protection class		III
Reverse polarity protection		yes
Power-on delay time	[s]	< 2
Type of light		Infrared light
Wave length	[nm]	950
Receiver		
Current consumption	[mA]	83
Current consumption heating	[mA]	375
Transmitter		
Current consumption	[mA]	42
Current consumption heating	[mA]	375
Outputs		
Electrical design		PNP
Number of OSSD outputs		2
Max. current load per OSSD output	[mA]	400; (24 V)
Short-circuit protection		yes
Monitoring range		
Protected area height	[mm]	760
Resolution (detection capacity d)	[mm]	14
Protection area width (low light intensity)	[m]	0...2
Protection area width (high light intensity)	[m]	1...5
Reaction times		
Response time	[ms]	11
Operating conditions		
Ambient temperature	[°C]	-20...55
Max. relative air humidity	[%]	95
Protection		IP 65; IP 67; IP 69K; (with protective tube: IP 69K)
Tests / approvals		
EMC	IEC 61496-1	
Shock resistance	IEC 61496-1	
Vibration resistance	IEC 61496-1	
Safety classification		
ESPE type (IEC 61496-1)		4
Complies with the requirements		ISO 13849-1: 2015 Category 4, PL e
		IEC 61508 SIL 3
		IEC 62061 SIL 3
Mission time TM	[h]	175200
PFH	[1/h]	2,0E-08

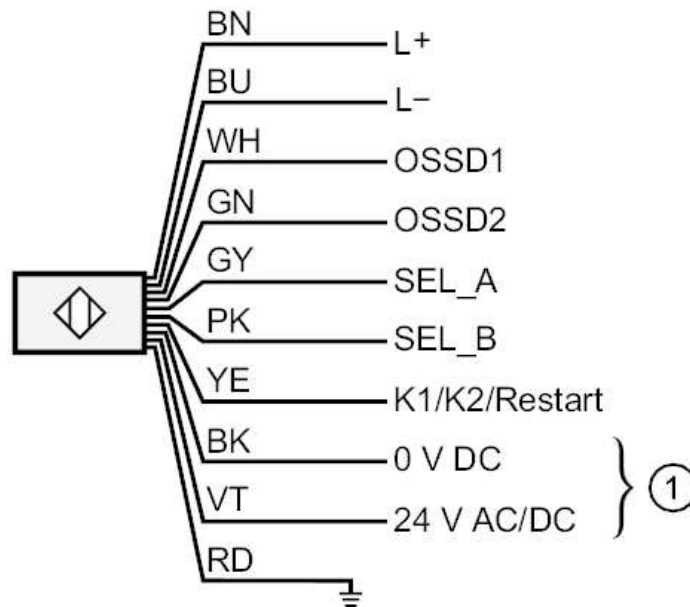
OY405S



Safety light curtain

OYA0760-14-4-05-P-1-A

Mechanical data		
Weight	[g]	5310
Dimensions	[mm]	937 x 76 x 74
Material		protective tube: PMMA transparent; Protective cap: POM; clamp: stainless steel (1.4404 / 316L); sealing: silicone
Length L	[mm]	937
Displays / operating elements		
Display	transmitter	1 x LED
	receiver	2 x LED
Remarks		
Pack quantity		1 pcs.
Electrical connection - receiver		
Cable: 15 m, PVC; Maximum cable length: 100 m; 10 x 0.34 mm ²		
Connection		



- 1: Heating
Core colors :
- BK = black
 BN = brown
 BU = blue
 GN = green
 GY = grey
 PK = pink
 RD = red
 VT = lilac
 WH = white
 YE = yellow

OY405S



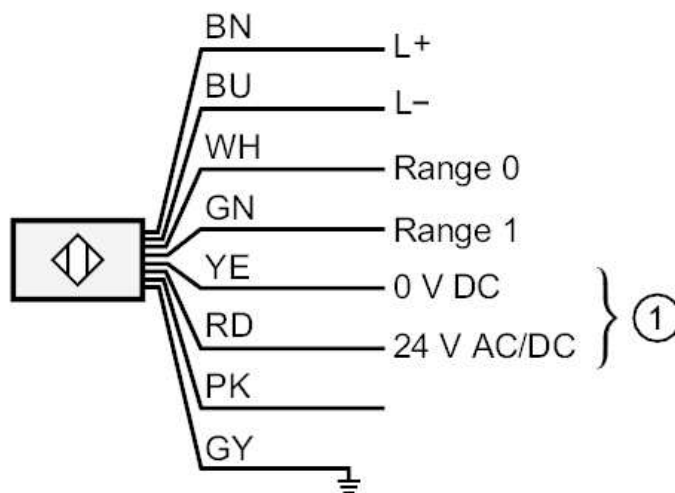
Safety light curtain

OYA0760-14-4-05-P-1-A

Electrical connection - transmitter

Cable: 15 m, PVC; 8 x 0.34 mm²

Connection



- 1: Heating
PK: not used
Core colors :
- BN = brown
BU = blue
GN = green
GY = grey
PK = pink
RD = red
WH = white
YE = yellow