

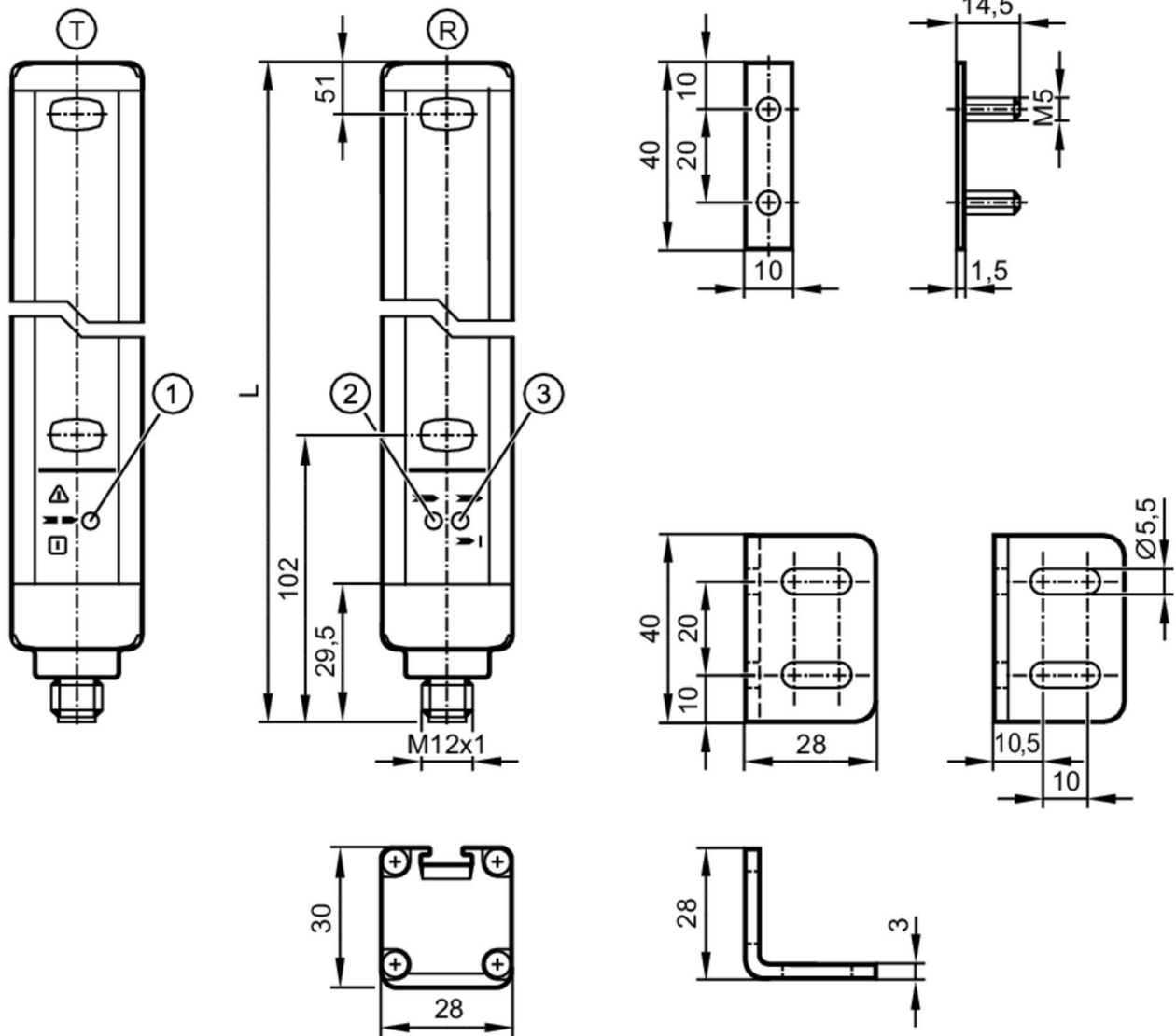
OY122S



Safety light grid

OYA0910-04-4-20-P-1

For 8-wire cordsets the core colors are not standardized.
Please note the wiring of the sensor and the cordsets (see data sheet).



- T transmitter
- R receiver
- 1 LED three-color red / green / orange
- 2 LED 2-color yellow/blue
- 3 LED 2-color red/green



Product characteristics

| | |
|-------------------|----------------|
| Type of light | Infrared light |
| Electrical design | PNP |
| Protection | IP 65; IP 67 |

Application

| | |
|---------------------|-----------------------------------|
| Protective function | Access prevention body protection |
|---------------------|-----------------------------------|



Safety light grid

OYA0910-04-4-20-P-1

| Electrical data | | |
|--|-------------|--|
| Operating voltage tolerance | [%] | 20 |
| Operating voltage | [V] | 24 DC |
| Protection class | | III |
| Reverse polarity protection | | yes |
| Power-on delay time | [s] | < 2 |
| Type of light | | Infrared light |
| Wave length | [nm] | 950 |
| Receiver | | |
| Current consumption | [mA] | 83 |
| Transmitter | | |
| Current consumption | [mA] | 42 |
| Outputs | | |
| Electrical design | | PNP |
| Number of OSSD outputs | | 2 |
| Max. current load per OSSD output | [mA] | 400; (24 V) |
| Short-circuit protection | | yes |
| Monitoring range | | |
| Protected area height | [mm] | 910 |
| Number of beams | | 4 |
| Protection area width (low light intensity) | [m] | 0...10 |
| Protection area width (high light intensity) | [m] | 3...20 |
| Reaction times | | |
| Response time | [ms] | 2.5 |
| Operating conditions | | |
| Applications | | Class C to EN 60654-1 weatherproof application |
| Ambient temperature | [°C] | -10...55 |
| Max. relative air humidity | [%] | 95 |
| Protection | | IP 65; IP 67 |
| Tests / approvals | | |
| EMC | IEC 61496-1 | |
| Shock resistance | IEC 61496-1 | |
| Vibration resistance | IEC 61496-1 | |
| Safety classification | | |
| ESPE type (IEC 61496-1) | | 4 |
| Complies with the requirements | | ISO 13849-1: 2015 Category 4, PL e |
| | | IEC 61508 SIL 3 |
| | | IEC 62061 SIL 3 |
| Mission time TM | [h] | 175200 |
| PFH | [1/h] | 1,1E-08 |

OY122S



Safety light grid

OYA0910-04-4-20-P-1

Mechanical data

| | | |
|------------|------|-----------------------------------|
| Weight | [g] | 3445 |
| Dimensions | [mm] | 1053 x 28 x 30 |
| Material | | housing: aluminum; front lens: PC |
| Length L | [mm] | 1053 |

Displays / operating elements

| | | |
|---------|--|-------------|
| Display | | LED, yellow |
| | | LED, green |
| | | LED, red |
| | | LED, blue |
| | | LED, orange |

Accessories

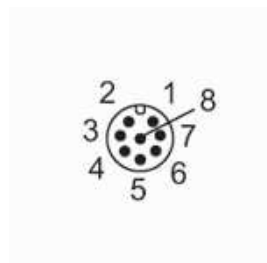
| | |
|----------------|-------------------|
| Items supplied | Assembly angle: 4 |
| | Slot nuts: 4 |
| | Nuts |

Remarks

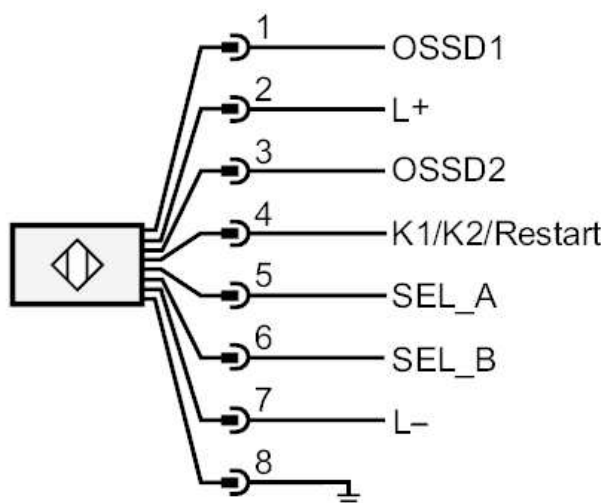
| | |
|---------------|--------|
| Pack quantity | 1 pcs. |
|---------------|--------|

Electrical connection - receiver

Connector: 1 x M12; coding: A; Maximum cable length: 100 m; for wire cross-section 0.34 mm²



Connection



OY122S

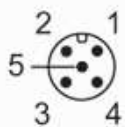


Safety light grid

OYA0910-04-4-20-P-1

Electrical connection - transmitter

Connector: 1 x M12; coding: A



Connection

