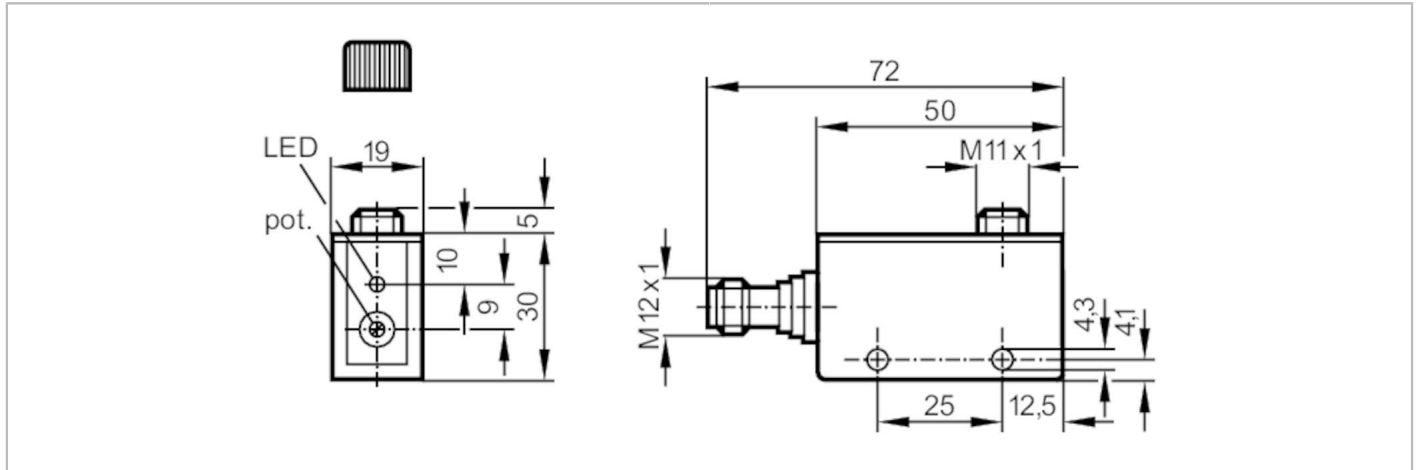


# OK5022



## Fiber-optic amplifier

OKF-FNKG/US-100-DNF



Product characteristics		
Type of light		red light
Housing		rectangular
Electrical data		
Operating voltage	[V]	10...36 DC
Current consumption	[mA]	30; ((24 V))
Protection class		III
Reverse polarity protection		yes
Type of light		red light
Wave length	[nm]	660
Outputs		
Electrical design		NPN
Output function		light-on/dark-on mode; (programmable)
Max. voltage drop switching output DC	[V]	2.5
Permanent current rating of switching output DC	[mA]	250
Switching frequency DC	[Hz]	120
Short-circuit protection		yes
Type of short-circuit protection		yes (non-latching)
Overload protection		yes
Monitoring range		
Range	[m]	0...0.12; (Through-beam sensor)
Range	[mm]	0...40; (Diffuse reflection sensor)
Range adjustable		yes
Operating conditions		
Ambient temperature	[°C]	-25...60
Protection		IP 65

# OK5022



## Fiber-optic amplifier

OKF-FNKG/US-100-DNF

### Tests / approvals

EMC	EN 60947-5-2	
MTTF	[years]	529

### Mechanical data

Weight	[g]	66
Housing		rectangular
Dimensions	[mm]	50 x 19 x 35
Material		PPO modified
Lens alignment		Side sensing

### Displays / operating elements

Display	Switching status	1 x LED, yellow
---------	------------------	-----------------

### Accessories

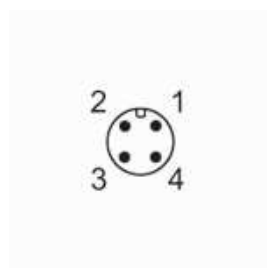
Items supplied	screwdrivers
	screws: 2 x M4 x 25
	washers: 2
	spring washers: 2
	Nuts: 2

### Remarks

Remarks	light-on mode corresponds to the NC output function for through-beam fibers corresponds to the NO output function for diffuse-reflection fibers
	dark-on mode corresponds to the NO output function for through-beam fibers corresponds to the NC output function for diffuse-reflection fiber optics
Pack quantity	1 pcs.

### Electrical connection

Connector: 1 x M12; coding: A



### Connection

