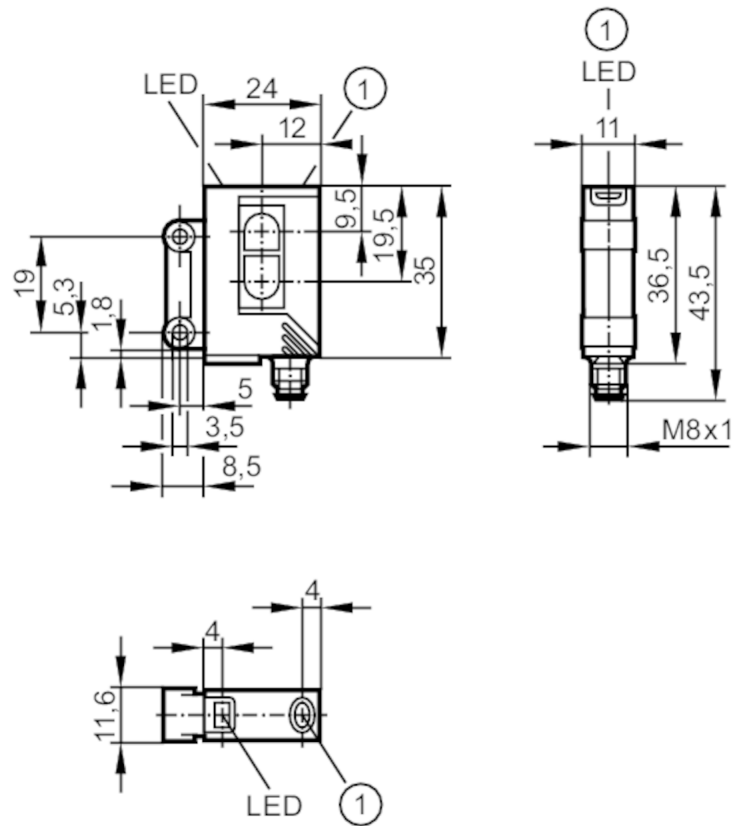




LASER diffuse reflection sensor

OJHLFPKG/FO/AS



- 1 pushbutton
Receiver in upper lens
transmitter in lower lens



Product characteristics

Type of light	red light
Laser protection class	1
Housing	rectangular

Application

System	Background suppression
Function principle	Diffuse reflection sensor

Electrical data

Operating voltage	[V]	10...30 DC
Current consumption	[mA]	13
Protection class		III
Reverse polarity protection		yes
Type of light		red light
Wave length	[nm]	650
Typ. lifetime	[h]	50000

Outputs

Electrical design	PNP
-------------------	-----

OJ5152



LASER diffuse reflection sensor

OJHLFPKG/FO/AS

Output function	light-on/dark-on mode; (programmable)	
Max. voltage drop switching output DC [V]		2.5
Permanent current rating of switching output DC [mA]		200
Switching frequency DC [Hz]		1000
Short-circuit protection		yes
Type of short-circuit protection		yes (non-latching)
Overload protection		yes

Monitoring range		
Range [mm]	15...200; (white paper 200 x 200 mm 90 % remission)	
Range adjustable		yes
Diameter of the smallest detectable object [mm]		2
Max. light spot width [mm]		2
Max. light spot height [mm]		1
Background suppression available		yes

Operating conditions		
Ambient temperature [°C]		-10...60
Protection		IP 67

Tests / approvals		
EMC	EN 60947-5-2	
Laser protection class		1
Notes on laser protection	Caution:	Laser light
	laser class:	1
		EN / IEC60825-1:2007
		EN / IEC60825-1:2014
		Complies with 21 CFR 1040 except for deviations pursuant to Laser Notice No. 50, dated June 2007.
MTTF [years]		501

Mechanical data		
Weight [g]		28.6
Housing		rectangular
Dimensions [mm]		35 x 24 x 11
Material	housing: ABS; LED window: SEPS; pushbutton: SEPS	
Lens material		PMMA
Lens alignment		Front sensing

Displays / operating elements		
Display	Switching status	1 x LED, yellow
	Power	1 x LED, green
Electronic lock		yes



LASER diffuse reflection sensor

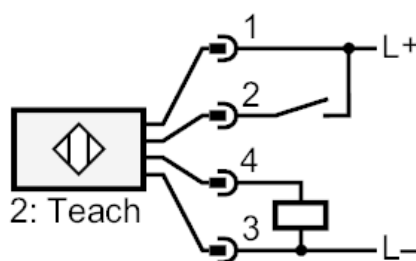
OJHLFPKG/FO/AS

Accessories	
Items supplied	screws: 2 spring washers: 2 Nuts: 2
Remarks	
Remarks	cULus - Class 2 source required
Pack quantity	1 pcs.
Electrical connection	

Connector: 1 x M8; coding: A

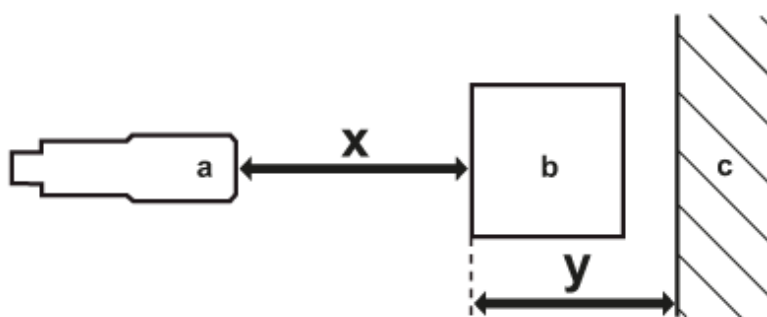


Connection



2 Teach

Diagrams and graphs



- a: sensor
- b: object
- c: background
- x: distance sensor/object [mm]
- y: min. distance object/background [mm]

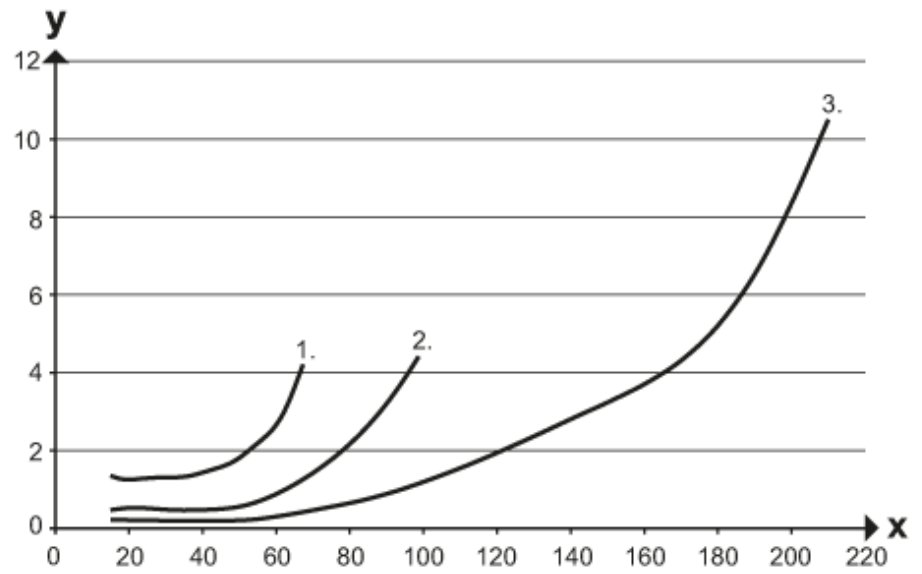
OJ5152



LASER diffuse reflection sensor

OJHLFPKG/FO/AS

Background suppression chart



x: distance sensor/object [mm]

y: min. distance object/background [mm]

1 = object black (6 % remission) , Background white (90 % remission)

2 = object grey (18 % remission) , Background white (90 % remission)

3 = object white (90 % remission) , Background white (90 % remission)