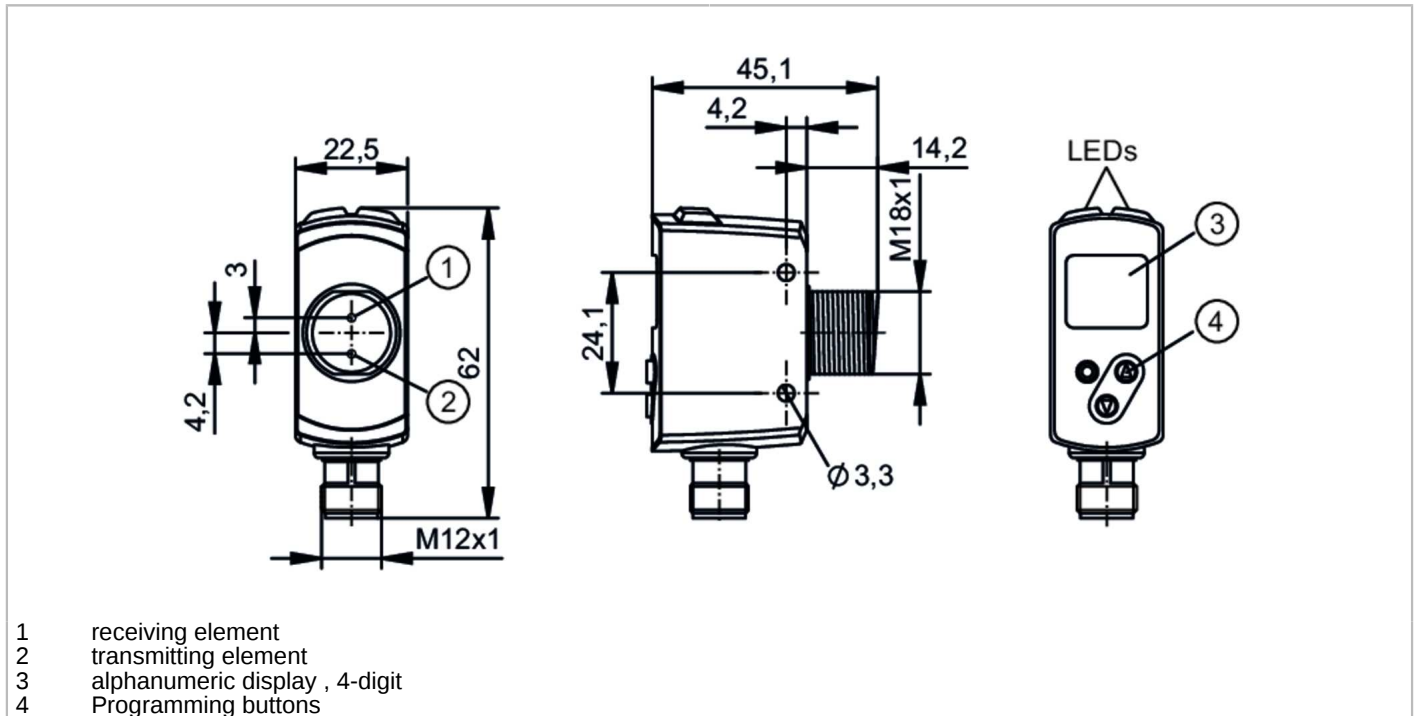


OGD551



Laser distance sensor

OGDLF8KG/IO-LINK/US



- 1 receiving element
- 2 transmitting element
- 3 alphanumeric display , 4-digit
- 4 Programming buttons



Product characteristics

Type of light	red light
Laser protection class	1
Housing	rectangular with M18 thread

Electrical data

Operating voltage	[V]	18...30 DC; (cULus - Class 2 source required)
Current consumption	[mA]	45; (24 V)
Protection class		III
Reverse polarity protection		yes
Type of light		red light
Wave length	[nm]	650

Inputs / outputs

Number of inputs and outputs	Number of digital outputs: 2; Number of analog outputs: 1
------------------------------	---

Inputs

Inputs	Laser On/ Off
--------	---------------

Outputs

Total number of outputs	2
Electrical design	PNP/NPN; (configurable)
Number of digital outputs	2
Output function	2 x normally open / normally closed; (configurable)
Max. current load per output	[mA] 100
Number of analog outputs	1
Analog current output	[mA] 4...20; (IEC 61131-2)



Laser distance sensor

OGDLF8KG/IO-LINK/US

Max. load	[Ω]	250
Analog voltage output	[V]	0...10; (IEC 61131-2)
Min. load resistance	[Ω]	5000
Short-circuit protection		yes
Type of short-circuit protection		yes (non-latching)
Overload protection		yes
Operating mode: FINE		
Switching frequency DC	[Hz]	20
Operating mode: STD		
Switching frequency DC	[Hz]	40
Operating mode: FAST		
Switching frequency DC	[Hz]	60
Monitoring range		
Max. light spot diameter	[mm]	5
Light spot dimensions refer to		at maximum range
Background suppression	[m]	< 20
Measuring/setting range		
Setting range object reflectivity	[%]	6...900; (reflectivity; 6 % black paper; 100 % white paper)
Operating mode: FINE		
Measuring range	[m]	0.05...2
Sampling rate	[Hz]	60
Operating mode: STD		
Measuring range	[m]	0.05...2
Sampling rate	[Hz]	120
Operating mode: FAST		
Measuring range	[m]	0.05...1
Sampling rate	[Hz]	180
Software / programming		
Parameter setting options		Distance / reflectivity; hysteresis / window; Sensitivität; current/voltage output; Sequence modulation to avoid mutual interference by similar sensors
Interfaces		
Communication interface		IO-Link
Transmission type		COM2 (38,4 kBaud)
IO-Link revision		1.1.3
SDCI standard		IEC 61131-9
Profiles		Smart Sensor: Sensor Identification; Binary Data Channel; Process Value; Sensor Diagnosis
SIO mode		yes
Required master port class		A
Min. process cycle time	[ms]	5

OGD551



Laser distance sensor

OGDLF8KG/IO-LINK/US

IO-Link process data (cyclical)	Function	bit length
	process value	2 x 16
	device status	4
IO-Link functions (acyclical)	application specific tag; operating hours counter; switching cycles counter	
Supported DeviceIDs	Type of operation	DeviceID
	default	1582
Note	For further information please see the IODD PDF file at "Downloads"	

Operating conditions		
Ambient temperature [°C]		-25...55
Note on ambient temperature	In ambient temperatures < -10 °C a warm-up time is necessary.	
		Laser is off.
Storage temperature [°C]		-30...80
Protection		IP 65; IP 67

Tests / approvals		
EMC	EN 60947-5-2	
Laser protection class		1
Notes on laser protection	Caution:	Laser light
	laser class:	1
		EN / IEC60825-1:2007
		EN / IEC60825-1:2014
	Complies with 21 CFR 1040 except for deviations pursuant to Laser Notice No. 50, dated June 2007.	
MTTF [years]		258
UL approval	Ta	-25...60 °C
	Enclosure type	Type 1
	voltage supply	Class 2
	File number UL	E174191

Mechanical data		
Weight [g]		134.8
Housing		rectangular with M18 thread
Dimensions [mm]		61.7 x 22.5 x 45.2
Thread designation		M18 x 1
Material		housing: stainless steel (1.4404 / 316L); PPSU; ABS; PMMA; PBT / PC; EPDM; front lens: PMMA
Lens alignment		Side sensing

Displays / operating elements		
Display	Switching status	2 x LED, yellow
		1 x alphanumeric display, 4-digit
Operating elements	3	pushbuttons

Accessories		
Items supplied		lock nuts: 2

Remarks		
Pack quantity		1 pcs.

OGD551

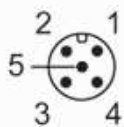


Laser distance sensor

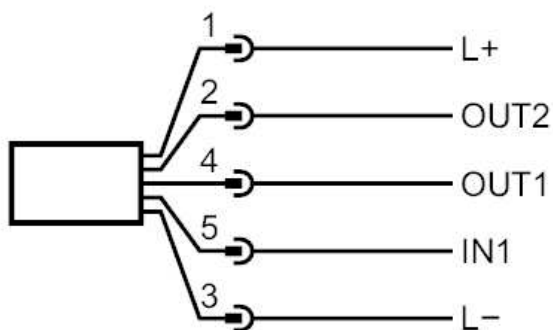
OGDLF8KG/IO-LINK/US

Electrical connection

Connector: 1 x M12; coding: A



Connection



- 1: L+
 - 2: OUT2 switching output or analog output
 - 3: L-
 - 4: OUT1 switching output or IO-Link
 - 5: IN Laser On/ Off
- Further information is available in the manual.

OGD551



Laser distance sensor

OGDLF8KG/IO-LINK/US

Other data		
Parameter	Setting range	Factory setting
SEL1	Dist / Refl	Dist
OU1	Hno, Hnc, Fno, Fnc.OFF	Hno
SP1 [mm]	50...2000	1000
SP1 [%]	6...900	10
nSP1 [mm]	50...2000	900
FSP1 [cm]	50...2000	1100
SF1 [mm]	10...500	50
bSP1 [%]	6...900	40
dSP1 [%]	6...900	30
SF1 [%]	1...100	10
dS1 [s]	0...0.1...5	0
dr1 [s]	0...0.1...5	0
SEL2	Dist / Refl	Dist
OU2	Hno, Hnc, Fno, Fnc, OFF	Hno
SP2 [cm]	50...2000	2000
SP2 [%]	6...900	6
ASP [mm]	0...2200	0
ASP [%]	0...999	0
AEP [mm]	0...2200	2000
AEP [%]	0...999	100
nSP2 [mm]	50...2000	1800
FSP2 [mm]	50...2000	2000
SF2 [mm]	10...500	50
bSP2 [%]	6...900	20
dSP2 [%]	6...900	10
SF2 [%]	1...100	10
dS2 [s]	0...0.01...5	0
dr2 [s]	0...0.01...5	0
dSO [s]	0...0.01...5	0.1
diS	On / OFF	On
colr	rEd; GrEn; r1ou; G1ou; r2ou; G2ou; r-12; G-ou	G1ou
P-n	PNP,NPN	PNP
OPEr (operating mode)	FINE,STD, FAST	FINE
SEQ	auto; S1...S5	auto

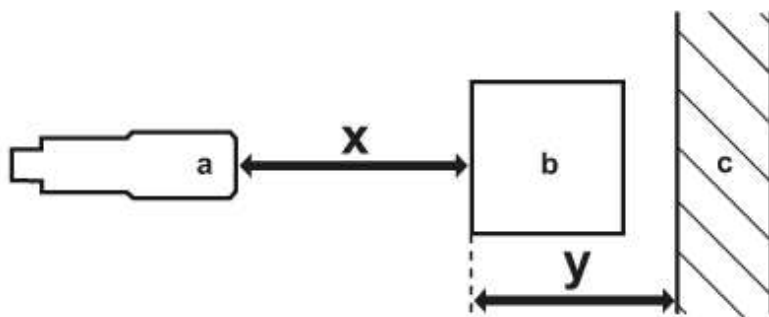
The values apply at	
Extraneous light on the object	< 10 klx
constant ambient conditions	23 °C / 960 hPa
minimum power-on time in minutes	15



Laser distance sensor

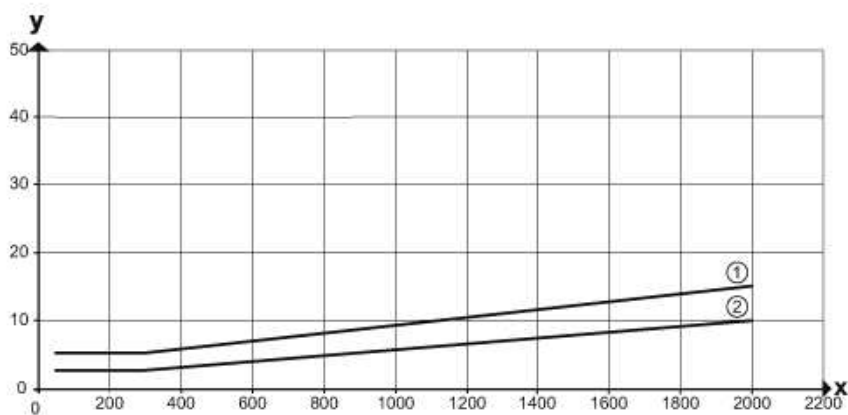
OGDLF8KG/IO-LINK/US

Diagrams and graphs



- a: sensor
- b: object
- c: background
- x: distance sensor/object [mm]
- y: min. distance object/background [mm]

Hysteresis graph for distance measurement / operating mode: FINE



- 1: Background any (6...90 % remission)
- 2: Background white (90 % remission)

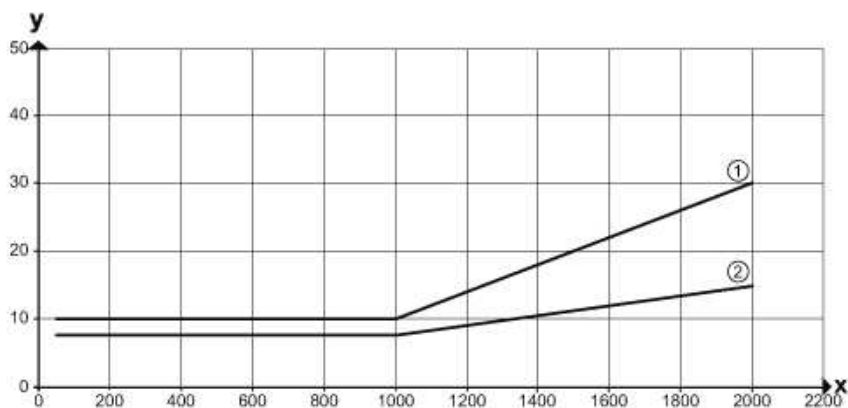
OGD551



Laser distance sensor

OGDLF8KG/IO-LINK/US

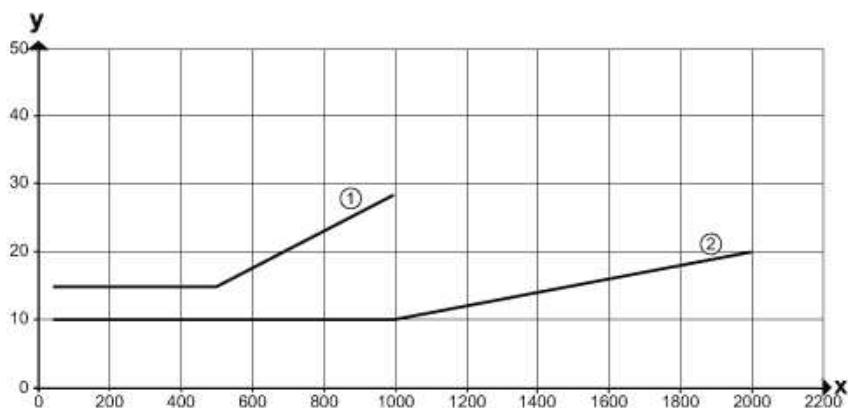
Hysteresis graph for distance measurement / operating mode: STD



1: Background any (6...90 % remission)

2: Background white (90 % remission)

Hysteresis graph for distance measurement / operating mode: FAST



1: Background any (6...90 % remission)

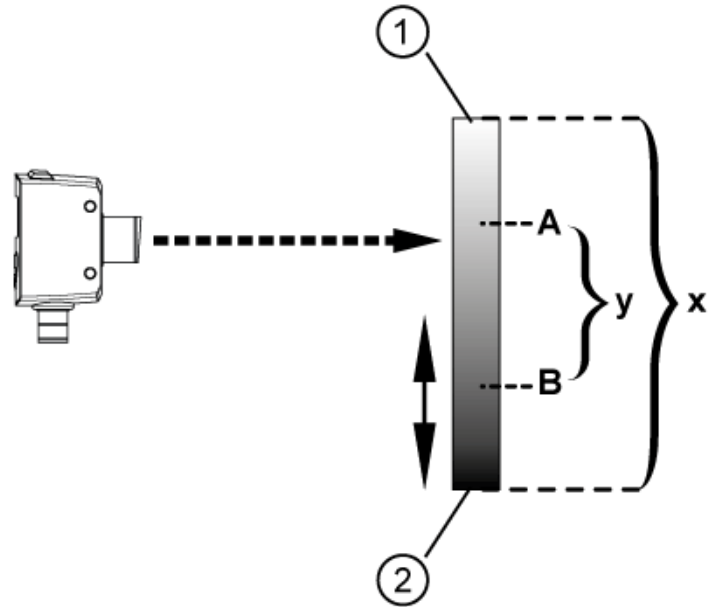
2: Background white (90 % remission)

OGD551



Laser distance sensor

OGDLF8KG/IO-LINK/US



- 1: bright
- 2: dark
- A: Set point
- B: Reset point
- x: object brightness (Object reflectivity)
- y: min. reflectivity difference to be detected safely

Hysteresis curve for object reflectivity

