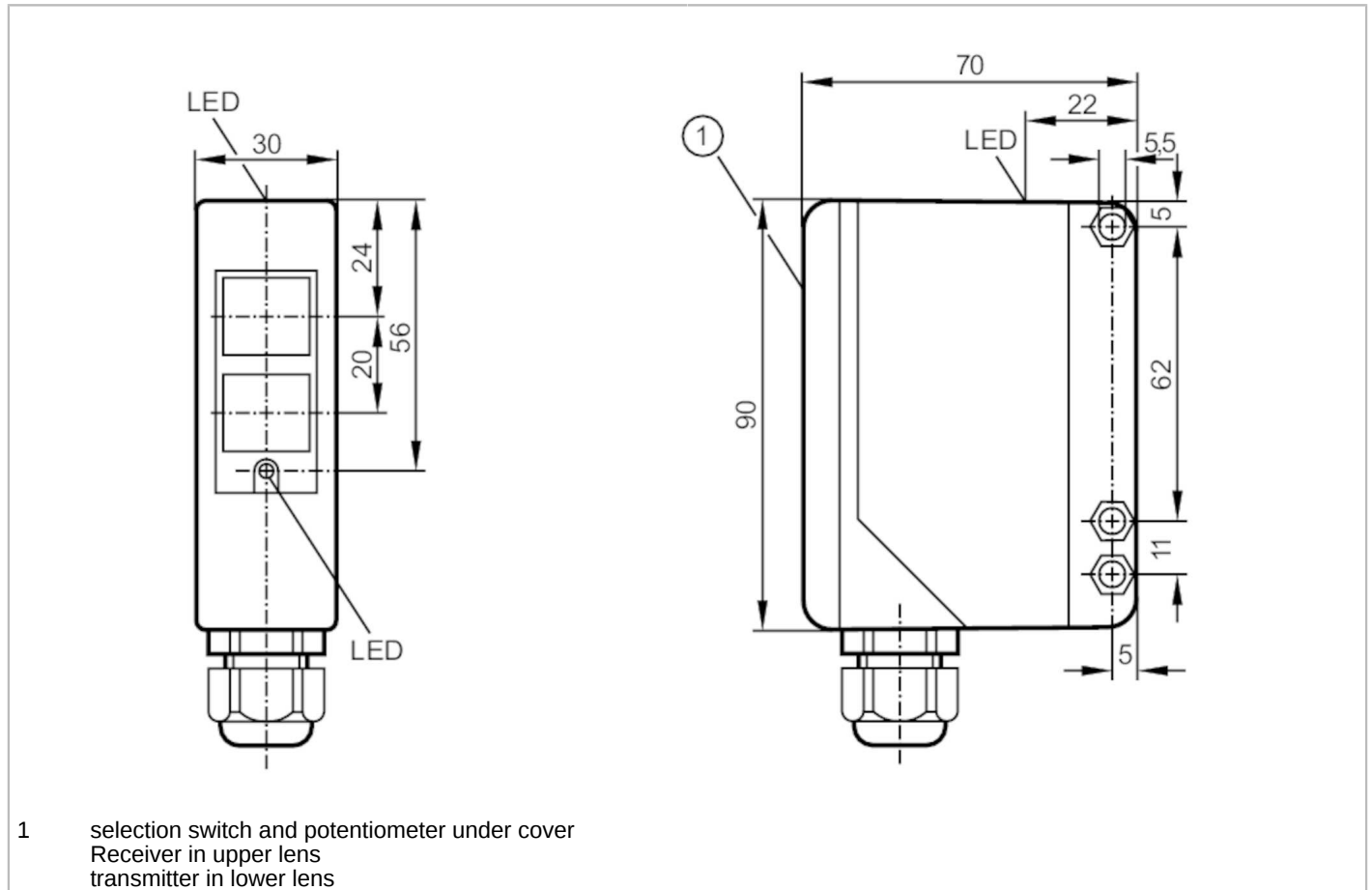


OA5104



Retro-reflective sensor

OAR-FCKG



Product characteristics	
Type of light	Infrared light
Housing	rectangular
Application	
System	Function check output
Function principle	Retro-reflective sensor
Electrical data	
Operating voltage [V]	10...36 DC
Current consumption [mA]	< 50
Protection class	II
Reverse polarity protection	yes
Type of light	Infrared light
Wave length [nm]	880
Outputs	
Electrical design	PNP/NPN
Output function	light-on/dark-on mode; (programmable)
Function check output	yes
Max. current load for function check output [mA]	10

OA5104



Retro-reflective sensor

OAR-FCKG

Permanent current rating of switching output DC [mA]	250
Max. current load in dual output mode [mA]	100
Switching frequency DC [Hz]	300
Short-circuit protection	yes
Type of short-circuit protection	yes (non-latching)
Overload protection	yes

Monitoring range

Range referred to prismatic reflector [m]	0.25...10; (Prismatic reflector Ø 80 E20005)
Range adjustable	yes
Max. light spot diameter [mm]	350
Light spot dimensions refer to	at maximum range

Operating conditions

Ambient temperature [°C]	-25...60
Protection	IP 65

Tests / approvals

EMC	EN 60947-5-2	
	EN 55011	class B
MTTF [years]	402	

Mechanical data

Weight [g]	284.5
Housing	rectangular
Dimensions [mm]	90 x 30 x 70
Material	PPO modified
Lens material	PMMA
Lens alignment	Side sensing

Displays / operating elements

Display	Switching status	1 x LED, yellow
	Power	1 x LED, green
	Function	1 x LED, red

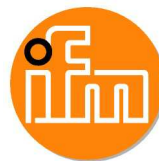
Accessories

Items supplied	Angle bracket: 1, E20514 screwdrivers
----------------	--

Remarks

Pack quantity	1 pcs.
---------------	--------

OA5104



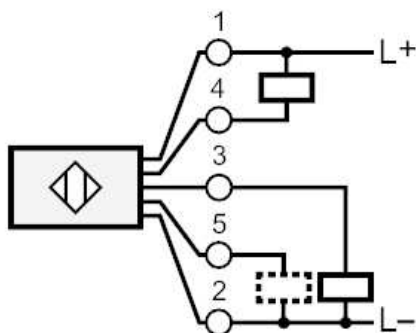
Retro-reflective sensor

OAR-FCKG

Electrical connection

terminals: ...1.5 mm²; Cable sheath: Ø 4.5...10 mm; Cable gland: M16 X 1.5

Connection



5 Function check output

Diagrams and graphs

excess gain graph

