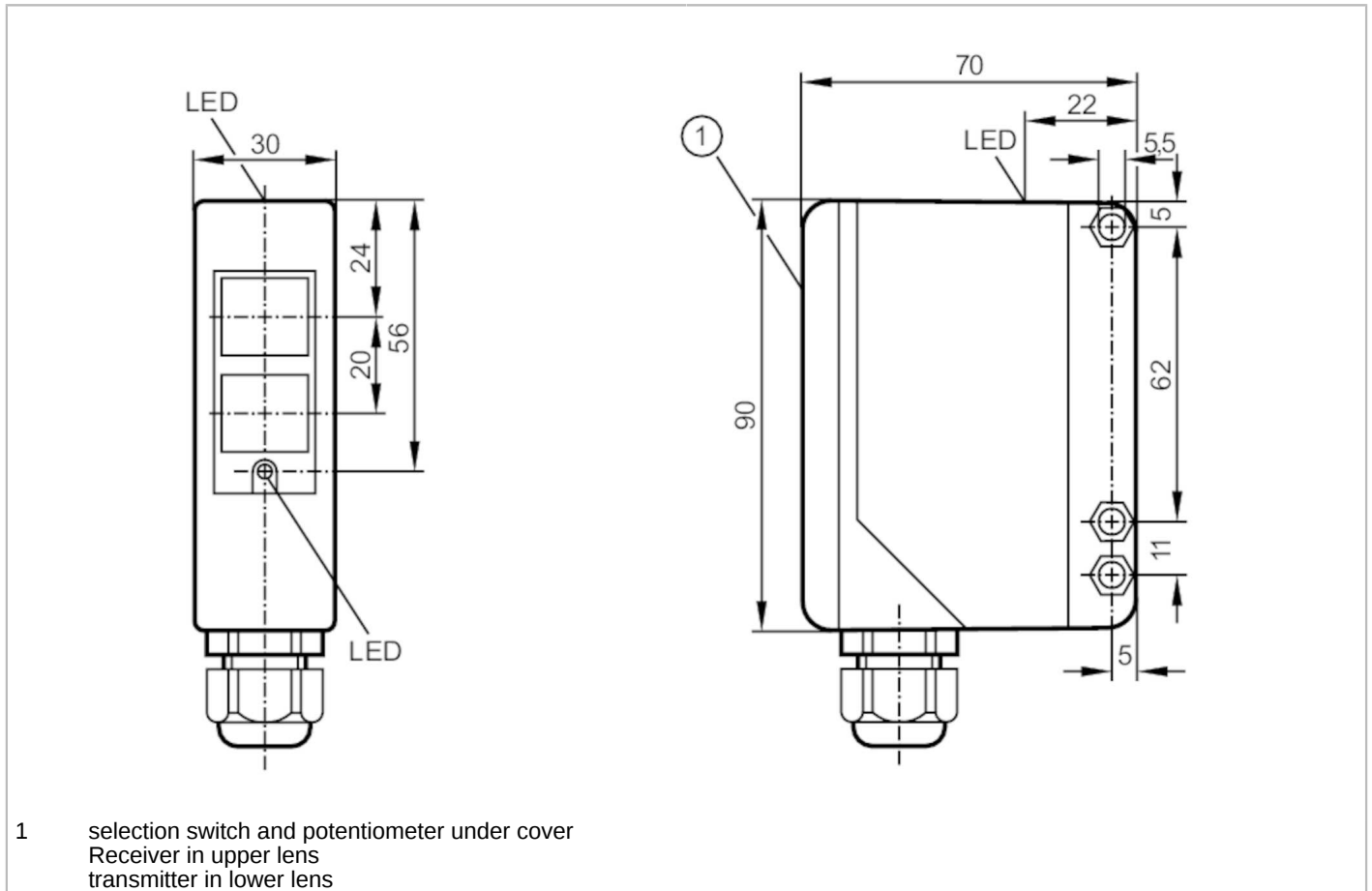


OA0109



Diffuse reflection sensor

OAT-FKOAT



Product characteristics	
Type of light	Infrared light
Housing	rectangular
Application	
Function principle	Diffuse reflection sensor
Electrical data	
Frequency AC [Hz]	47...63
Operating voltage [V]	20...250 AC/DC
Max. power consumption [VA]	2
Protection class	II
Reverse polarity protection	no
Type of light	Infrared light
Wave length [nm]	880
Outputs	
Electrical design	Relay
Output function	light-on/dark-on mode; (programmable)
Contact rating	250 V AC / 3 A / 360 VA, 125 V DC / 3 A / 30 W
Switching frequency AC [Hz]	10
Switching frequency DC [Hz]	10

OA0109



Diffuse reflection sensor

OAT-FKOA/T

Short-circuit proof	no
Overload protection	no
Time function [s]	0.5...10

Monitoring range

Range [mm]	5...1500; (white paper 200 x 200 mm)
Range adjustable	yes
Max. light spot diameter [mm]	370
Light spot dimensions refer to	at maximum range

Operating conditions

Ambient temperature [°C]	-25...60
Protection	IP 65

Tests / approvals

EMC	EN 60947-5-2
MTTF [years]	264

Mechanical data

Weight [g]	307
Housing	rectangular
Dimensions [mm]	90 x 30 x 70
Material	PPO modified
Lens material	PMMA
Lens alignment	Side sensing

Displays / operating elements

Display	Switching status	1 x LED, yellow
	Power	1 x LED, green
	Function	1 x LED, red
Operating elements		On-delay or off-delay selectable via slide switch

Electrical connection

Required protection	miniature fuse to IEC60127-2 sheet 1; ≤ 5 A; fast acting
---------------------	--

Accessories

Items supplied	Angle bracket: 1, E20514 screwdrivers
----------------	--

Remarks

Remarks	Recommendation: check the unit for reliable function after a short circuit.
Pack quantity	1 pcs.

OA0109



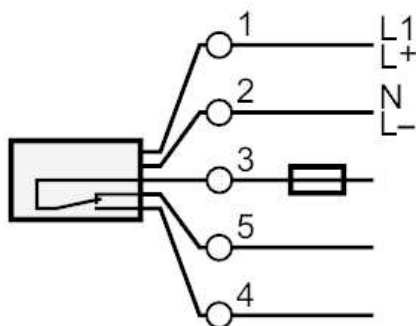
Diffuse reflection sensor

OAT-FKOA/T

Electrical connection

terminals: ...1.5 mm²; Cable sheath: Ø 4.5...10 mm; Cable gland: M16 X 1.5

Connection



Note : miniature fuse to IEC60127-2 sheet 1 ≤ 5 A fast acting

Diagrams and graphs

excess gain graph

