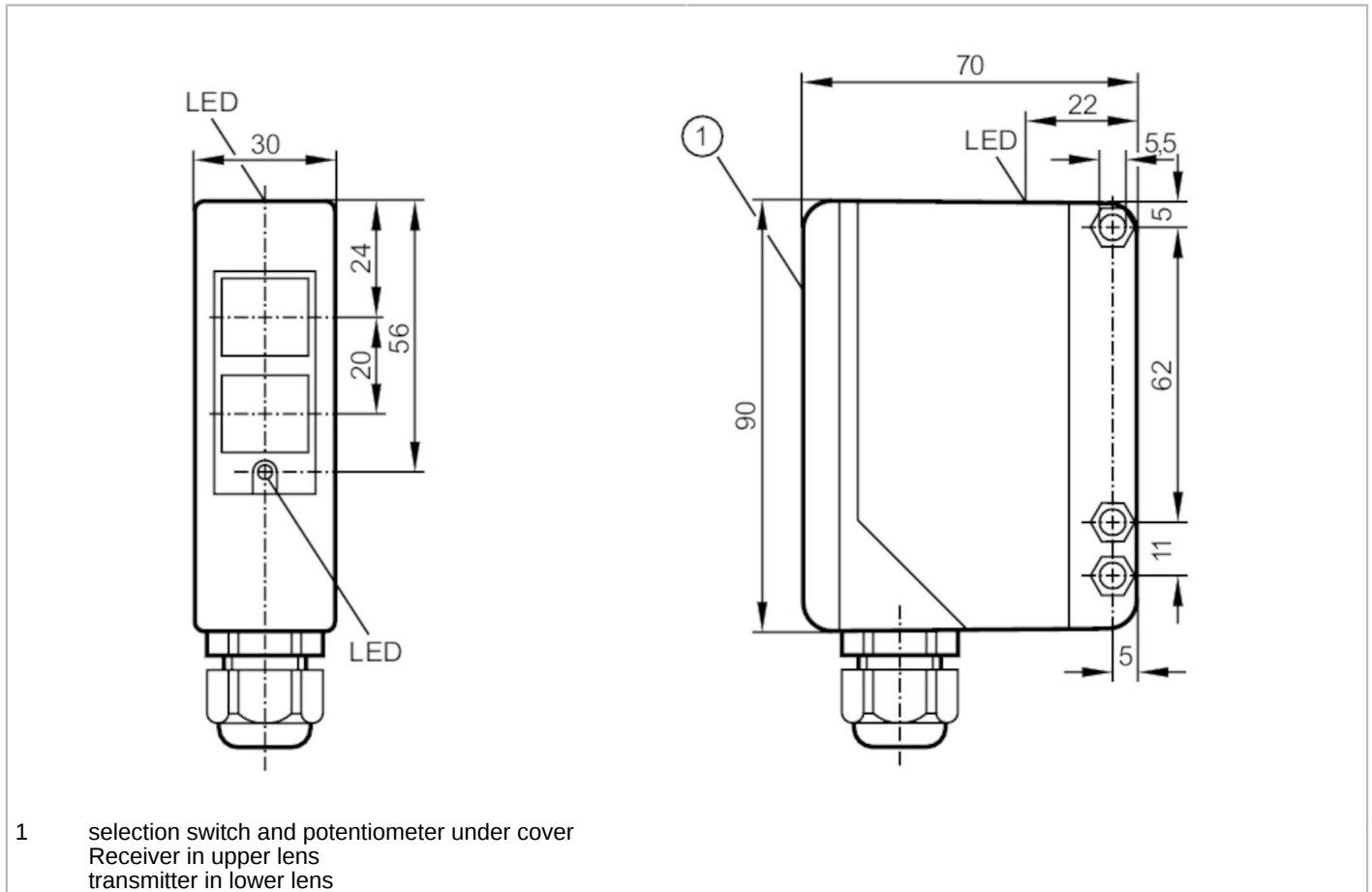


OA0108



Diffuse reflection sensor

OAT-FKOA



Product characteristics

Type of light	Infrared light
Housing	rectangular

Application

Function principle	Diffuse reflection sensor
--------------------	---------------------------

Electrical data

Frequency AC	[Hz]	47...63
Operating voltage	[V]	20...250 AC/DC
Max. power consumption	[VA]	2
Protection class		II
Reverse polarity protection		no
Type of light		Infrared light
Wave length	[nm]	880

Outputs

Electrical design		Relay
Output function		light-on/dark-on mode; (programmable)
Contact rating		250 V AC / 3 A / 360 VA, 125 V DC / 3 A / 30 W
Switching frequency AC	[Hz]	10
Switching frequency DC	[Hz]	10

OA0108



Diffuse reflection sensor

OAT-FKOA

Short-circuit proof		no
Overload protection		no
Monitoring range		
Range	[mm]	5...1500; (white paper 200 x 200 mm)
Range adjustable		yes
Max. light spot diameter	[mm]	370
Light spot dimensions refer to		at maximum range
Operating conditions		
Ambient temperature	[°C]	-25...60
Protection		IP 65
Tests / approvals		
EMC		EN 60947-5-2
MTTF	[years]	288
Mechanical data		
Weight	[g]	304.5
Housing		rectangular
Dimensions	[mm]	90 x 30 x 70
Material		PPO modified
Lens material		PMMA
Lens alignment		Side sensing
Displays / operating elements		
Display	Switching status	1 x LED, yellow
	Power	1 x LED, green
	Function	1 x LED, red
Electrical connection		
Required protection		miniature fuse to IEC60127-2 sheet 1; ≤ 5 A; fast acting
Accessories		
Items supplied		Angle bracket: 1, E20514 screwdrivers
Remarks		
Remarks		Recommendation: check the unit for reliable function after a short circuit.
Pack quantity		1 pcs.

OA0108



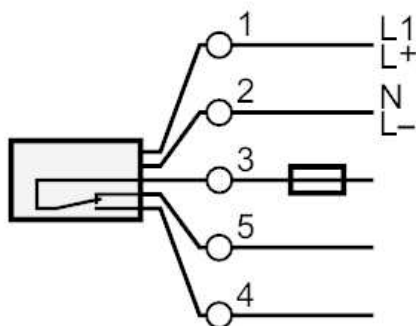
Diffuse reflection sensor

OAT-FKOA

Electrical connection

terminals: ...1.5 mm²; Cable sheath: Ø 4.5...10 mm; Cable gland: M16 X 1.5

Connection



Note : miniature fuse to IEC60127-2 sheet 1 ≤ 5 A fast acting

Diagrams and graphs

excess gain graph

