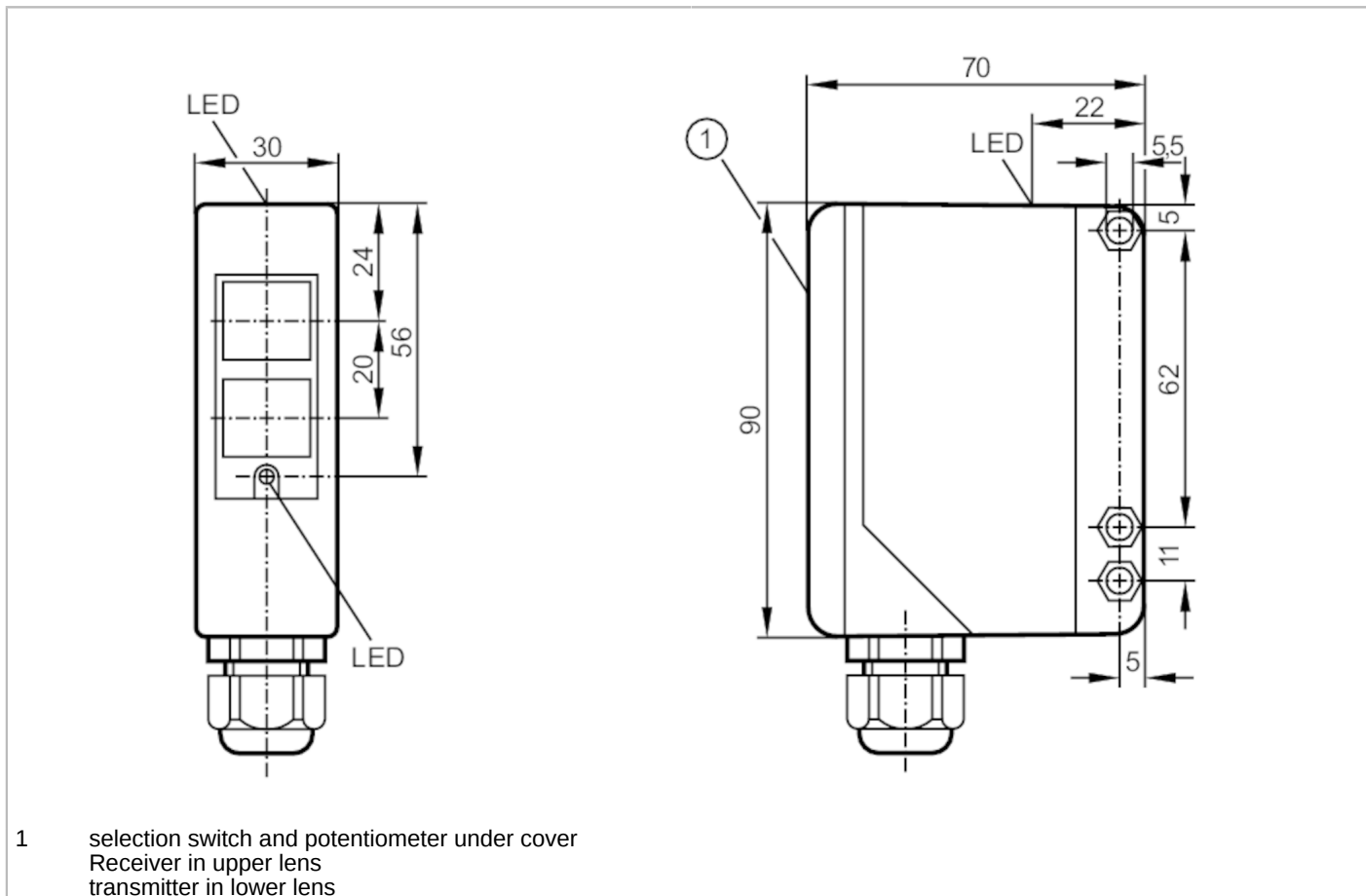


OA0106



Retro-reflective sensor

OAP-FKOA



Product characteristics		
Type of light		red light
Housing		rectangular
Application		
System		polarization filter
Function principle		Retro-reflective sensor
Electrical data		
Frequency AC	[Hz]	47...63
Operating voltage	[V]	20...250 AC/DC
Max. power consumption	[VA]	2
Protection class		II
Reverse polarity protection		no
Type of light		red light
Wave length	[nm]	660
Outputs		
Electrical design		Relay
Output function		light-on/dark-on mode; (programmable)
Contact rating		250 V AC / 3 A / 360 VA, 125 V DC / 3 A / 30 W
Switching frequency AC	[Hz]	10

OA0106



Retro-reflective sensor

OAP-FKOA

Switching frequency DC	[Hz]	10
Short-circuit proof		no
Overload protection		no

Monitoring range

Range referred to prismatic reflector	[m]	0.2...8; (Prismatic reflector Ø 80 E20005)
Range adjustable		yes
Max. light spot diameter	[mm]	420
Light spot dimensions refer to		at maximum range
Polarization filter available		yes

Operating conditions

Ambient temperature	[°C]	-25...60
Protection		IP 65

Tests / approvals

EMC	EN 60947-5-2	
	EN 55011	class B
MTTF	[years]	288

Mechanical data

Weight	[g]	303.5
Housing		rectangular
Dimensions	[mm]	90 x 30 x 70
Material		PPO modified
Lens material		PMMA
Lens alignment		Side sensing

Displays / operating elements

Display	Switching status	1 x LED, yellow
	Power	1 x LED, green
	Function	1 x LED, red

Electrical connection

Required protection	miniature fuse to IEC60127-2 sheet 1; ≤ 5 A; fast acting
---------------------	--

Accessories

Items supplied	Angle bracket: 1, E20514 screwdrivers
----------------	--

Remarks

Remarks	Recommendation: check the unit for reliable function after a short circuit.
Pack quantity	1 pcs.

OA0106



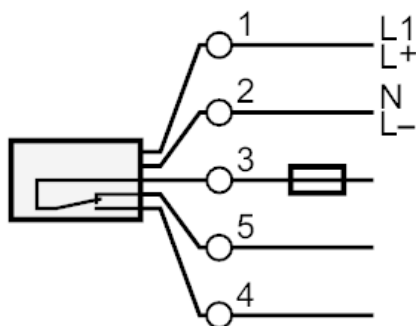
Retro-reflective sensor

OAP-FKOA

Electrical connection

terminals: ...1.5 mm²; Cable sheath: Ø 4.5...10 mm; Cable gland: M16 X 1.5

Connection



Note : miniature fuse to IEC60127-2 sheet 1 ≤ 5 A fast acting

Diagrams and graphs

excess gain graph

