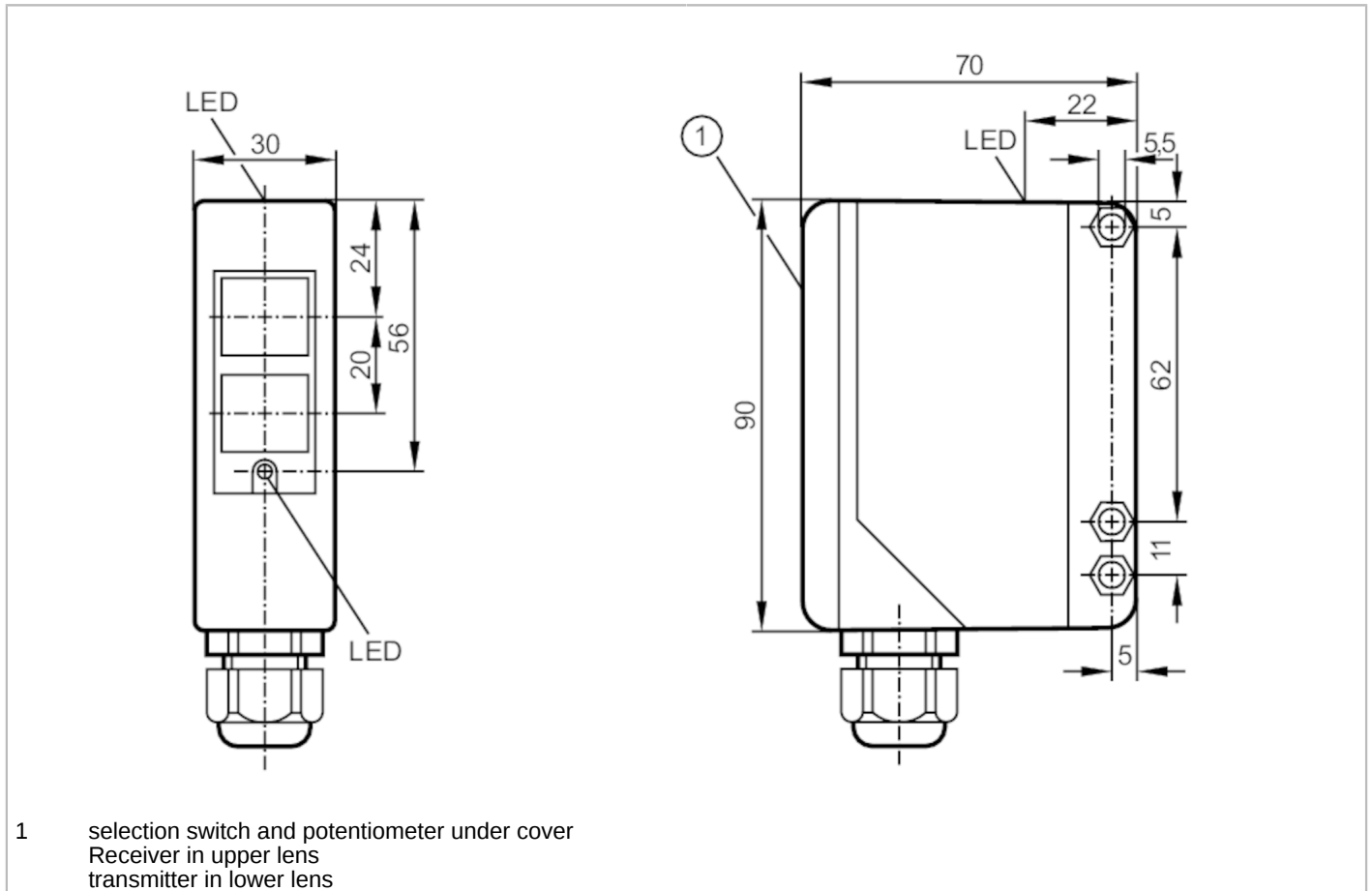


OA0105



Retro-reflective sensor

OAR-FKOAT



Product characteristics

Type of light	Infrared light
Housing	rectangular

Application

Function principle	Retro-reflective sensor
--------------------	-------------------------

Electrical data

Frequency AC	[Hz]	47...63
Operating voltage	[V]	20...250 AC/DC
Max. power consumption	[VA]	2
Protection class		II
Reverse polarity protection		no
Type of light		Infrared light
Wave length	[nm]	880

Outputs

Electrical design		Relay
Output function		light-on/dark-on mode; (programmable)
Contact rating		250 V AC / 3 A / 360 VA, 125 V DC / 3 A / 30 W
Switching frequency AC	[Hz]	10
Switching frequency DC	[Hz]	10

OA0105



Retro-reflective sensor

OAR-FKOAT

Short-circuit proof	no
Overload protection	no
Time function [s]	0.5...10

Monitoring range

Range referred to prismatic reflector [m]	0.25...10; (Prismatic reflector Ø 80 E20005)
Range adjustable	yes
Max. light spot diameter [mm]	350
Light spot dimensions refer to	at maximum range

Operating conditions

Ambient temperature [°C]	-25...60
Protection	IP 65

Tests / approvals

EMC	EN 60947-5-2	
	EN 55011	class B
MTTF [years]	264	

Mechanical data

Weight [g]	306
Housing	rectangular
Dimensions [mm]	90 x 30 x 70
Material	PPO modified
Lens material	PMMA
Lens alignment	Side sensing

Displays / operating elements

Display	Switching status	1 x LED, yellow
	Power	1 x LED, green
	Function	1 x LED, red
Operating elements	On-delay or off-delay selectable via slide switch	

Electrical connection

Required protection	miniature fuse to IEC60127-2 sheet 1; ≤ 5 A; fast acting
---------------------	--

Accessories

Items supplied	Angle bracket: 1, E20514 screwdrivers
----------------	--

Remarks

Remarks	Recommendation: check the unit for reliable function after a short circuit.
Pack quantity	1 pcs.

OA0105



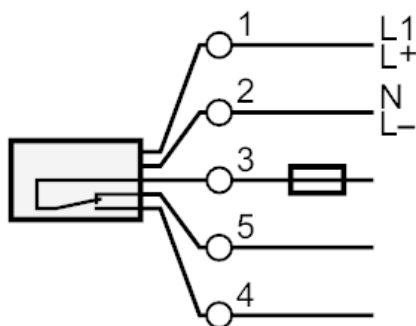
Retro-reflective sensor

OAR-FKOAT

Electrical connection

terminals: ...1.5 mm²; Cable sheath: Ø 4.5...10 mm; Cable gland: M16 X 1.5

Connection



Note : miniature fuse to IEC60127-2 sheet 1 ≤ 5 A fast acting

Diagrams and graphs

excess gain graph

