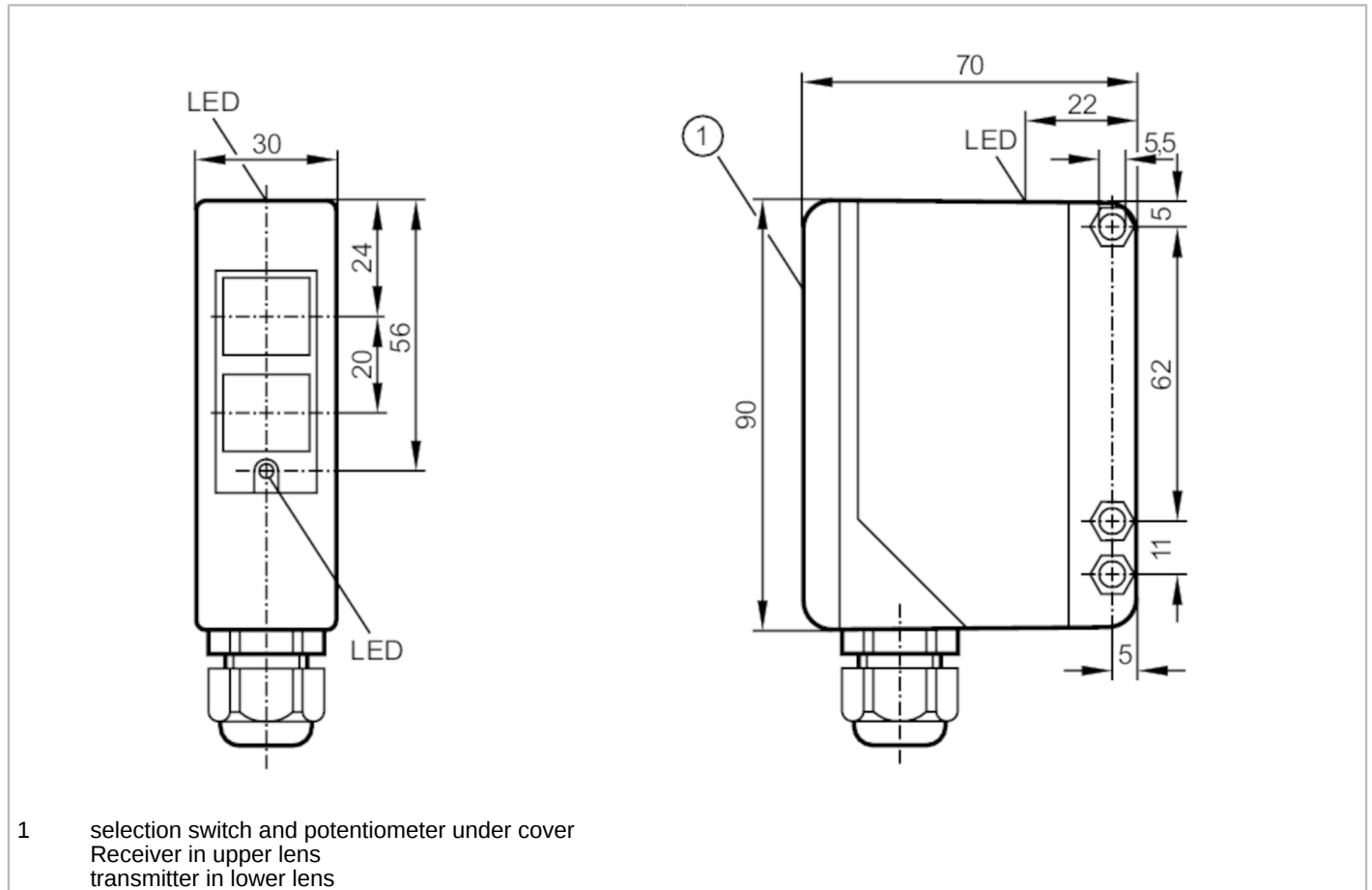


# OA0104



## Retro-reflective sensor

OAR-FKOA



### Product characteristics

Type of light	Infrared light
Housing	rectangular

### Application

Function principle	Retro-reflective sensor
--------------------	-------------------------

### Electrical data

Frequency AC	[Hz]	47...63
Operating voltage	[V]	20...250 AC/DC
Max. power consumption	[VA]	2
Protection class		II
Reverse polarity protection		no
Type of light		Infrared light
Wave length	[nm]	880

### Outputs

Electrical design		Relay
Output function		light-on/dark-on mode; (programmable)
Contact rating		250 V AC / 3 A / 360 VA, 125 V DC / 3 A / 30 W
Switching frequency AC	[Hz]	10
Switching frequency DC	[Hz]	10

# OA0104



## Retro-reflective sensor

OAR-FKOA

Short-circuit proof	no	
Overload protection	no	
<b>Monitoring range</b>		
Range referred to prismatic reflector [m]	0.25...10; (Prismatic reflector Ø 80 E20005)	
Range adjustable	yes	
Max. light spot diameter [mm]	350	
Light spot dimensions refer to	at maximum range	
<b>Operating conditions</b>		
Ambient temperature [°C]	-25...60	
Protection	IP 65	
<b>Tests / approvals</b>		
EMC	EN 60947-5-2	
	EN 55011	class B
MTTF [years]	288	
<b>Mechanical data</b>		
Weight [g]	299.5	
Housing	rectangular	
Dimensions [mm]	90 x 30 x 70	
Material	PPO modified	
Lens material	PMMA	
Lens alignment	Side sensing	
<b>Displays / operating elements</b>		
Display	Switching status	1 x LED, yellow
	Power	1 x LED, green
	Function	1 x LED, red
<b>Electrical connection</b>		
Required protection	miniature fuse to IEC60127-2 sheet 1; ≤ 5 A; fast acting	
<b>Accessories</b>		
Items supplied	Angle bracket: 1, E20514 screwdrivers	
<b>Remarks</b>		
Remarks	Recommendation: check the unit for reliable function after a short circuit.	
Pack quantity	1 pcs.	



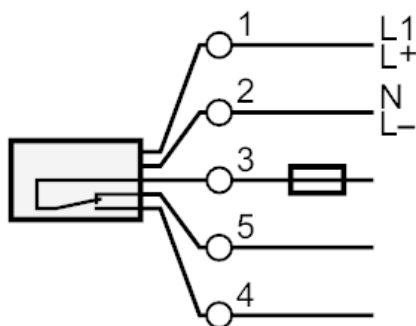
## Retro-reflective sensor

OAR-FKOA

### Electrical connection

terminals: ...1.5 mm<sup>2</sup>; Cable sheath: Ø 4.5...10 mm; Cable gland: M16 X 1.5

### Connection



Note : miniature fuse to IEC60127-2 sheet 1 ≤ 5 A fast acting

### Diagrams and graphs

excess gain graph

