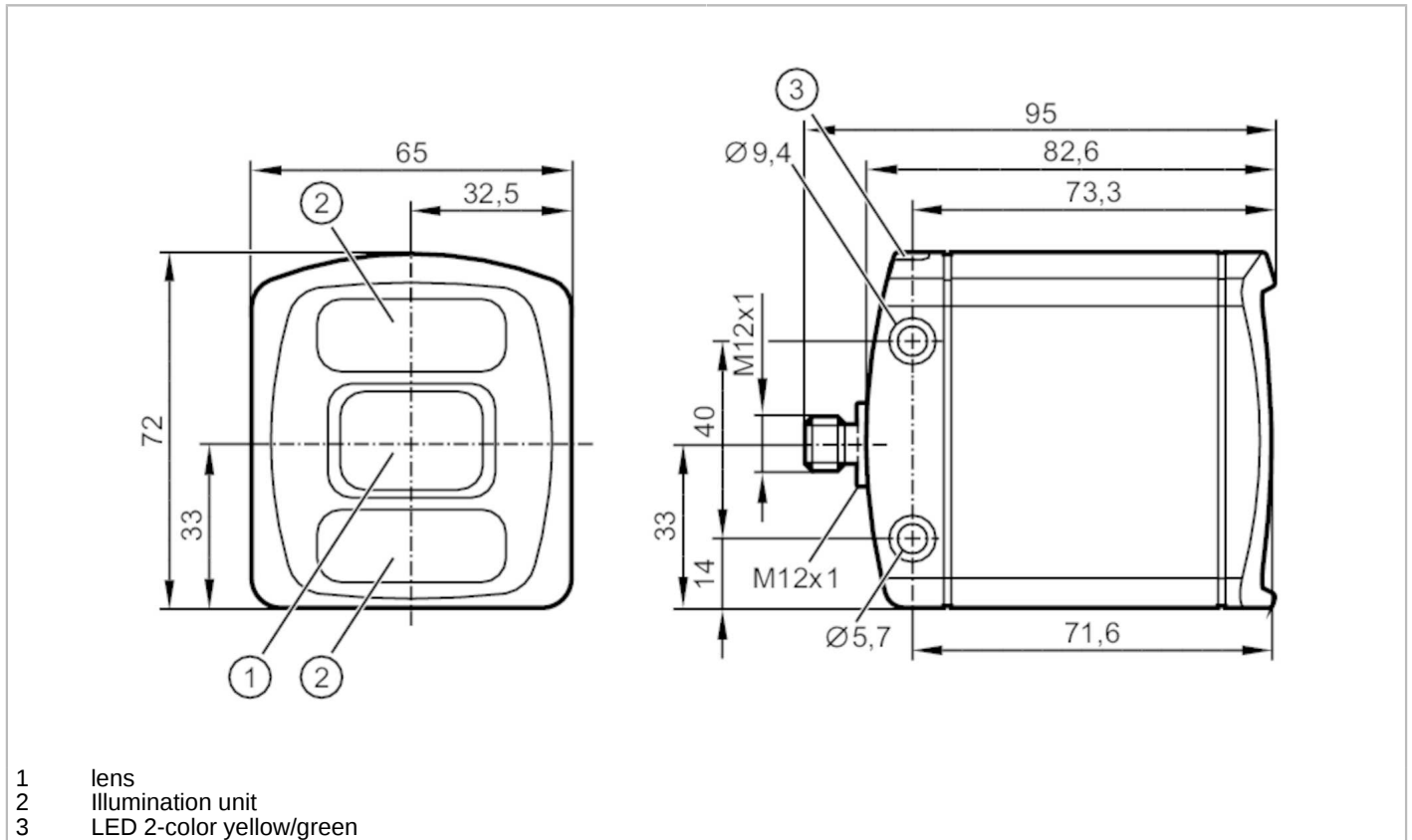


O3DP23



3D camera

O3DIRDKG/CAN/E1/GM/S/60/PDS



- 1 lens
- 2 illumination unit
- 3 LED 2-color yellow/green



Product characteristics

Image resolution 3D	[px]	352 x 264
Angle of aperture 3D	[°]	60 x 45

Application

Application	detection of pallets
-------------	----------------------

Electrical data

Operating voltage	[V]	20.4...28.8 DC; (EN 61131-2)
Current consumption	[mA]	420
Max. current consumption	[mA]	1600
Power consumption	[W]	10
Protection class		III
Image sensor		PMD 3D ToF-Chip
Integrated lighting		yes; (infrared: 850 nm invisible radiation LED)
Switch-on peak current	[mA]	2400

Monitoring range

Operating distance	[mm]	1000...2000
Image resolution 3D	[px]	352 x 264
Angle of aperture 3D	[°]	60 x 45

Software / programming

Parameter setting options	via PC with ifm Vision Assistant or XML-RPC
---------------------------	---

O3DP23



3D camera

O3DIRDKG/CAN/E1/GM/S/60/PDS

Interfaces		
Communication interface	Ethernet; CAN	
CAN		
Protocol	CANopen	
Factory settings	Baud rate: 125 k node ID: 32	
Ethernet		
Number of Ethernet interfaces	1	
Transmission standard	10Base-T; 100Base-TX	
Transmission rate	10; 100	
Protocol	TCP/IP	
Factory settings	IP address: 192.168.0.69 subnet mask: 255.255.255.0 gateway IP address: 192.168.0.201	
Operating conditions		
Ambient temperature [°C]	-10...50	
Storage temperature [°C]	-40...85	
Protection	IP 65; IP 67	
Max. immunity to extraneous light [klx]	8; (with reduced measuring accuracy and repeatability: < 100)	
Tests / approvals		
EMC	DIN EN 61000-6-4	radiation of interference / industrial environments
	DIN EN 61000-6-2	noise immunity / industrial environments
Shock resistance	DIN EN 60068-2-27	50 g / (11 ms) not repetitive
	DIN EN 60068-2-27	40 g / (6 ms) repetitive
Vibration resistance	DIN EN 60068-2-6	2 g / (10...150 Hz)
	DIN EN 60068-2-64	2.3 g RMS / (10...500 Hz)
Photobiological safety	exempt group; (DIN EN 62471)	
Electrical safety	DIN EN 61010-2-201	electrical supply only via PELV circuits
Mechanical data		
Weight [g]	764.3	
Dimensions [mm]	72 x 65 x 82.6	
Material	housing: diecast aluminium; front lens: Gorilla Glass; Function display: PA	
Displays / operating elements		
Display	Function	2 x LED, green Ethernet Power
	Switching status	2 x LED, yellow OUT 1 OUT 2
Accessories		
Items supplied	spring washers	
Remarks		
Pack quantity	1 pcs.	

O3DP23



3D camera

O3DIRDKG/CAN/E1/GM/S/60/PDS

Electrical connection - Ethernet

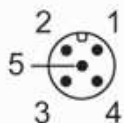
Connector: 1 x M12; coding: D



1	TD +
2	RD +
3	TD -
4	RD -

Electrical connection - Process connection

Connector: 1 x M12; coding: A



1	CAN Shield
2	U+
3	GND
4	CAN_H
5	CAN_L

Other data

Field of view size

Measuring range / distance [m]	Length [m]	Width [m]
0.50	0.40	0.56
1.00	0.80	1.13
2.00	1.60	2.26
3.00	2.40	3.39
4.00	3.20	4.52