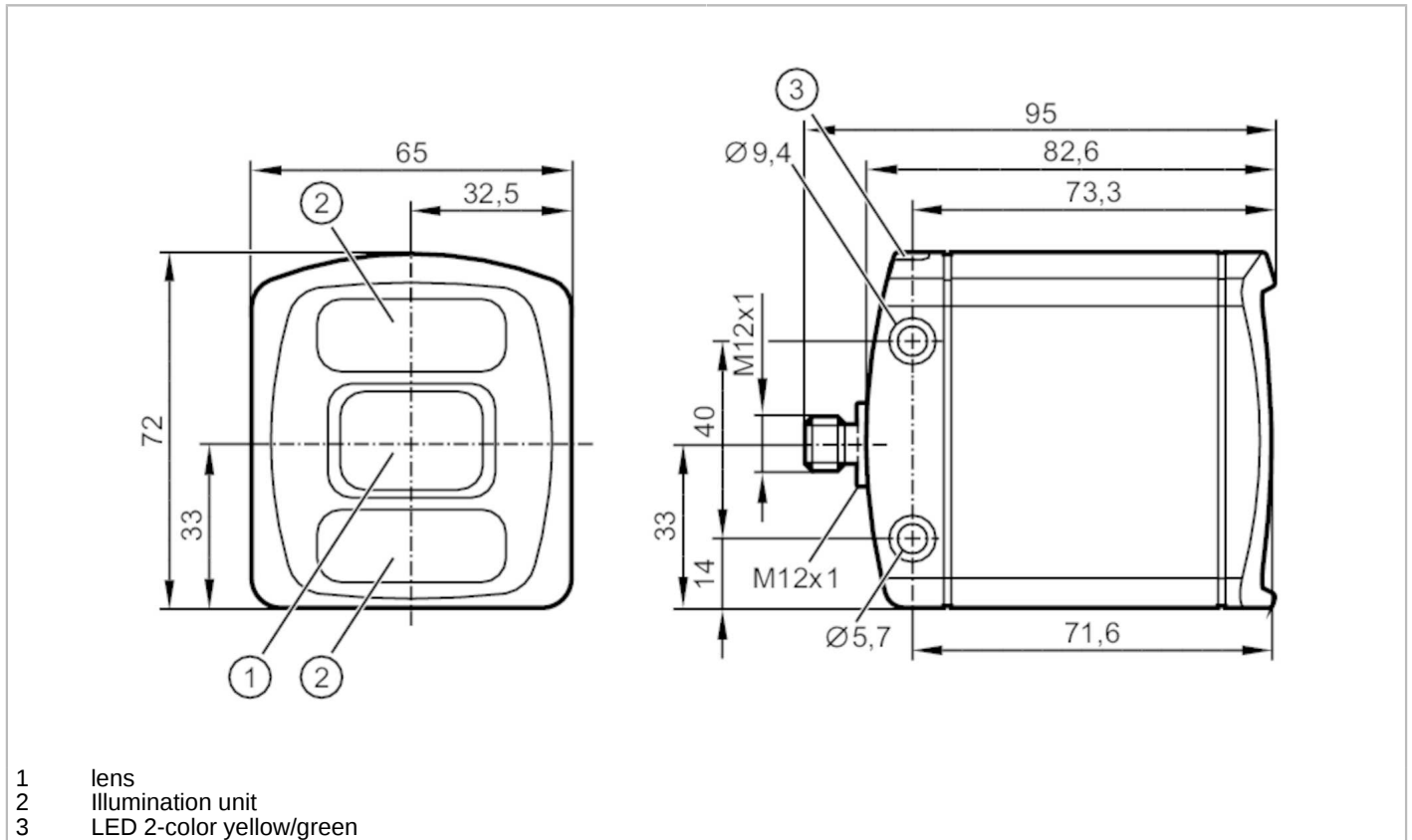


O3DP03



3D camera

O3DIRDKG/E1/GM/SI/60/PDS



- 1 lens
- 2 illumination unit
- 3 LED 2-color yellow/green



Product characteristics

| | | |
|----------------------|------|-----------|
| Image resolution 3D | [px] | 352 x 264 |
| Angle of aperture 3D | [°] | 60 x 45 |

Application

| | |
|-------------|----------------------|
| Application | detection of pallets |
|-------------|----------------------|

Electrical data

| | | |
|--------------------------|------|---|
| Operating voltage | [V] | 20.4...28.8 DC; (EN 61131-2) |
| Current consumption | [mA] | 420 |
| Max. current consumption | [mA] | 1600 |
| Power consumption | [W] | 10 |
| Protection class | | III |
| Image sensor | | PMD 3D ToF-Chip |
| Integrated lighting | | yes; (infrared: 850 nm invisible radiation LED) |
| Switch-on peak current | [mA] | 2400 |

Monitoring range

| | | |
|----------------------|------|-------------|
| Operating distance | [mm] | 1000...2000 |
| Image resolution 3D | [px] | 352 x 264 |
| Angle of aperture 3D | [°] | 60 x 45 |

Software / programming

| | |
|---------------------------|---|
| Parameter setting options | via PC with ifm Vision Assistant or XML-RPC |
|---------------------------|---|

O3DP03



3D camera

O3DIRDKG/E1/GM/SI/60/PDS

| Interfaces | | |
|-----------------------------------|---|---|
| Communication interface | Ethernet | |
| Ethernet | | |
| Number of Ethernet interfaces | 1 | |
| Transmission standard | 10Base-T; 100Base-TX | |
| Transmission rate | 10; 100 | |
| Protocol | TCP/IP | |
| Factory settings | IP address: 192.168.0.69 subnet mask: 255.255.255.0 gateway IP address: 192.168.0.201 | |
| Operating conditions | | |
| Ambient temperature | [°C] | -10...50 |
| Storage temperature | [°C] | -40...85 |
| Protection | IP 65; IP 67 | |
| Max. immunity to extraneous light | [klx] | 8; (with reduced measuring accuracy and repeatability: < 100) |
| Tests / approvals | | |
| EMC | DIN EN 61000-6-4 | radiation of interference / industrial environments |
| | DIN EN 61000-6-2 | noise immunity / industrial environments |
| Shock resistance | DIN EN 60068-2-27 | 50 g / (11 ms) not repetitive |
| | DIN EN 60068-2-27 | 40 g / (6 ms) repetitive |
| Vibration resistance | DIN EN 60068-2-6 | 2 g / (10...150 Hz) |
| | DIN EN 60068-2-64 | 2.3 g RMS / (10...500 Hz) |
| Photobiological safety | exempt group; (DIN EN 62471) | |
| Electrical safety | DIN EN 61010-2-201 | electrical supply only via PELV circuits |
| Mechanical data | | |
| Weight | [g] | 767.95 |
| Dimensions | [mm] | 72 x 65 x 82.6 |
| Material | housing: diecast aluminium; front lens: Gorilla Glass; Function display: PA | |
| Displays / operating elements | | |
| Display | Function | 2 x LED, green Ethernet Power |
| | Switching status | 2 x LED, yellow OUT 1 OUT 2 |
| Accessories | | |
| Items supplied | spring washers | |
| Remarks | | |
| Pack quantity | 1 pcs. | |

O3DP03



3D camera

O3DIRDKG/E1/GM/S/60/PDS

Electrical connection - Ethernet

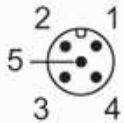
Connector: 1 x M12; coding: D



| | |
|---|------|
| 1 | TD + |
| 2 | RD + |
| 3 | TD - |
| 4 | RD - |

Electrical connection - Process connection

Connector: 1 x M12; coding: A



| | |
|---|-----|
| 1 | U+ |
| 2 | nc |
| 3 | GND |
| 4 | nc |
| 5 | nc |

Other data

Field of view size

| Measuring range / distance [m] | Length [m] | Width [m] |
|--------------------------------|------------|-----------|
| 0.50 | 0.40 | 0.56 |
| 1.00 | 0.80 | 1.13 |
| 2.00 | 1.60 | 2.26 |
| 3.00 | 2.40 | 3.39 |
| 4.00 | 3.20 | 4.52 |