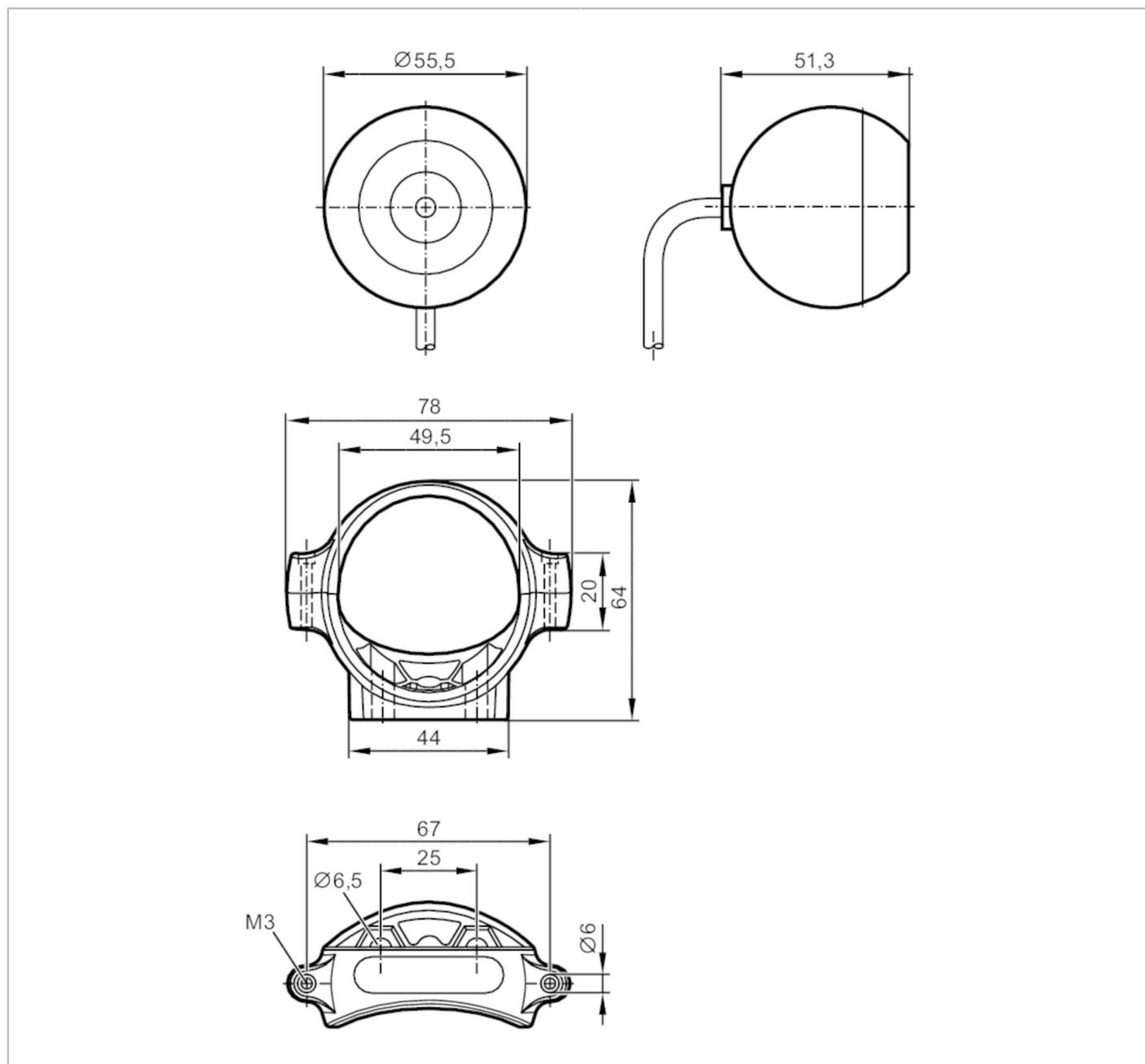


# O2M203



## Analog camera for mobile machines

O2MXOOKG/A1/GM/115/M



### Product characteristics

Image resolution	[px]	640 x 480
Angle of aperture	[°]	118 x 89

### Application

System	screened cable
Application	Integrated mirror function

### Electrical data

Operating voltage	[V]	12...32 DC
Current consumption	[mA]	< 280; (with lens heating)
Overvoltage protection		yes

# O2M203



## Analog camera for mobile machines

O2MXOOKG/A1/GM/115/M

Image sensor	1/4" 4:3 VGA CMOS image sensor color		
Switch-on peak current [mA]	700		
Switch-on peak current duration [ms]	2		

### Outputs

Video output	PAL (25 fps interlace) 720H x 576V (640 x 480), 1 Vtt / 75 Ω		
--------------	--	--	--

### Monitoring range

Field of view size [mm]	Operating distance	Field of view		
	1000	3330 x 1970		
	2000	6660 x 3930		
	3000	9990 x 5900		
	4000	13310 x 7860		
	5000	16640 x 9830		
Image resolution [px]	640 x 480			
Angle of aperture [°]	118 x 89			
Light sensitivity [LUX]	< 0.05			
Dynamic range [dB]	> 80			

### Operating conditions

Ambient temperature [°C]	-40...85		
Storage temperature [°C]	-40...100		
Protection	IP 67; IP 69K		

### Tests / approvals

EMC	DIN EN 61000-6-4	industrial environments
	DIN EN 61000-6-2	industrial environments
	UN-ECE R10	
Shock resistance	50 g	
Vibration resistance	Frequency range 24...2000 Hz	(15.3 x 9.81 m/s <sup>2</sup> )rms
	PSD (g <sup>2</sup> /Hz)	0.04...0.1
Salt spray test	IEC 60068-5-52	

### Mechanical data

Weight [g]	313		
Dimensions [mm]	Ø 55.5 / L = 51.3		
Material	housing: PC/ABS; front lens: polyamide reinforced glass-fiber		

### Accessories

Items supplied	Mounting set:, E2M210		
	screws: 2 x M6 x 20		
	washers		
	Nuts: 2 x M6, self-locking		
	anti-slide pad		

### Remarks

Pack quantity	1 pcs.		
---------------	--------	--	--

# O2M203



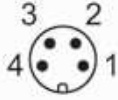
## Analog camera for mobile machines

O2MXOOKG/A1/GM/115/M

### Electrical connection

Cable: 0.5 m

Connector: 1 x M16; coding: A; Shielded connection cable: yes



1	coax cable core video signal
2	coax screen video GND
3	U+
4	0 V